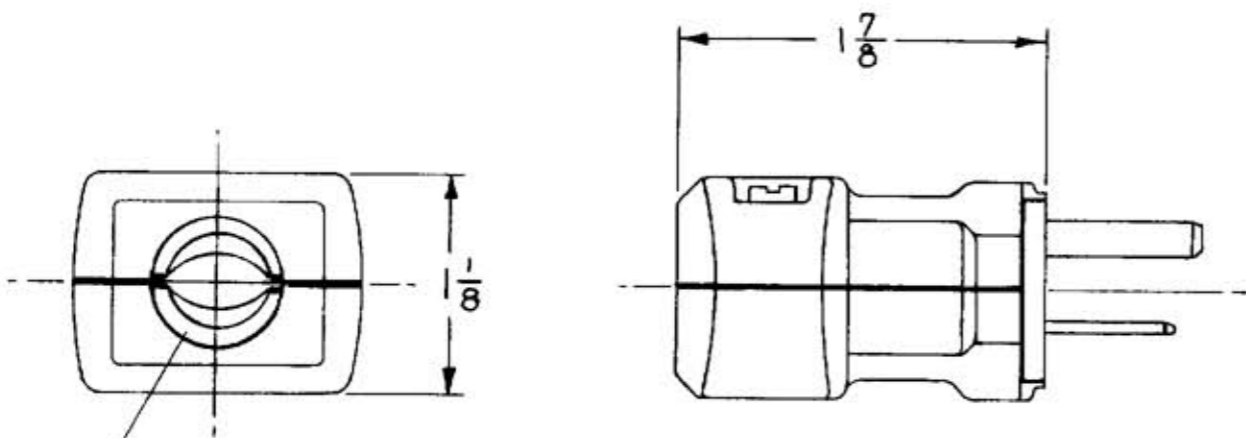
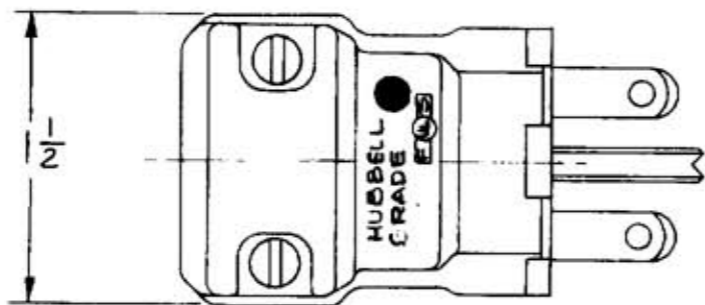
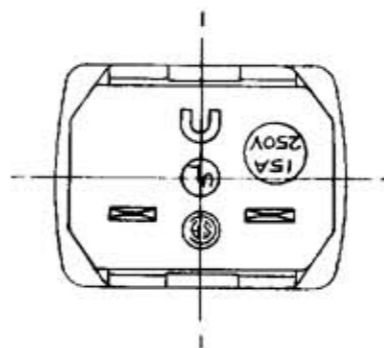


M-6102 2



CORD CLAMP RANGE $7/32 - 29/64$ DIA. WITH INSERTS
AND $29/64 - 21/32$ DIA. WITHOUT INSERTS



LIST OF PARTS

| DESCRIPTION | MATERIAL | FINISH |
|------------------|----------|--------------|
| HOUSING | NYLON | WHITE |
| CONTACT BLADES | BRASS | |
| WIRE CLAMPS | STEEL | NICKEL PL |
| BINDING SCREWS | ST. ST. | |
| HEX BIND'G SCREW | ST. ST. | GREEN |
| CORD CLAMP SCRS. | STEEL | YELLOW CHRO. |
| INSERT | NORYL | BLACK |
| | | |
| | | |
| | | |
| | | |
| | | |
| | | |
| | | |
| | | |
| | | |

REPAIRABLE NON-REPAIRABLE

| REV | REVISIONS | APP | DATE |
|-----|---|--------|-------------------|
| 2 | ADDED PAD. & MARKING HUBBELL GRADE 15A 250V HEX BIND. & BINDING SCREW MATERIAL WAS STEEL | 9/1/86 | 9-28-86 K.F.C. |
| 1 | INSERT MATL. WAS NYLON REVERSED HOSPITAL GRADE MARKING ADDED | | 3-13-90 |

B
M-6102

TITLE
HOSPITAL GRADE 15A.250V.
3 WIRE DEAD FRONT
NYLON VALISE PLUG

TOLERANCES UNLESS
OTHERWISE SPECIFIED
FRACTIONS $\pm 1/64$
DECIMALS $\pm .005$
ANGLES $\pm 2^\circ$

HARVEY HUBBELL, INC.
BRIDGEPORT, CONN.
DR. BY K.F. APP. BY _____
TR. BY _____ SCALE FULL
CHK'D. BY _____ DATE 10-5-77