

Twist-Lock® Devices



20 Amp, 3ØY 120/208, 277/480 and 347/600 Volts AC
4 Pole, 5 Wire, Grounding



20A 3ØY 120/208V AC NEMA L21-20R 2 HP	20A 3ØY 277/480V AC NEMA L22-20R 5 HP	20A 3ØY 347/600V AC NEMA L23-20R
---	---	-------------------------------------

Connector Bodies

Watertight Safety-Shroud®		IP66 SUITABILITY	UL Type 4x, 12	
Description	Cord Dia.	Catalog Number		
Black Valox® housing, white Valox® clamps.	.350"-1.150" (9-29)	HBL2513SW	-	-

Insulgrip®		IP20 SUITABILITY		
Description	Cord Dia.	Catalog Number		
Black and white nylon.	.350"-1.150" (9-29)	HBL2513	HBL2523	HBL2533
All black nylon.	.350"-1.150" (9-29)	HBL2513BK	-	-
Corrosion resistant, yellow nylon.	.350"-1.150" (9-29)	HBL25CM13	-	-
Black and white for flat cable.	.350"-1.150" (9-29)	HBL2513FC	-	-

Note: See page B-54 for accessories.



HBL2513SW



HBL2513

Receptacles

Watertight Safety-Shroud®		IP66 SUITABILITY	UL Type 4x, 12	
Description	Catalog Number			
Gray Valox® housing and flange, back wired.	HBL2510SW	-	-	-

Note: See page B-56 for accessories.

Safety-Shroud® Twist-Lock®		IP20 SUITABILITY		
Description	Catalog Number			
Gray Valox® angle housing, one gang, back wired.	HBL2510AR	-	-	-
Gray Valox® surface mounting, one gang, back wired.	HBL2510SR	-	-	-
Gray Valox® semi-flush, two gang, back wired.	HBL2510SR2	-	-	-



HBL2510SW

Single Flush Receptacles		IP20 SUITABILITY		
Description	Catalog Number			
Black nylon face, back and side wired.	HBL2510	HBL2520*	HBL2530*	
Isolated ground, orange nylon face, back and side wired.	IG2510	-	-	

Note: See page B-54 for accessories.
 *Not Fed Spec.



HBL2510AR

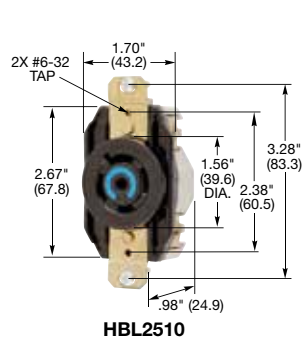
Insulgrip® Flanged Receptacles

Description	Catalog Number			
Nylon casing, back wired.	HBL2516	HBL2526	HBL2536	

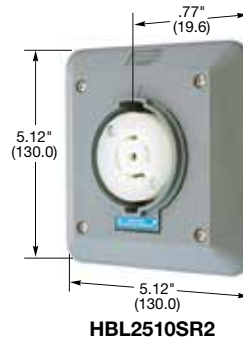
Note: See page B-54 for accessories.



HBL2516



HBL2510



HBL2510SR2



HBL2510SR

Valox® is a trademark of SABIC Innovative Plastics, acquired from General Electric Company.

Dimensions in Inches (mm)