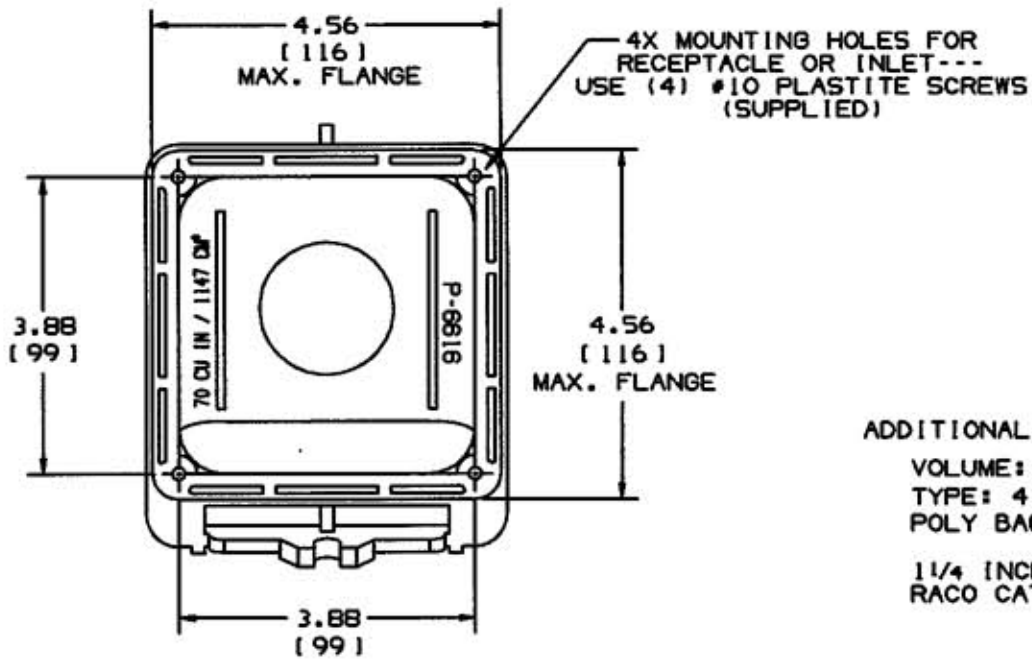
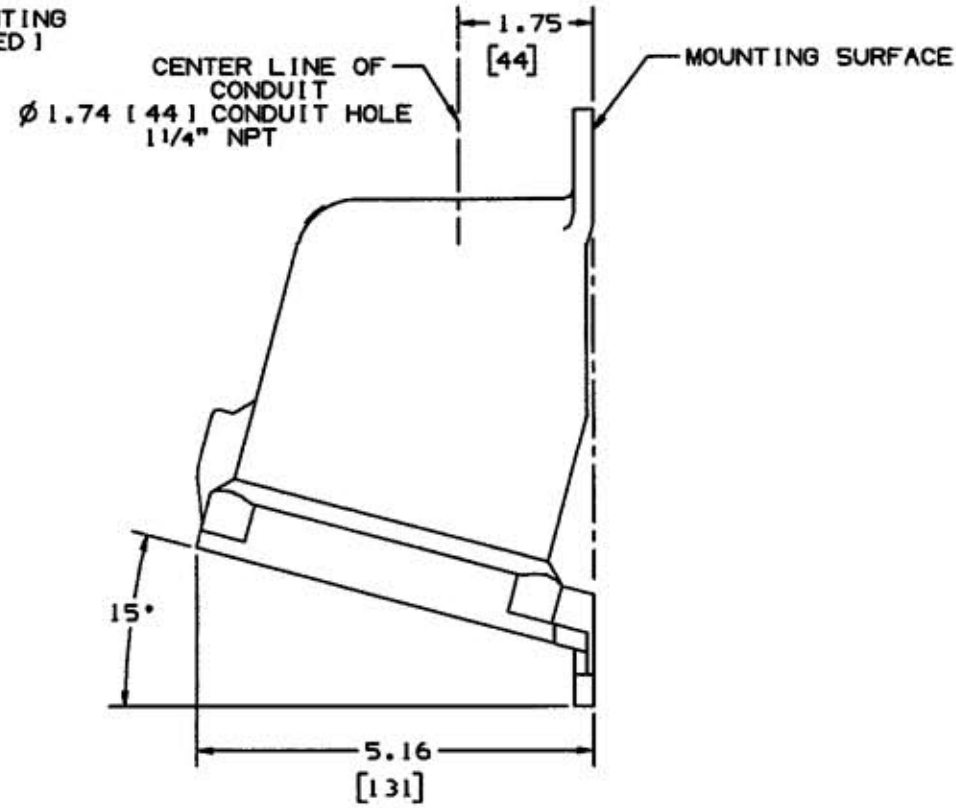
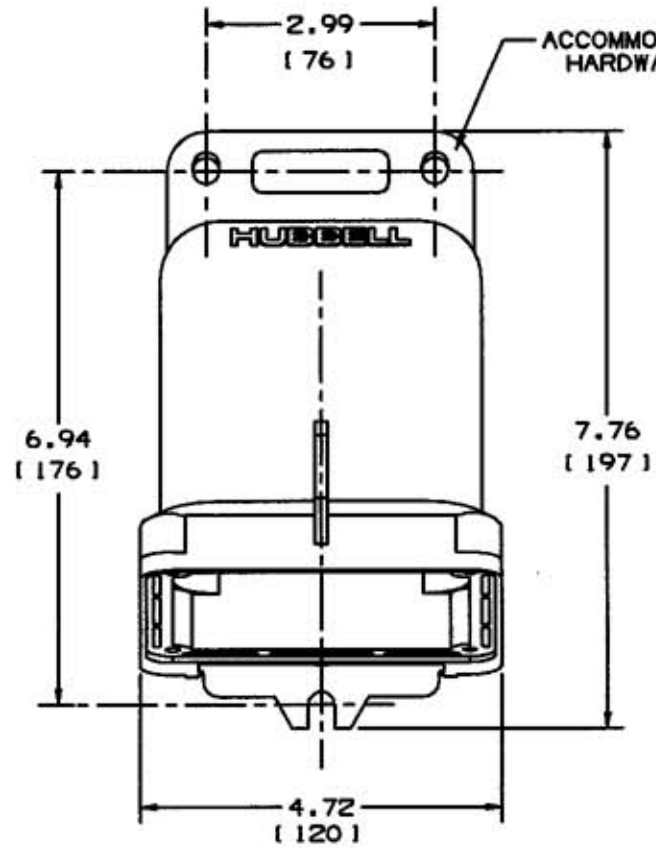


M-7324 3



ADDITIONAL INFORMATION:
 VOLUME: 70 CUBIC INCHES/1147CM³
 TYPE: 4, 4X, 12 ENCLOSURE
 POLY BAG CONTAINS: GROUND PLATE, (2) GROUND SCREWS & (4) #10 PLASTITE SCREWS
 1 1/4 INCH CONDUIT HUB NOT SUPPLIED: ORDER RACO CAT. NO. 1705

LIST OF PARTS

DESCRIPTION	MATERIAL	FINISH
BACK BOX - 60AMP	PBT	GRAY
(2) GROUND SCREWS	STEEL	GREEN
GROUND PLATE	STEEL	PRE-PLATED GALV.
(4) MOUNTING SCREWS	ST STL	PASSIVATED

SYM	REVISIONS	APP	DATE
3	ADDED CAT. NO. TO TITLE PER DCN #7793. AMZ	DB	7/28/00
2	ADDED NOTE "1 1/4 INCH CONDUIT HUB NOT SUPPLIED. ORDER RACO CAT. NO. 1705 PER DCN 3669 JVO	JLS	7/21/95
1	"X" REMOVED; LAST "X" REVISION WAS "X-0" PER DCN #3105 RCM	JLS	10/10/94

THE DESIGN AND DIMENSIONS OF THE PRODUCT SHOWN ON THIS DRAWING ARE SUBJECT TO CHANGE WITHOUT NOTICE

TITLE
 BB60N
 BACK BOX, 60 AMP

TOLERANCES UNLESS OTHERWISE SPECIFIED FRACTIONS ± 1/64 DECIMALS ± .005 ANGLES ± 2'	WIRING DEVICE-KELLEMS HUBBELL INCORPORATED BRIDGEPORT, CT	
	DR. BY JLS	APP. BY JLS
	TR. BY	SCALE NONE
	CHK'D BY TCM	DATE 9-27-94

DIMENSION SHEET FOR CAT. NO. BB60N
 REPAIRABLE NON-REPAIRABLE
 B M-7324 3