

# BRYANT®

## Heavy Duty Specification Grade Receptacles

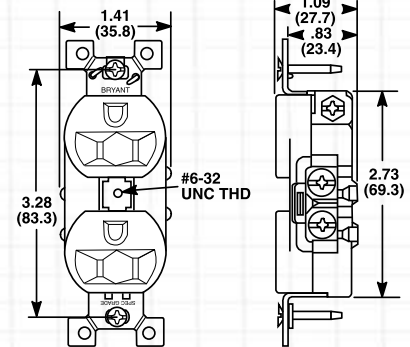
- Rounded-face is molded of high-impact, chemical-resistant nylon
- Heavy-duty wraparound steel yoke
- Terminal screws: brass combination Phillips/slotted/Robertson binding head accepts up to #10 wire
- Back wiring: eight wiring pockets for convenient feed-thru wiring, clamp-type terminals accepts up to #10 wire
- Approved for CU wire only
- Large green, combination Phillips/slotted/Robertson hex head backed out and staked for easy wiring
- Easily accessible break-off tab for two-circuit wiring
- Self-grounding strap for quick installation
- One-piece triple-wipe brass line contacts
- Double-wipe brass grounding contacts
- UL listed File #E2258 – Guide #RTRT
- CSA Certified File #LR16215 – Guide #365E1
- Complies with NEMA Standards WD-1, WD-6 and UL 498
- Fed Spec. Wc 596
- NOM



### Duplex Receptacles



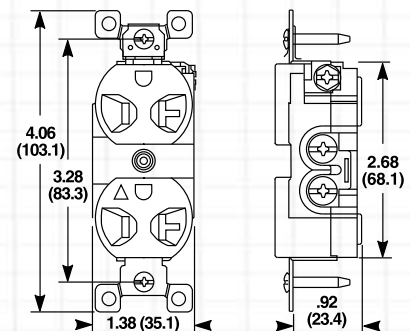
Color	15A	20A
Brown	5262BN	5362BN
White	5262BW	5362BW
Ivory	5262BI	5362BI
Gray	5262BGRY	5362BGRY
Black	5262BBLK	5362BBLK
Red	5262BRED	5362BRED
Almond	5262BAL	5362BAL



### Isolated Ground Duplex Receptacles (side Wire Only)



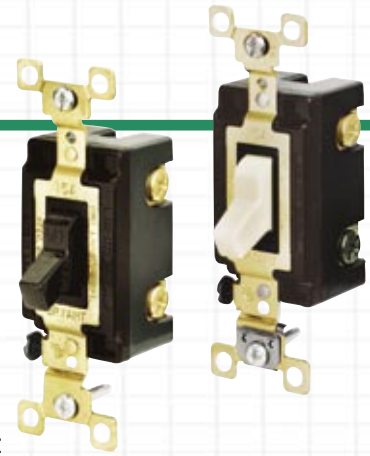
Color	15A	20A
Orange	CR15IG	CR20IG
Ivory	CR15IGI	CR20IGI
Gray	CR15IGRY	CR20IGRY
White	CR15IGW	CR20IGW



# BRYANT®

## Heavy Duty Specification Grade Toggle Switches

- AC – general use snap switches are designed for controlling as permitted by the NEC, resistive, inductive, tungsten-filament, fluorescent and motor loads for AC branch lighting and appliance circuits
- Terminal screws: combination Phillips/slotted/Robertson binding head, accepts up to #10 wire.
- Approved for CU wire only
- Integral green, combination Phillips/slotted/Robertson hex head grounding screws provided
- Thread cleaning captive combination Phillips/slotted/Robertson mounting screws
- Nylon toggle
- Silver Cadmium oxide contacts
- One-piece copper-alloy contact arm for excellent conductivity
- High impact/chemical resistant rocker and coil compression spring for smooth, quiet action
- UL listed File #E1464 – Guide #WMUZ
- CSA Certified File #LR375 – Guide #380-W-19.7
- Complies with UL 20 and NEMA Standard WD-1
- NOM



### Duplex Receptacles

	Color	Single Pole	Three Way	Four Way
<b>15 AMP</b> 	Brown	<b>4801B</b>	<b>4803B</b>	-
	White	<b>4801BW</b>	<b>4803BW</b>	-
	Ivory	<b>4801BI</b>	<b>4803BI</b>	-
	Gray	<b>4801BGRY</b>	<b>4803BGRY</b>	-
	Black	<b>4801BBLK</b>	<b>4803BBLK</b>	-
	Red	<b>4801BRED</b>	<b>4803BRED</b>	-
	Almond	<b>4801BAL</b>	<b>4803BAL</b>	-
<b>20 AMP</b> 	Brown	<b>4901B</b>	<b>4903B</b>	<b>4904B</b>
	White	<b>4901BW</b>	<b>4903BW</b>	<b>4904BW</b>
	Ivory	<b>4901BI</b>	<b>4903BI</b>	<b>4904BI</b>
	Gray	<b>4901BGRY</b>	<b>4903BGRY</b>	<b>4904BGRY</b>
	Black	<b>4901BBLK</b>	<b>4903BBLK</b>	<b>4904BBLK</b>
	Red	<b>4901BRED</b>	<b>4903BRED</b>	<b>4904BRED</b>
	Almond	<b>4901BAL</b>	<b>4903BAL</b>	<b>4904BAL</b>

