

[®]
WESTWARD



TOP CHEST

Models : 49NR84 / 49NR85

49NR86 / 49NR87

PLEASE READ AND SAVE THESE INSTRUCTIONS. READ CAREFULLY BEFORE ATTEMPTING TO ASSEMBLE, INSTALL, OPERATE OR MAINTAIN THE PRODUCT DESCRIBED.

PROTECT YOURSELF AND OTHERS BY OBSERVING ALL SAFETY INFORMATION. FAILURE TO COMPLY WITH INSTRUCTIONS COULD RESULT IN PERSONAL INJURY AND/OR PROPERTY DAMAGE! RETAIN INSTRUCTIONS FOR FUTURE REFERENCE.

PLEASE REFER TO BACK COVER FOR INFORMATION REGARDING DAYTON'S WARRANTY AND OTHER IMPORTANT INFORMATION.

*Grainger, Inc.
All Rights Reserved*

UNPACKING

Steps:

1. When unpacking, please ensure the unit is upright.
2. Do not use any sharp objects to open the packaging.
3. After unpacking unit, inspect carefully for any damage that may have occurred during transit.
4. Check for loose, missing, or damaged parts.
5. Any shipping damage claim must be filed with the carrier.



- See General Safety Instructions on page 2, and Cautions and Warnings as shown.

GENERAL SAFETY INFORMATION

The Westward heavy top chest has a durable grey + red (black) finish and strong load capacity. The heavy top chest is equipped with full extension ball bearing slides, ensuring smooth functionality of all drawers, and round-shaped steel side

Each drawer can hold up to 250 Lbs (100kg)

The heavy top chest is ideal for mechanics, repairmen and garage owners interested in storing and organizing tools and parts.

CAUTION *Ensure the drawers are closed and locked completely before moving the chest.*
Keep the product on level surfaces. The product may become unstable and tip if stored or moved on an uneven surface, which may cause personal injury or product damage.

WARNING *Do not alter the product in any manner. Do not step or climb on the chest.*

Please open the lid first when opening the drawers, and be careful with the lid stops which may hurt you. Do not open more than one drawer at the same time. The chest may become unstable and tip. Please ensure the chest is locked prior to moving.

SPECIFICATIONS

Granger Items No.	Type	Description	No. of Drawers	Width	Depth	Height
49NR84	Heavy use	Top Chest,8 Drawer,42" x 25.7" Red	8	42" (1068mm)	25.7" (653mm)	24.8" (631mm)
49NR85	Heavy use	Top Chest,8 Drawer,42" x 25.7" Black	8	42" (1068mm)	25.7" (653mm)	24.8" (631mm)
49NR86	Heavy use	Top Chest,8 Drawer,54" x 25.7" Red	8	54" (1379mm)	25.7" (653mm)	24.8" (631mm)
49NR87	Heavy use	Top Chest,8 Drawer,54" x 25.7" Black	8	54" (1379mm)	25.7" (653mm)	24.8" (631mm)



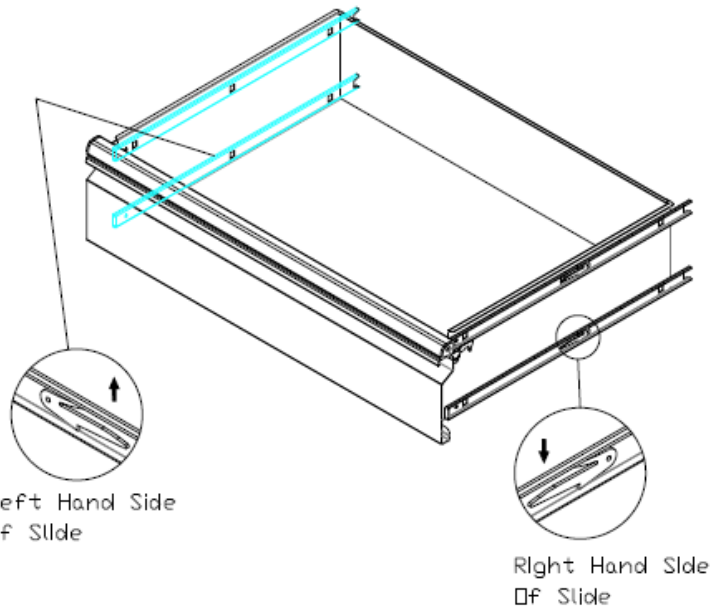


OPERATION FOR DRAWER

To remove the drawer:

To remove drawers, release the retaining clip by pushing the lever up on one side and down on the other side simultaneously

Then pull the drawer out.



To install the drawer:

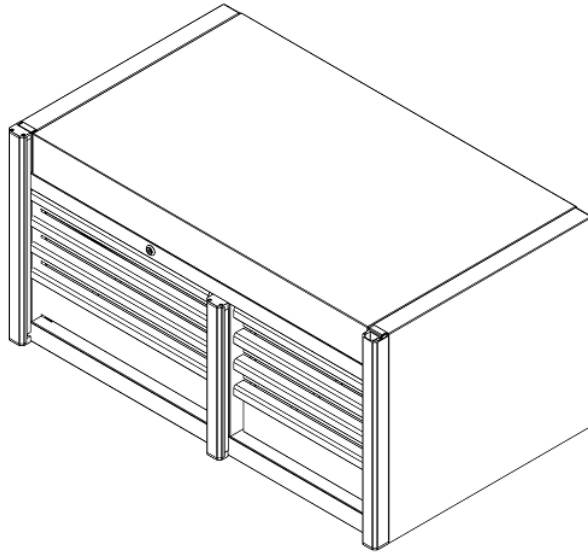
Extend the drawer slides from the Chest. Insert the brackets on each side of the drawer into the slots in the chest slides, being careful that they are properly positioned. Once properly inserted, completely close the drawer to set the slides in their proper positions.

MAINTENANCE

Lubricate the lock with graphite annually. Lubricate the ball bearing slides with grease twice annually.

Periodically clean the drawer fronts, drawer trim, and other surfaces with mild detergent and water.

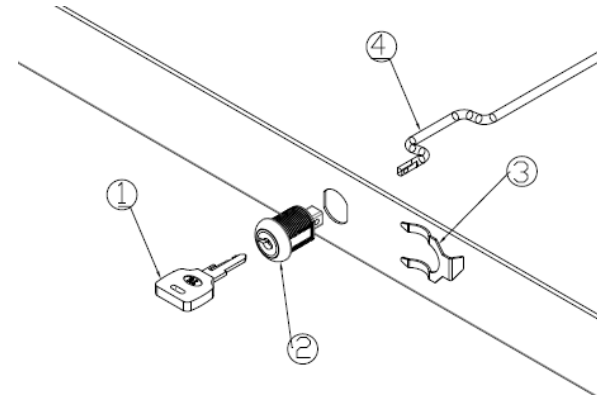


**REPAIR PARTS ILLUSTRATION FOR 49NR84/49NR85
49NR86/49NR87**

For Repair Parts, call 1-800-323-0620
24 hours a day – 365 days a year

Please provide following information:

- Model number
- Serial number (if any)
- Part description and number as shown in parts list

**KEY REPLACEMENT FOR 49NR84/49NR85
49NR86/49NR87**

To remove lock and keyset:

1. Remove all drawers for easy lock removal and installation.
2. Remove spring clip (3) using hand tool, eg: pinchers.
3. Pull out the whole central lock including key (1), lock (2), and central locking bar (4).
4. Insert the new lock key (1) and lock (2) in to the lock combination and replace the bolt.
5. Insert the lock assembly into the cabinet and connect it with the central locking bar, then replace the locking ring. Re-install the drawers.

Warranty

LIMITED ONE-YEAR WARRANTY

Should this product fail to perform satisfactorily due to a defect or poor workmanship within ONE YEAR from the date of purchase, return it to the place of purchase and it will be replaced, free of charge. Incidental or consequential damages are excluded from this warranty.



REPAIR PARTS LIST

Ref.No.	Part No.	Description	Q'ty
1	07-15-2	One Lock set and Two Key for(For 49NR84/49NR85/49NR86/49NR87)	1 pair
2	13-22F	Ball bearing slides (For 49NR84/49NR85/49NR86/49NR87)	1 pair
3	15-ACA-A421081	Gas lift (For 49NR84/49NR85/49NR86/49NR87)	1 pair
4	15-AC757101	Gas lift (For 49NR84/49NR85/49NR86/49NR87)	1 pair

Getting Started

Safety / Specification

assembly / installation

operation

Trouble Shooting

maintenance / repair

Getting Started

Safety / Specification

assembly / installation

operation

trouble Shooting

maintenance / repair

WESTWARD ONE-YEAR LIMITED WARRANTY

WESTWARD ONE-YEAR LIMITED WARRANTY. ALL WESTWARD® PRODUCT MODELS COVERED IN THIS MANUAL COVERED BY THIS LIMITED WARRANTY ARE WARRANTED BY W.W. GRAINGER, INC. ("GRAINGER") TO THE ORIGINAL USER AGAINST DEFECTS IN WORKMANSHIP OR MATERIALS UNDER NORMAL USE FOR ONE YEAR AFTER DATE OF PURCHASE. IF THE PRODUCT IS PART OF A SET, ONLY THE PORTION THAT IS DEFECTIVE IS SUBJECT TO THIS WARRANTY. ANY PRODUCT OR PART WHICH IS DETERMINED TO BE DEFECTIVE IN MATERIAL OR WORKMANSHIP AND RETURNED TO AN AUTHORIZED SERVICE LOCATION, AS GRAINGER OR GRAINGER'S DESIGNEE DESIGNATES, SHIPPING COSTS PREPAID, WILL BE, AS THE EXCLUSIVE REMEDY, REPAIRED OR REPLACED WITH A NEW OR RECONDITIONED PRODUCT OR PART OF EQUAL UTILITY OR A FULL REFUND GIVEN AT GRAINGER'S OR GRAINGER'S DESIGNEE'S OPTION, AT NO CHARGE. FOR LIMITED WARRANTY CLAIM PROCEDURES, SEE "WARRANTY SERVICE" BELOW.

COVERED PRODUCTS. THIS LIMITED WARRANTY COVERS THE PRODUCT MODEL(S) IDENTIFIED IN THIS MANUAL. THIS LIMITED WARRANTY DOES NOT COVER NORMAL WEAR AND TEAR OF PRODUCTS OR PORTIONS OF THEM, OR PRODUCTS OR PORTIONS OF THEM WHICH ARE CONSUMABLE IN NORMAL USE. THIS WARRANTY IS VOID IF THERE IS EVIDENCE OF MISUSE, MISREPAIR, MISINSTALLATION, ABUSE OR ALTERATION.

WARRANTY DISCLAIMERS AND LIMITATIONS OF LIABILITY RELATING TO ALL CUSTOMERS FOR ALL PRODUCTS

LIMITATION OF LIABILITY. TO THE EXTENT ALLOWABLE UNDER APPLICABLE LAW, GRAINGER'S LIABILITY FOR CONSEQUENTIAL AND INCIDENTAL DAMAGES IS EXPRESSLY DISCLAIMED. GRAINGER'S LIABILITY IN ALL EVENTS IS LIMITED TO AND SHALL NOT EXCEED THE PURCHASE PRICE PAID.

WARRANTY DISCLAIMER. A DILIGENT EFFORT HAS BEEN MADE TO PROVIDE PRODUCT INFORMATION AND ILLUSTRATE THE PRODUCTS IN THIS LITERATURE ACCURATELY; HOWEVER, SUCH INFORMATION AND ILLUSTRATIONS ARE FOR THE SOLE PURPOSE OF IDENTIFICATION, AND DO NOT EXPRESS OR IMPLY A WARRANTY THAT THE PRODUCTS ARE MERCHANTABILITY, OR FIT FOR A PARTICULAR PURPOSE, OR THAT THE PRODUCTS WILL NECESSARILY CONFORM TO THE ILLUSTRATIONS OR DESCRIPTIONS. EXCEPT AS PROVIDED BELOW, NO WARRANTY OR AFFIRMATION OF FACT, EXPRESSED OR IMPLIED, OTHER THAN AS STATED IN THE "LIMITED WARRANTY" ABOVE IS MADE OR AUTHORIZED BY GRAINGER.

PRODUCT SUITABILITY. MANY JURISDICTIONS HAVE CODES AND REGULATIONS GOVERNING SALES, CONSTRUCTION, INSTALLATION, AND/OR USE OF PRODUCTS FOR CERTAIN PURPOSES, WHICH MAY VARY FROM THOSE IN NEIGHBORING AREAS. WHILE ATTEMPTS ARE MADE TO ASSURE THAT PRODUCTS COMPLY WITH SUCH CODES, GRAINGER CANNOT GUARANTEE COMPLIANCE, AND CANNOT BE RESPONSIBLE FOR HOW THE PRODUCT IS INSTALLED OR USED. BEFORE PURCHASE AND USE OF A PRODUCT, REVIEW THE SAFETY/SPECIFICATIONS, AND ALL APPLICABLE NATIONAL AND LOCAL CODES AND REGULATIONS, AND BE SURE THAT THE PRODUCT, INSTALLATION, AND USE WILL COMPLY WITH THEM.

CONSUMERS ONLY. CERTAIN ASPECTS OF DISCLAIMERS ARE NOT APPLICABLE TO CONSUMER PRODUCTS SOLD TO CONSUMERS; (A) SOME JURISDICTIONS DO NOT ALLOW THE EXCLUSION OR LIMITATION OF INCIDENTAL OR CONSEQUENTIAL DAMAGES, SO THE ABOVE LIMITATION OR EXCLUSION MAY NOT APPLY TO YOU; (B) ALSO, SOME JURISDICTIONS DO NOT ALLOW A LIMITATION ON HOW LONG AN IMPLIED WARRANTY LASTS, SO THE ABOVE LIMITATION MAY NOT APPLY TO YOU; AND (C) BY LAW, DURING THE PERIOD OF THIS LIMITED WARRANTY, ANY IMPLIED WARRANTIES OF MERCHANTABILITY OR FITNESS FOR A PARTICULAR PURPOSE APPLICABLE TO CONSUMER PRODUCTS PURCHASED BY CONSUMERS, MAY NOT BE EXCLUDED OR OTHERWISE DISCLAIMED.

THIS LIMITED WARRANTY GIVES YOU SPECIFIC LEGAL RIGHTS, AND YOU MAY ALSO HAVE OTHER RIGHTS WHICH VARY FROM STATE TO STATE.

THIS LIMITED WARRANTY ONLY APPLIES TO PRODUCTS PURCHASED BY UNITED STATES PURCHASERS FOR DELIVERY IN THE UNITED STATES.

WARRANTY SERVICE

TO OBTAIN WARRANTY SERVICE IF YOU PURCHASED THE COVERED PRODUCT DIRECTLY FROM GRAINGER, (I) WRITE OR CALL OR VISIT THE LOCAL GRAINGER BRANCH FROM WHICH THE PRODUCT WAS PURCHASED OR ANOTHER GRAINGER BRANCH NEAR YOU (SEE WWW.GRAINGER.COM FOR A LISTING OF GRAINGER BRANCHES); OR (II) CONTACT GRAINGER BY GOING TO WWW.GRAINGER.COM AND CLICKING ON THE "CONTACT US" LINK AT THE TOP OF THE PAGE, THEN CLICKING ON THE "EMAIL US" LINK; OR

(III) CALL CUSTOMER CARE (TOLL FREE) AT 1-888-361-8649. TO OBTAIN WARRANTY SERVICE IF YOU PURCHASED THE COVERED PRODUCT FROM ANOTHER DISTRIBUTOR OR RETAILER, (I) GO TO WWW.GRAINGER.COM FOR WARRANTY SERVICE; (II) WRITE OR CALL OR VISIT A GRAINGER BRANCH NEAR YOU; OR (III) CALL CUSTOMER CARE (TOLL FREE) AT 1-888-361-8649. IN ANY CASE, YOU WILL NEED TO PROVIDE, TO THE EXTENT AVAILABLE, THE PURCHASE DATE, THE ORIGINAL INVOICE NUMBER, THE STOCK NUMBER, A DESCRIPTION OF THE DEFECT AND ANYTHING ELSE SPECIFIED IN THIS WESTWARD ONE-YEAR LIMITED WARRANTY. YOU MAY BE REQUIRED TO SEND THE PRODUCT IN FOR INSPECTION AT YOUR COST. YOU CAN FOLLOW UP ON THE PROGRESS OF INSPECTIONS AND CORRECTIONS IN THE SAME WAYS. TITLE AND RISK OF LOSS PASS TO BUYER ON DELIVERY TO COMMON CARRIER, SO IF PRODUCT WAS DAMAGED IN TRANSIT TO YOU, FILE CLAIM WITH CARRIER, NOT THE RETAILER OR GRAINGER.

FOR WARRANTY INFORMATION FOR PURCHASERS AND/OR DELIVERY OUTSIDE THE UNITED STATES, PLEASE CONTACT:

Canada: www.westwardtools.ca

Mexico: Grainger.com.mx

Location not listed, contact: +1-888-361-8649 (or 1-800-GRAINGER)