

Please read and save these instructions. Read through this owner's manual carefully before using product. Protect yourself and others by observing all safety information, warnings, and cautions. Failure to comply with instructions could result in personal injury and/or damage to product or property. Please retain instructions for future reference.



TOP AND INTERMEDIATE CHEST

Description

This Westward heavy-duty top tool chest has a durable coating and finish, sturdy construction, and heavy load capacity to extend product life. Heavy-duty full extension ball bearing slides ensuring smooth functionality of all drawers. The drawer can load 80lbs(35kgs)/100lbs(45kgs)/130 lbs(59kgs).The drawer with 26" (660MM)width can load 80 lbs(35kgs)/ the drawer with 42"(1066MM) width can load 100 lbs(45kgs)/ the drawer with 57" (1448MM)width can load 130 lbs(59kgs).

Ball bearing slides have a quick release design that gives great flexibility when reconfiguring the drawers. The quick lock and auto return features of the chest are for added safety to prevent unwanted, accidental opening of drawers while in transit. The tool chest includes an internal locking system for added security. The chest also has side carrying handles that allow easy transport. The lift struts on both sides enable the user to open the lid conveniently and safely. This chest is ideal for professional mechanics and garage owners interested in storing and organizing tools and parts.



Unpacking

When unpacking unit, please ensure the unit is upright. Avoid using sharp objects to open the unit. After unpacking unit, inspect carefully for any damage that may have occurred during transit. Check for loose, missing, or damaged parts. Shipping damage claim must be filed with carrier.

Specifications and Dimensions

Model	Type	Description	No. of Drawers	Dimensions (Imperial/Metric)		
				Width	Depth	Height
32H833,32H834,32H835	Heavy Duty	TOP CHEST	6	26"(660MM)	16.5"(419MM)	18.5"(470MM)
32H836,32H837,32H838	Heavy Duty	TOP CHEST	8	41.4"(1052MM)	18.6"(472MM)	20.6"(523MM)
32H839,32H840,32H841	Heavy Duty	TOP CHEST	11	41.4"(1052MM)	18.6"(472MM)	26.8"(681MM)
32H842,32H843,32H844	Heavy Duty	TOP CHEST	10	57"(1448MM)	24"(610MM)	26.7"(678MM)
32H848,32H849,32H850	Heavy Duty	INTERMEDIATE CHEST	3	26.3"(668MM)	16.9"(430MM)	10.6"(269MM)
49EV14,49EV15,48ZC86	Heavy Duty	INTERMEDIATE CHEST	3	41.4"(1052MM)	18.6"(472MM)	16"(409MM)
32H872,32H873,32H874	Heavy Duty	TOP CHEST	4	26"(660MM)	12.6"(320MM)	14.2"(361MM)
32H875,32H876,32H877	Heavy Duty	TOP CHEST	6	26"(660MM)	12.6"(320MM)	14.2"(361MM)
32H878,32H879,32H880	Heavy Duty	TOP CHEST	9	26"(660MM)	12.6"(320MM)	16.3"(414MM)

General Safety Information

▲ CAUTION

Please ensure all drawers must be closed and locked completely before moving the chest. Keep the product on level surfaces. The product may become unstable and tip if stored or moved on an un-level surface, which may cause personal injury or product damage.

▲ WARNING

Do not alter the product in any manner. Do not step or climb on the chest. Please open the lid prior when opening the drawers, and be careful when closing the lid. Do not open more than one drawer at the same time. The chest may become unstable and tip. Please ensure the chest is locked prior to moving.



TOP AND INTERMEDIATE CHEST

Maintenance

Lubricate the lock with graphite annually. Lubricate the ball bearing slides with grease twice annually.

Warranty

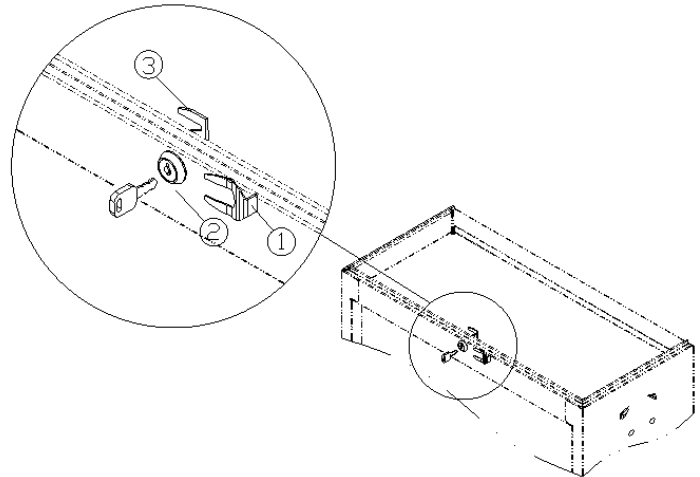
LIMITED ONE-YEAR WARRANTY

Should this product fail to perform satisfactorily due to a defect or poor workmanship within ONE YEAR from the date of purchase, return it to the place of purchase and it will be replaced, free of charge. Incidental or consequential damages are excluded from this warranty.

Replace the lock parts

To release lock set:

1. Remove the spring clip ①.
2. Remove lock ② and hook ③ in sequence.



To reinstall lock set:

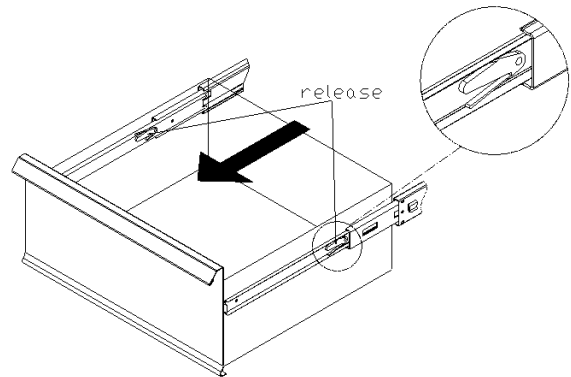
1. Insert lock ② through the round hole.
2. Connect spring clip ① and hook ③ in sequence.



TOP AND INTERMEDIATE CHEST

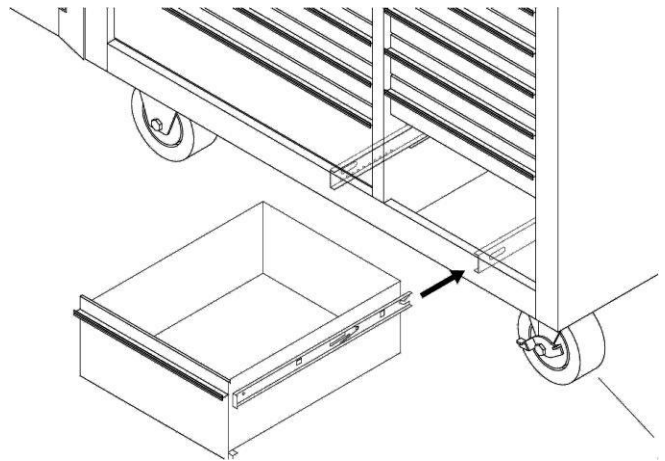
To remove the drawer:

1. To remove the drawer, release the retaining clips by pushing the lever up on one side and down on the other side simultaneously.
2. Pull the drawer out.



To install the drawer:

Place drawer on the slide rail and push into unit.
The user will not need to release or move the retaining clips.



For Repair Parts, call 1-800-323-0620
24 hours a day – 365 days a year

Repair Parts List

Reference Number	Description	Parts Number	Qty.
1	Lock set for all top chest series	22EM14(TTLK002G)	1 set
2	Lock set for Intermediate chest 32H848-850 (Random lock set / lock x 1, key x 8)	22EM15(TTLK003G)	1 set