

[®]
WESTWARD



Supa-Lite Pistol Grease Gun

Model 48UJ78 and 48UJ79

®
WESTWARD

**PLEASE READ AND SAVE
THESE INSTRUCTIONS.**

**READ CAREFULLY
BEFORE ATTEMPTING
TO ASSEMBLE, INSTALL,
OPERATE OR MAINTAIN THE
PRODUCT DESCRIBED.**

**PROTECT YOURSELF AND
OTHERS BY OBSERVING ALL
SAFETY INFORMATION. FAILURE
TO COMPLY WITH INSTRUCTIONS
COULD RESULT IN PERSONAL
INJURY AND/OR PROPERTY DAMAGE!
RETAIN INSTRUCTIONS FOR FUTURE
REFERENCE.**

**PLEASE REFER TO BACK COVER
FOR INFORMATION REGARDING
WESTWARD'S WARRANTY AND OTHER
IMPORTANT INFORMATION.**

Model #: _____

Serial #: _____

Purch. Date: _____

*Printed in India
Version 03/ 2016*

*© 2015 W.W. Grainger, Inc.
All Rights Reserved*

BEFORE YOU BEGIN

**Tools needed:**

- Spanner (14mm)

Protection equipment (PPE) requirements:

- Goggles, Safety Gloves, Safety Helmet, and Safety Boots

UNPACKING

Steps:

1. Wear cotton gloves before unpacking.
2. Use small knife or scissor to cut tapes on the carton for opening/ unpacking. Be careful of any sharp carton edges.
3. Check to ensure all components are present.

**Contents:**

Grease Gun

4" Straight Steel Extension (Only in 48UJ78)

18" Flexible Hose (Only in 48UJ79)

Professional Coupler



- See General Safety Instructions on page 2, and Cautions and Warnings as shown.



GENERAL SAFETY INSTRUCTIONS

⚠ WARNING

Grease or empty cartridge in the barrel is under pressure from the internal spring. Be extremely careful when removing either end of the barrel. Connections of the hose must be secured tightly to avoid any oil leakage.

⚠ WARNING

Always before refilling make sure that the plunger rod is completely outward and is in locked position

⚠ WARNING

Always use safety goggles when using the grease gun.

⚠ WARNING

Excess grease if left on floor, tools or equipment can create slippery surfaces.

SPECIFICATIONS

Description	48UJ78	48UJ79
Cartridge Size	14 oz.	14 oz.
Bulk Size	16 oz.	16 oz.
Handle Style	Pistol	Pistol
Max. Pressure	5,000 PSI	5,000 PSI
Delivers	Up to 1 oz. / 56 strokes	Up to 1 oz. / 56 strokes
Extension Style	4" Straight Steel Extension	18" Flexible Hose
<u>Grease filling options</u>		
Cartridge	Yes	Yes
Bulk	Yes	Yes

ASSEMBLY INSTRUCTIONS

1. Selection of rigid extension or flexible hose

Rigid extension can be used in easily accessible grease fittings and it also makes greasing a one hand operation whereas the flexible hose is designed to access inaccessible grease fittings, it requires two hands for its operation one to press the trigger and the other hand to reach out for the grease fitting.

2. Removing empty cartridge

Remove any cartridge in the grease gun barrel prior to refilling. To check if a cartridge is in the barrel, first compress the spring by pulling the plunger handle fully outward. Remove the grease gun head by turning it counter clockwise. Release the plunger rod from the notch and push it forward allowing the grease cartridge to come out.

3. Locking and unlocking the plunger rod

This gun incorporates a groove on its plunger rod just below the follower & a notch in its end cap. Plunger rod can be locked in its extreme position by simply pushing the groove inside the notch. To release the plunger rod simply pull out the rod from the notch & slowly push the plunger rod inside. Ensure slow movement as releasing the plunger rod quickly with open barrel can cause accident.

4. Priming

Usually after loading, all grease equipment have some trapped air pockets in grease. Trapped air causes zero or reduced grease discharge. Removing these air pockets from grease is referred to as Priming or Air Bleeding. It is highly recommended to prime the grease gun after every loading. If the grease gun has been in regular use, priming can be done without having to remove the grease gun extension & coupler from the grease gun head.



OPERATING INSTRUCTIONS

Cartridge Loading

Bulk Loading

Remove the gun head by rotating it in counter-clockwise direction.

Pull the Plunger Rod Handle all the way back and lock it.

Fill the barrel with grease using a scoop

Remove the plastic cap from the cartridge and insert the open end of the cartridge into the grease gun barrel until the rim of the pull-tab end meets the rim of the barrel. Now remove the pull-tab seal. Screw back the grease gun head tightly onto the barrel.

When the barrel is completely filled with grease, shake the grease gun barrel to allow the grease to settle down. Then screw back the grease gun head tightly onto the barrel.

Prime the grease gun

Release the plunger rod while keeping head assembly open by 2 turns, move plunger rod back and forth 2-3 times to force out any trapped air. Exert force on the grease using the plunger handle till the grease oozes out of the head and barrel interface. Tighten the head and start operating the lever handle of the gun. If the grease comes out of the coupler smoothly, then the gun is primed. If not, repeat the priming procedure.

TROUBLESHOOTING

Symptom	Possible Cause(s)	Corrective Action
Grease gun pumps little or no grease	1. Air is trapped in grease	1. Priming is required, refer "Prime the grease gun" section.
	2. Blocked extension/hose	2. Remove the extension/hose and operate the grease gun. If the gun dispenses grease then the gun is fine and you need to either clean the extension/hose or replace it
	3. Grease too thick or cold	3. Keep the grease warm and away from extreme cold or use thinner grease
Excessive grease leaks out from the back side of the rubber follower around the plunger rod	Rubber follower is damaged	Replace the grease gun
Grease leaks from the connection between the grease gun head & the extension/hose or between extension/hose & coupler	Loose connection	Tighten the connection using teflon or any other thread sealant

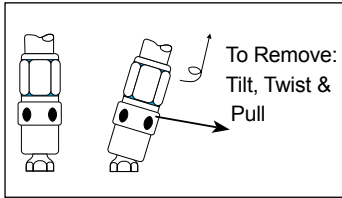


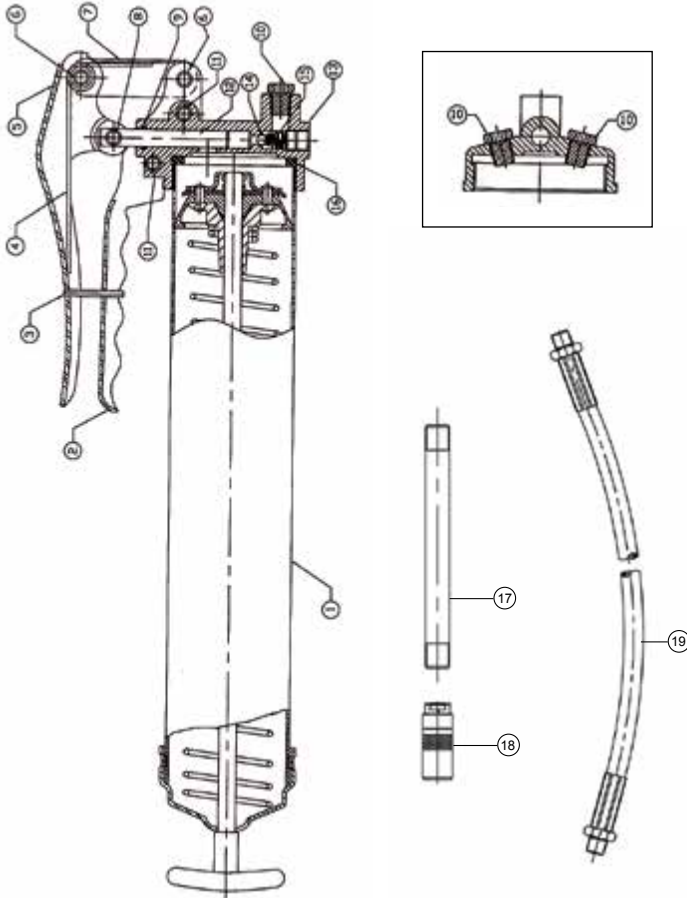
MAINTENANCE

Grease gun and extension/hose should be kept clean and checked for damage before each use.

Greasing a grease fitting / nipple

1. The grease coupler provided at the end of the grease gun extension has a jaw type construction. The coupler jaws snaps on to a grease fitting and maintains a tight fit.
2. When connecting the coupler to the grease fitting, press the coupler straight onto the grease fitting to form a snug fit. Start operating the grease gun with the coupler as square to the grease fitting as possible.
3. Once greasing is completed, slightly tilt the coupler, twist and pull back. The tilt and twist action will allow easy removal of the coupler from the grease fitting.



PARTS ILLUSTRATION

For Repair Parts, call 1-800-323-0620
24 hours a day – 365 days a year

Please provide following information:

- Model number
- Serial number (if any)
- Part description and number as shown in parts list

GETTING STARTED



PARTS LIST

Parts Description	Qty.
1 Barrel Assembly	1
2 Fixed Handle	1
3 Key Ring	1
4 Torsion Spring	1
5 Movable Handle	1
6 Rivet	2
7 U-Clip	1
8 Rivet	1
9 O-Ring	1
10 Block Nut	3
11 Rivet	2
12 Piston	1
13 Head	1
14 Steel Ball	1
15 Non Return Spring	1
16 Rubber Washer	1
17 Grease Straight Pipe	1
18 Hydraulic Coupler	1
19 Flexible Hose	1

SAFETY /
SPECIFICATIONS

ASSEMBLY /
INSTALLATION

OPERATION

TROUBLESHOOTING

MAINTENANCE /
REPAIR

WESTWARD ONE-YEAR LIMITED WARRANTY

WESTWARD ONE-YEAR LIMITED WARRANTY. All Westward® product models covered in this manual covered by this Limited Warranty are warranted by W.W. Grainger, Inc. ("Grainger") to the original user against defects in workmanship or materials under normal use for one year after date of purchase. If the Product is part of a set, only the portion that is defective is subject to this warranty. Any Product or part which is determined to be defective in material or workmanship and returned to an authorized service location, as Grainger or Grainger's designee designates, shipping costs prepaid, will be, as the exclusive remedy, repaired or replaced with a new or reconditioned product or part of equal utility or a full refund given, at Grainger's or Grainger's designee's option, at no charge. For limited warranty claim procedures, see "Warranty Service" below.

COVERED PRODUCTS. This Limited Warranty covers the product model(s) identified in this manual. This Limited Warranty does not cover normal wear and tear of Products or portions of them, or products or portions of them which are consumable in normal use. This warranty is void if there is evidence of misuse, mis-repair, mis-installation, abuse or alteration.

WARRANTY DISCLAIMERS AND LIMITATIONS OF LIABILITY RELATING TO ALL CUSTOMERS FOR ALL PRODUCTS

LIMITATION OF LIABILITY. TO THE EXTENT ALLOWABLE UNDER APPLICABLE LAW, GRAINGER'S LIABILITY FOR CONSEQUENTIAL AND INCIDENTAL DAMAGES IS EXPRESSLY DISCLAIMED. GRAINGER'S LIABILITY IN ALL EVENTS IS LIMITED TO AND SHALL NOT EXCEED THE PURCHASE PRICE PAID.

WARRANTY DISCLAIMER. A DILIGENT EFFORT HAS BEEN MADE TO PROVIDE PRODUCT INFORMATION AND ILLUSTRATE THE PRODUCTS IN THIS LITERATURE ACCURATELY; HOWEVER, SUCH INFORMATION AND ILLUSTRATIONS ARE FOR THE SOLE PURPOSE OF IDENTIFICATION, AND DO NOT EXPRESS OR IMPLY A WARRANTY THAT THE PRODUCTS ARE MERCHANTABILITY, OR FIT FOR A PARTICULAR PURPOSE, OR THAT THE PRODUCTS WILL NECESSARILY CONFORM TO THE ILLUSTRATIONS OR DESCRIPTIONS. EXCEPT AS PROVIDED BELOW, NO WARRANTY OR AFFIRMATION OF FACT, EXPRESSED OR IMPLIED, OTHER THAN AS STATED IN THE "LIMITED WARRANTY" ABOVE IS MADE OR AUTHORIZED BY GRAINGER.

PRODUCT SUITABILITY. MANY JURISDICTIONS HAVE CODES AND REGULATIONS GOVERNING SALES, CONSTRUCTION, INSTALLATION, AND/OR USE OF PRODUCTS FOR CERTAIN PURPOSES, WHICH MAY VARY FROM THOSE IN NEIGHBORING AREAS. WHILE ATTEMPTS ARE MADE TO ASSURE THAT PRODUCTS COMPLY WITH SUCH CODES, GRAINGER CANNOT GUARANTEE COMPLIANCE, AND CANNOT BE RESPONSIBLE FOR HOW THE PRODUCT IS INSTALLED OR USED. BEFORE PURCHASE AND USE OF A PRODUCT, REVIEW THE SAFETY/SPECIFICATIONS, AND ALL APPLICABLE NATIONAL AND LOCAL CODES AND REGULATIONS, AND BE SURE THAT THE PRODUCT, INSTALLATION, AND USE WILL COMPLY WITH THEM.

CONSUMERS ONLY. CERTAIN ASPECTS OF DISCLAIMERS ARE NOT APPLICABLE TO CONSUMER PRODUCTS SOLD TO CONSUMERS; (A) SOME JURISDICTIONS DO NOT ALLOW THE EXCLUSION OR LIMITATION OF INCIDENTAL OR CONSEQUENTIAL DAMAGES, SO THE ABOVE LIMITATION OR EXCLUSION MAY NOT APPLY TO YOU; (B) ALSO, SOME JURISDICTIONS DO NOT ALLOW A LIMITATION ON HOW LONG AN IMPLIED WARRANTY LASTS, SO THE ABOVE LIMITATION MAY NOT APPLY TO YOU; AND (C) BY LAW, DURING THE PERIOD OF THIS LIMITED WARRANTY, ANY IMPLIED WARRANTIES OF MERCHANTABILITY OR FITNESS FOR A PARTICULAR PURPOSE APPLICABLE TO CONSUMER PRODUCTS PURCHASED BY CONSUMERS, MAY NOT BE EXCLUDED OR OTHERWISE DISCLAIMED.

THIS LIMITED WARRANTY GIVES YOU SPECIFIC LEGAL RIGHTS, AND YOU MAY ALSO HAVE OTHER RIGHTS WHICH VARY FROM STATE TO STATE.

THIS LIMITED WARRANTY ONLY APPLIES TO PRODUCTS PURCHASED BY UNITED STATES PURCHASERS FOR DELIVERY IN THE UNITED STATES.

WARRANTY SERVICE

To obtain warranty service if you purchased the covered product directly from Grainger, (i) write or call or visit the local Grainger branch from which the product was purchased or another Grainger branch near you (see www.grainger.com for a listing of Grainger branches); or (ii) contact Grainger by going to www.grainger.com and clicking on the "Contact Us" link at the top of the page, then clicking on the "Email us" link; or (iii) call Customer Care (toll free) at 1-888-361-8649. To obtain warranty service if you purchased the covered product from another distributor or retailer, (i) go to www.grainger.com for Warranty Service; (ii) write or call or visit a Grainger branch near you; or (iii) call Customer Care (toll free) at 1-888-361-8649. In any case, you will need to provide, to the extent available, the purchase date, the original invoice number, the stock number, a description of the defect and anything else specified in this Westward One-Year Limited Warranty. You may be required to send the product in for inspection at your cost. You can follow up on the progress of inspections and corrections in the same ways. Title and risk of loss pass to buyer on delivery to common carrier, so if product was damaged in transit to you, file claim with carrier, not the retailer or Grainger. For warranty information for purchasers and/or delivery outside the United States, please contact:

Canada: www.westwardtools.ca

Mexico: Grainger.com.mx

Location not listed, contact: +1-888-361-8649 (or 1-800-GRAINGER)