

Features

- Audible SNAP indicates solid connection
- Patented shutter design for tamper-resistant
- Compliant with NEC® 406.12 and NEC® 517-18(c)
- Patented AUTOGUARD® self test technology
- Triple wipe construction

Ordering Information

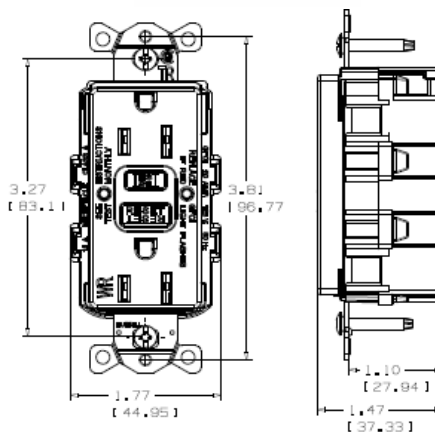
| Description | Color | UPC | Catalog Number |
|--|-------|--------------|----------------|
| 20A, 125V, Style Line®, hospital grade, SNAPConnect®, AUTOGUARD® self test GFCI receptacle, flush face | White | 783585486376 | GFRST83SNAPW |

Listings

UL Listed - Canadian and U.S.
Meets ADA Standards
Meets all NEC® requirements
CSA Certified
NEMA® WD-6 Compliant

Specifications

| | |
|-----------------|-------------------|
| Face | Nylon |
| Base | Nylon |
| Power Contacts | Brass |
| Ground Contacts | Brass |
| Mounting Strap | Brass |
| Mounting Screws | Zinc plated steel |



Complementary Products

| | |
|---|---|
| Wallplates for duplex openings SNAP1RA | Solid Right Angle Pigtailed Terminal Stranded Right Angle Pigtailed Terminal |
|---|---|

Online Resources

Customer Use Drawing
eCatalog
Installation Instructions