



# BRUTE® CONSTRUCTION AND LANDSCAPE DOLLY

The BRUTE® Construction and Landscape Dolly is built to easily maneuver over rough terrain for superior handling of heavy loads. Ergonomically designed features ensure worker safety in the toughest conditions.

## Features and Benefits:

- Oversized never flat wheels with DuraTread provide maximum performance and long-lasting use on even the roughest terrain
- Ergonomic cruiser handles provide comfortable maneuverability and maximum leverage with loads up to 250 lbs.
- Structural foam rim hook easily adjusts to secure 32, 44, and 55-gallon BRUTE® containers
- Integrated foot ledge provides maximum leverage for easily tilting and transporting heavy loads

## Material Composition:

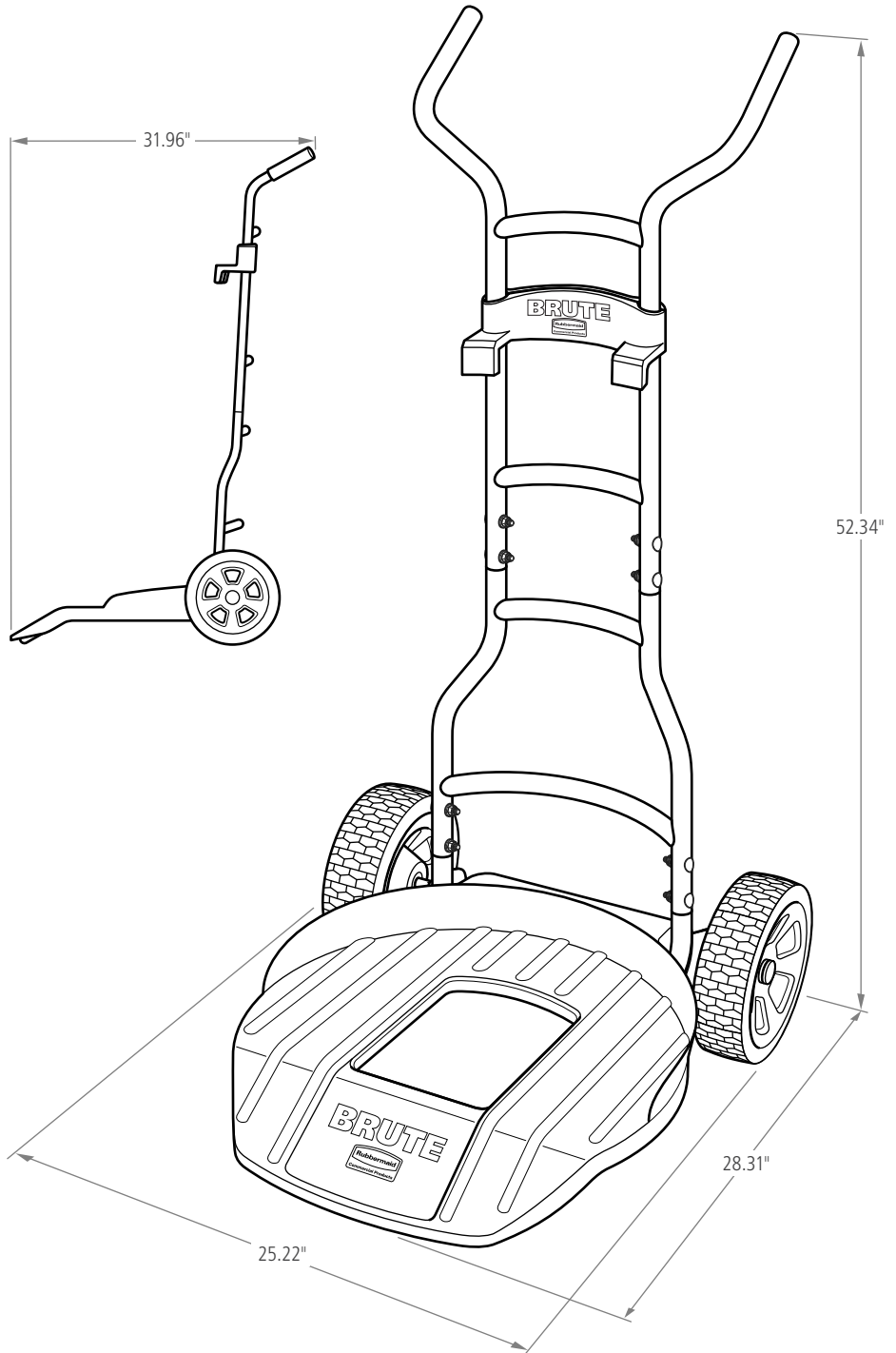
- Durable powder-coated steel frame with UV inhibitor
- Commercial-grade structural foam base and rim hook

## Weight Capacity:

- 250 lbs.

## Compatibility:

- Compatible with 32, 44, and 55-gallon BRUTE® containers



SKU #	DESCRIPTION	COLOR	WEIGHT LB	WIDTH IN	HEIGHT IN	DEPTH IN	PACK SIZE
1997410	BRUTE® CONSTRUCTION AND LANDSCAPE DOLLY	RED	28.55	25.22"	52.34"	31.96"	1





# BRUTE®

Built to handle rough and uneven surfaces, the BRUTE® Multi-Surface Dolly is designed to help make moving waste easier than ever. Ergonomically designed features help prevent injuries and support worker safety while on the job.

## Features and Benefits:

- Heavy-duty rear wheels with high-performance treads plus dual-front casters distribute up to 250 lbs. of weight evenly for a full range of maneuverability over uneven surfaces
- Ergonomic cart-style handle designed for comfortable and controlled push, pull and tilt operation
- Structural foam twist lock base easily adjusts to secure 20, 32, 44, and 55-gallon BRUTE® containers
- Integrated foot ledge provides maximum leverage for easily tilting and transporting heavy loads

## Material Composition:

- Durable powder-coated steel frame with UV inhibitor
- Commercial-grade structural foam base

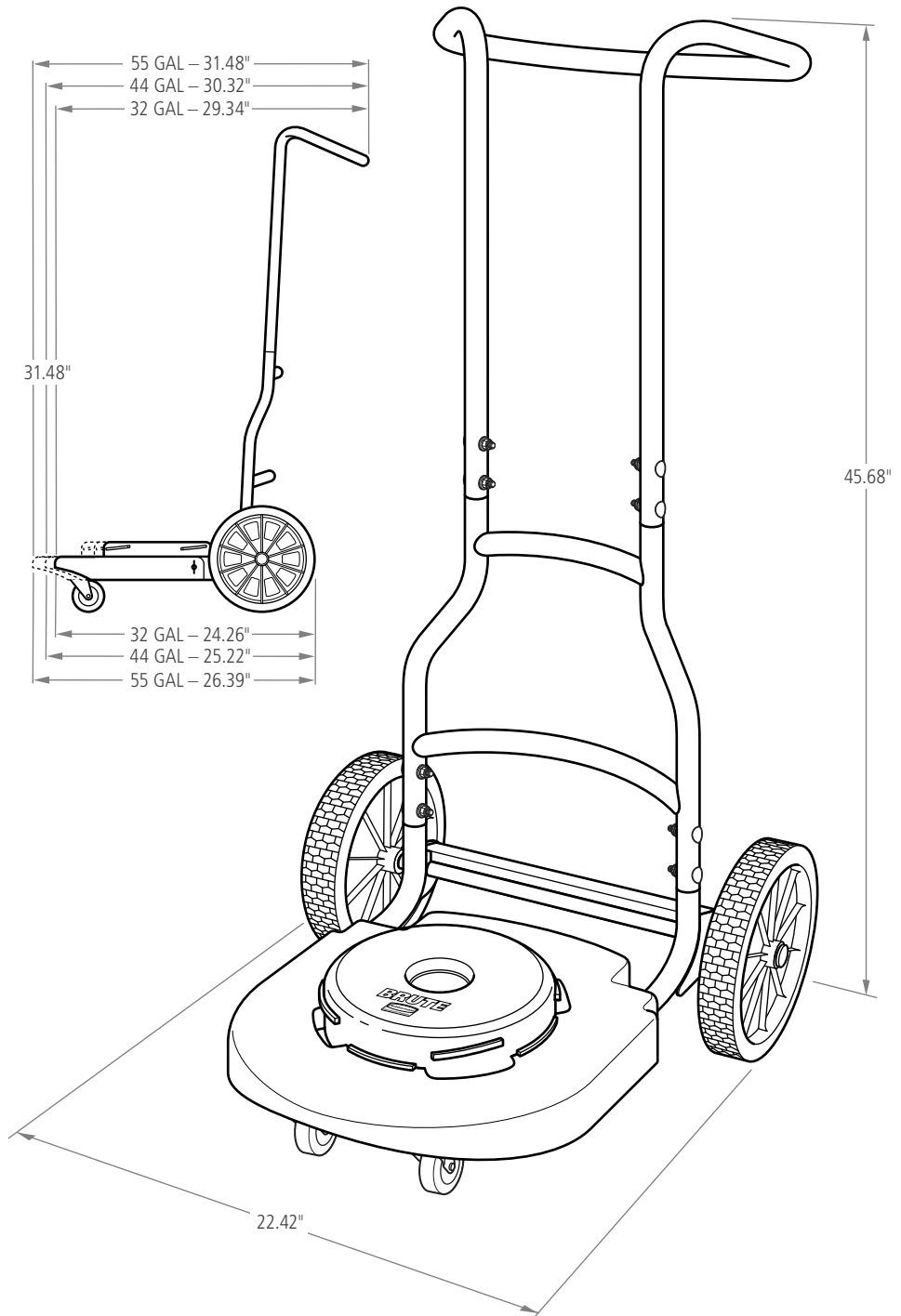
## Weight Capacity:

- 250 lbs.

## Compatibility:

- Compatible with 20, 32, 44, and 55-gallon BRUTE® containers

# BRUTE® MULTI-SURFACE DOLLY



SKU #	DESCRIPTION	COLOR	WEIGHT LB	WIDTH IN	HEIGHT IN	DEPTH IN	PACK SIZE
1997801	BRUTE® MULTI-SURFACE DOLLY	RED	25.15	22.42"	45.68"	29.34**	1

\*\*32-GAL SETTING





# BRUTE®

The BRUTE® Anchor secures BRUTE® containers to concrete surfaces for a lifetime of use. The structural foam base fits any 20, 32, 44, and 55-gallon BRUTE® container and is guaranteed to never fade, rust, chip, dent or peel.

## Features and Benefits:

- Secure once for a lifetime of use
- Standard twist lock base accommodates any 20, 32, 44, and 55-gallon BRUTE® container
- Structural foam base plus rust and corrosion resistant steel hardware secure BRUTE® containers to any concrete surface

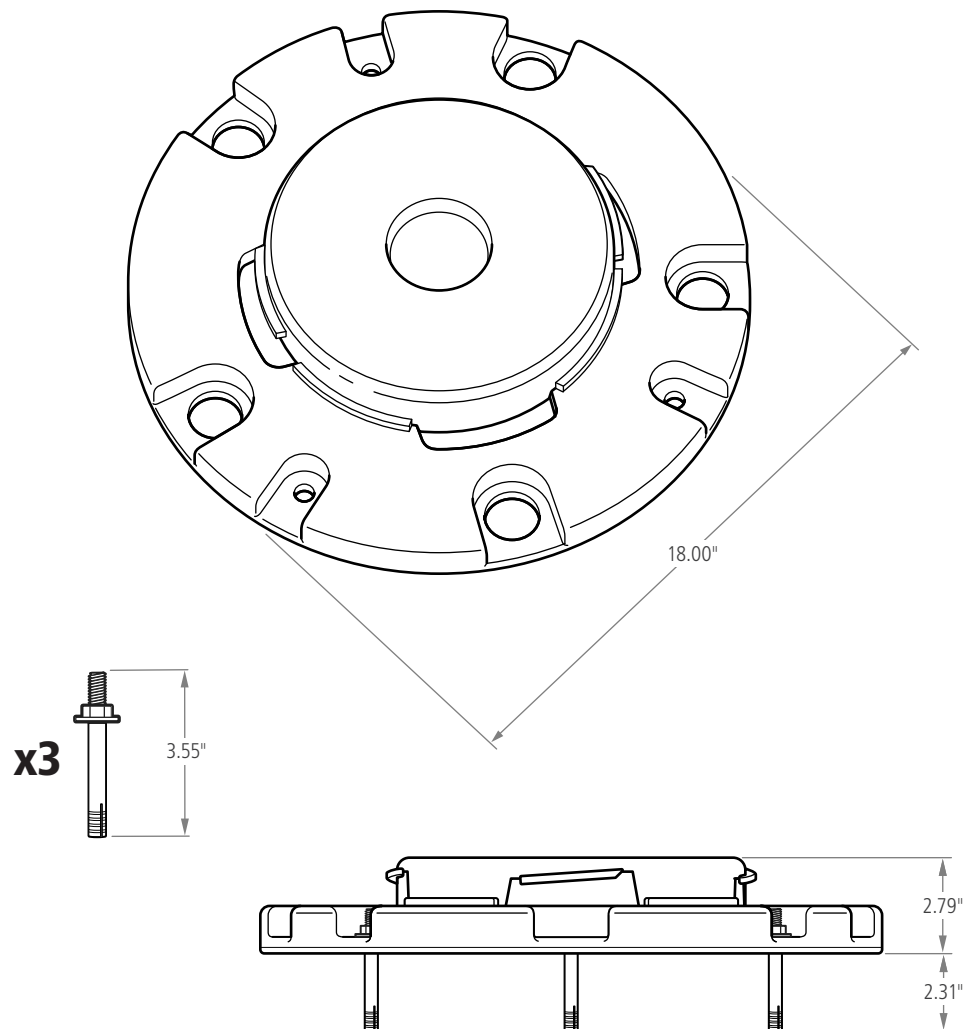
## Material Composition:

- Commercial-grade structural foam base

## Compatibility:

- Compatible with 20, 32, 44, and 55-gallon BRUTE® containers

# BRUTE® CONCRETE ANCHOR KIT



SKU #	DESCRIPTION	COLOR	WEIGHT LB	DIAMETER IN	HEIGHT IN	PACK SIZE
1997803	BRUTE® ANCHOR KIT – CONCRETE	BLACK	2.93	18.00"	2.79"	1





# BRUTE®

The BRUTE® Anchor secures BRUTE® containers to dirt, sand, and grass surfaces for a lifetime of use. The structural foam base fits any 20, 32, 44, and 55-gallon BRUTE® container and is guaranteed to never fade, rust, chip, dent or peel.

### Features and Benefits:

- Secure once for a lifetime of use
- Standard twist lock base accommodates any 20, 32, 44, and 55-gallon BRUTE® container
- Structural foam base plus rust and corrosion resistant steel hardware secure BRUTE® containers to any dirt, sand or grass surface

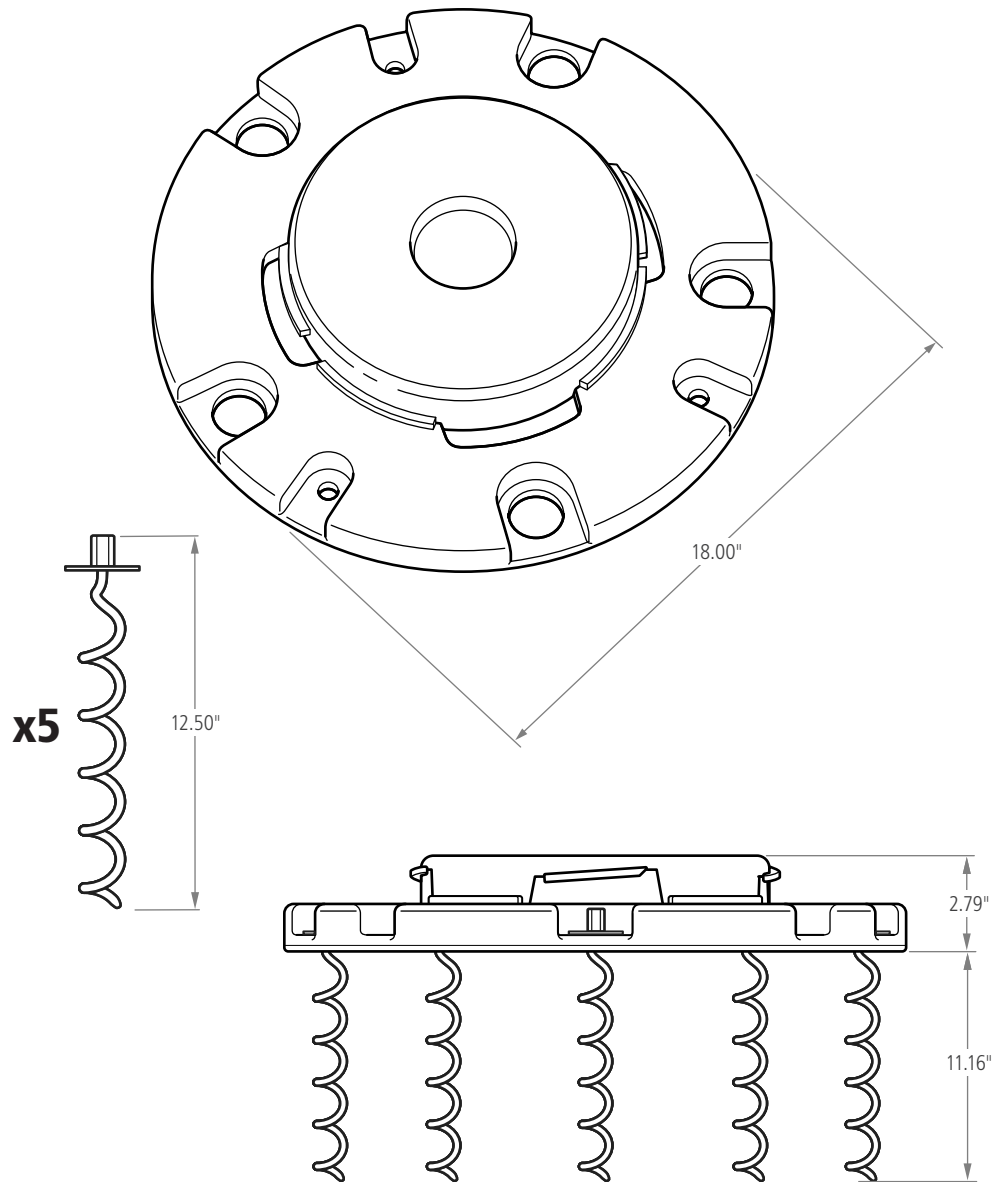
### Material Composition:

- Commercial-grade structural foam base

### Compatibility:

- Compatible with 20, 32, 44, and 55-gallon BRUTE® containers

# BRUTE® DIRT/GRASS/SAND ANCHOR KIT



SKU #	DESCRIPTION	COLOR	WEIGHT LB	DIAMETER IN	HEIGHT IN	PACK SIZE
1997802	BRUTE® ANCHOR KIT – DIRT/GRASS/SAND	BLACK	4.50	18.00"	2.79"	1

