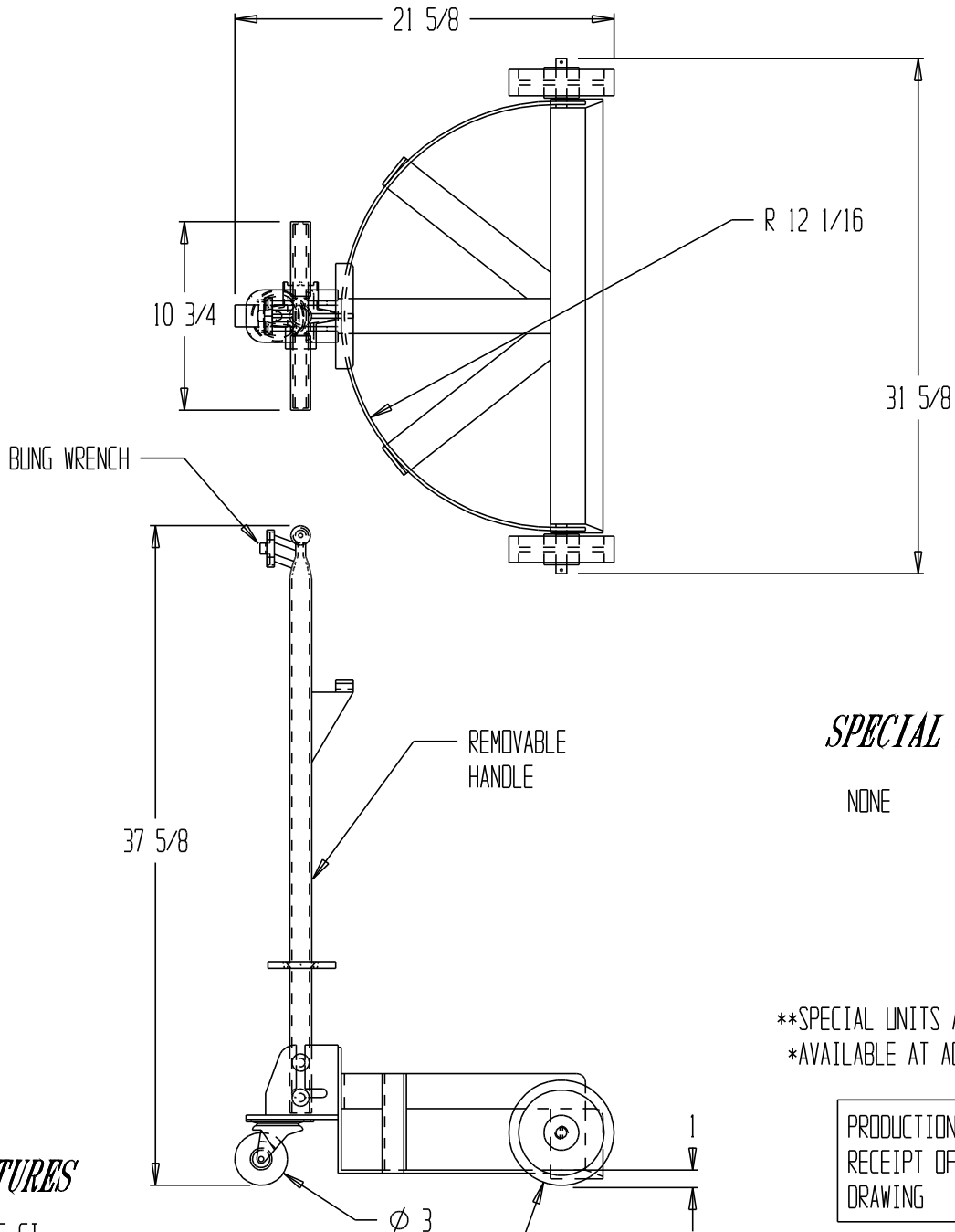


# LOW PROFILE DRUM DOLLY, LO-DC-CI



## STANDARD FEATURES

MODEL NUMBER: LO-DC-CI  
 CAPACITY: 1,200 LBS  
 CASTERS: (2) - FRONT,  $\phi$  6" - CAST IRON WHEELS  
 (1) - BACK,  $\phi$  3" - SWIVEL  
 OVERALL LENGTH: 21 5/8 INCHES  
 OVERALL WIDTH: 31 5/8 INCHES  
 OVERALL HEIGHT: 37 5/8 INCHES  
 INCLUDES REMOVABLE PIVOTING HANDLE  
 W/ BUILT IN BUNG NUT WRENCH,  
 SEAL REMOVER AND DRUM LIFTER BAR

## SPECIAL FEATURES

NONE

\*\*SPECIAL UNITS ARE NON-RETURNABLE  
 \*AVAILABLE AT ADDITIONAL COSTS

PRODUCTION WILL START UPON  
 RECEIPT OF SIGNED APPROVAL  
 DRAWING

A  
 P  
 P  
 R  
 O  
 V  
 A  
 L

I, THE UNDERSIGNED, AGREE THAT THE PRODUCT AS REPRESENTED SATISFIES DESIGN & DIMENSION REQUIREMENTS. I ALSO ACKNOWLEDGE MY DUTY TO CONFIRM PRODUCT & INSTALLATION COMPLIANCE WITH ALL APPLICABLE FEDERAL, STATE AND LOCAL REGULATIONS & STANDARDS.

**ALL SPECIAL UNITS ARE NON-RETURNABLE**  
 [ ] As drawn [ ] As marked

Signed: \_\_\_\_\_ Date: \_\_\_\_\_  
 LEAD TIME WILL START UPON RECEIPT OF SIGNED APPROVAL DRAWING

DISTRIBUTOR'S NAME: <b>VESTIL MFG</b>		P.O.#: _
DRAWN BY: TJM		W.O.#: _
DATE: 1/30/2012	SCALE: 1:10	SALES: _
REFERENCE: _	QUOTED LEADTIME: _	DRWG./FILE NAME: 16-007-308
QUOTE #: _		