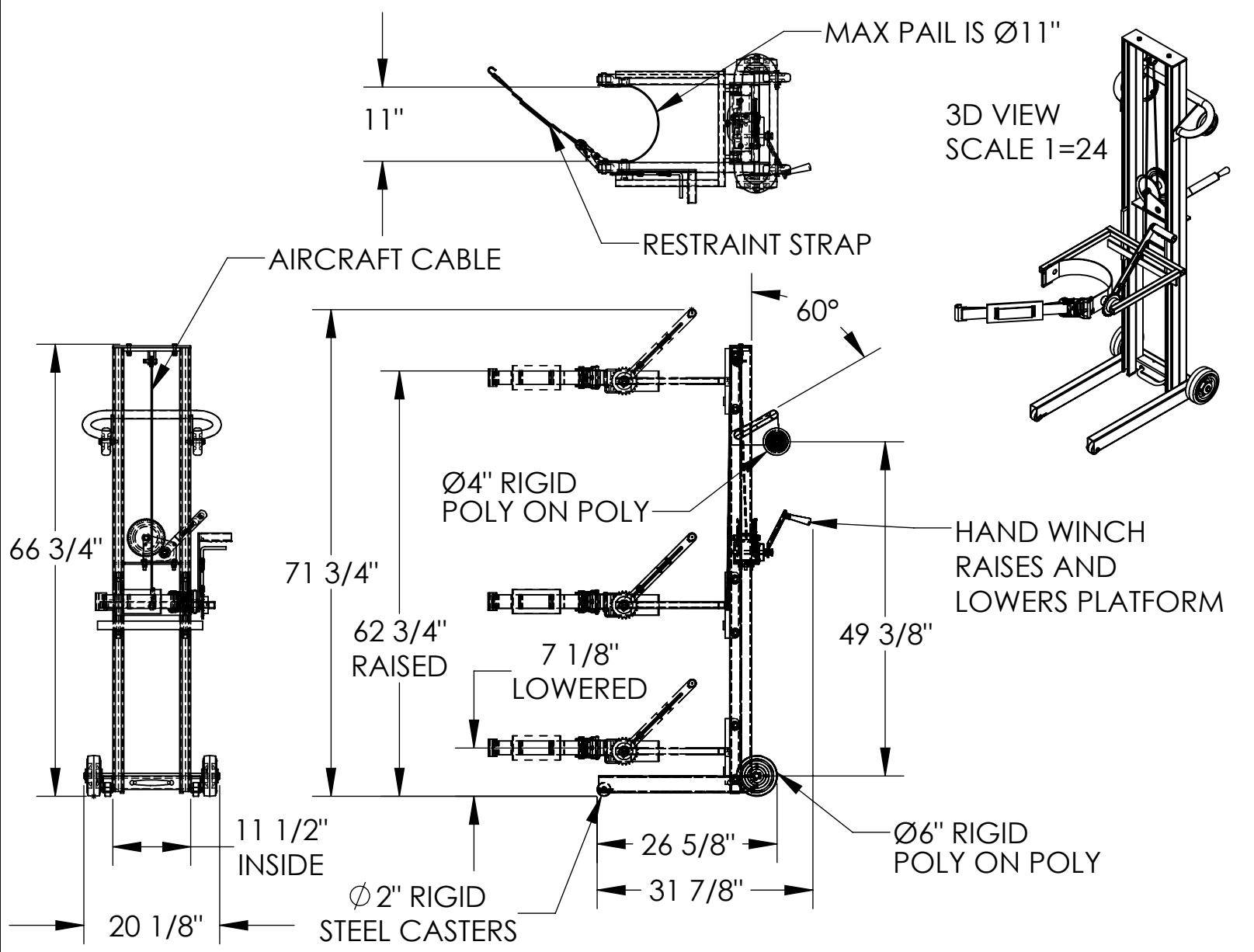


VARIABLE HEIGHT PAIL DISPENSER - LLW-PAILD-200

APPROX WEIGHT: 139.05 lbs.
DOES NOT INCLUDE WEIGHT OF POWER OR PACKAGING!!!

ANY ADDITIONS, DELETIONS, OR OMISSIONS MUST BE CORRECTED ON THIS DRAWING AS THIS DRAWING WILL BE CONSIDERED ALL INCLUSIVE



ALL GRAPHICS PROVIDED ARE FOR REFERENCE ONLY. IF CERTAIN DIMENSIONS ARE CRITICAL PLEASE VERIFY THOSE DIMENSIONS WITH YOUR SALESPERSON

DIMENSION TOLERANCE +/- 1/4"

STANDARD FEATURES

- MODEL NUMBER IS LLW-PAILD-200
- STANDARD CAPACITY: 200 LBS
- OVERALL WIDTH IS 20 1/8"
- OVERALL LENGTH IS 31 7/8"
- OVERALL HEIGHT IS 71 3/4"
- Ø 6" X 2" POLY ON POLY REAR WHEELS
- STANDARD Ø2" STEEL FRONT ROLLERS
- CARRIAGE HAS A RESTRAINT STRAP FOR SECURING THE PAIL
- FRAME HAS SPECIAL PUSH HANDLES TO HELP ASSIST IT BEING LOADED INTO A TRUCK OR VAN
- STANDARD SERVICE RANGE IS 7 1/8" - 62 3/4"
- TOUGH BAKED IN POWDER COAT YELLOW FINISH CRADLE & BLUE FOR THE FRAME

SPECIAL FEATURES NONE

A P P R O V A L	I, THE UNDERSIGNED, AGREE THAT THE PRODUCT AS REPRESENTED SATISFIES DESIGN AND DIMENSION REQUIREMENTS. I ALSO ACKNOWLEDGE MY DUTY TO CONFIRM PRODUCT AND INSTALLATION COMPLIANCE WITH ALL APPLICABLE FEDERAL, STATE AND LOCAL REGULATIONS AND STANDARDS.	
	UNITS REQUIRING APPROVAL DRAWINGS OR MODIFIED ARE NON-RETURNABLE	
	[] As drawn [] As marked	
	Signed: _____ Date: _____	
Printed Name: _____		
LEAD TIME WILL START UPON RECEIPT OF SIGNED APPROVAL DRAWING		

DISTRIBUTOR'S NAME:		P.O.#
VESTIL MANUFACTURING		X
DRAWN BY: BLH		W.O.#
DATE: 1/3/17		X
REFERENCE: X	SCALE: 1:22	SALES: X
QUOTED LEAD TIME: X	QUOTE # X	FILE NAME:
		42-007-006