

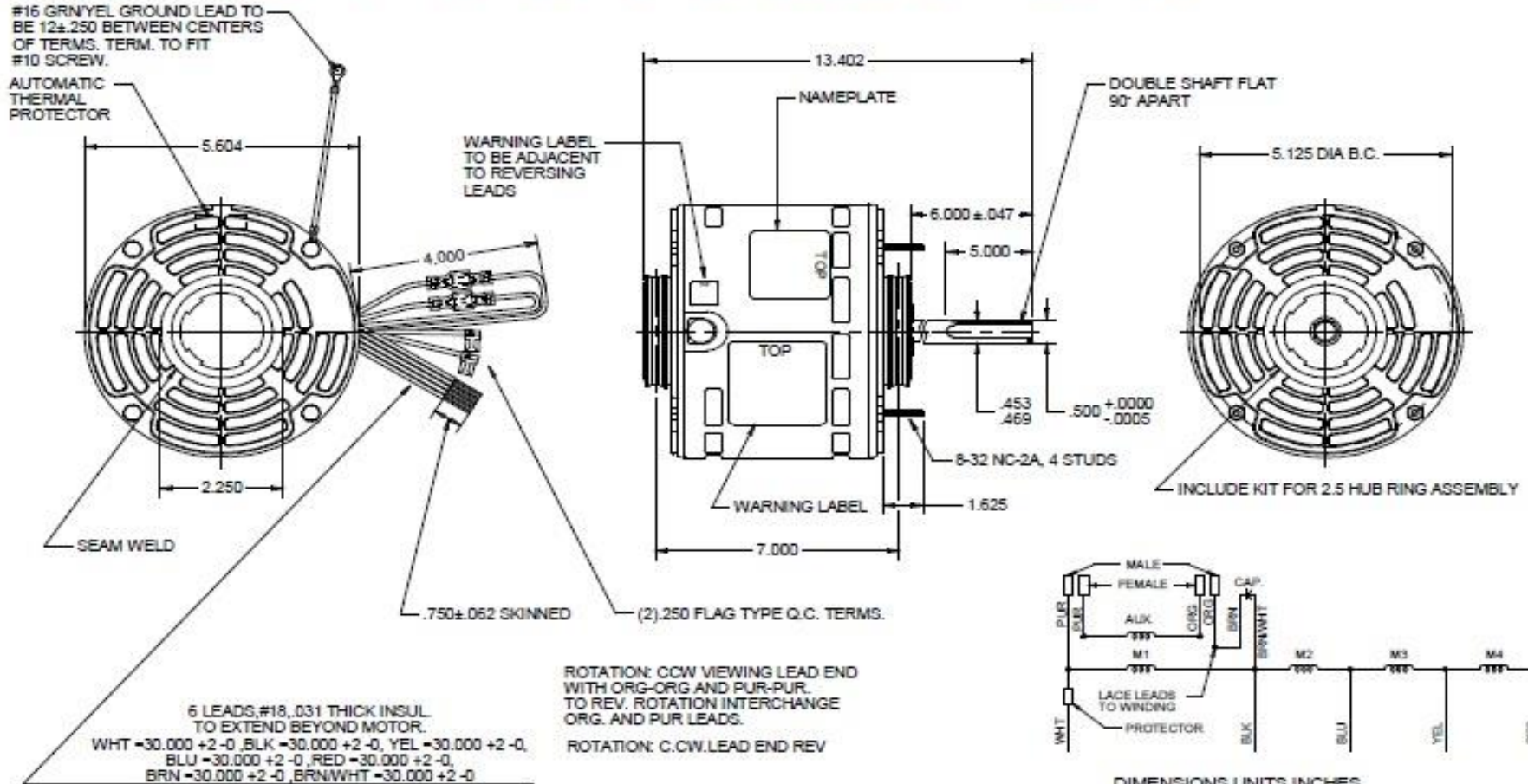
Dimensional Drawing



3LU91BH

REV.

MODEL	REF	CUSTOMER	HP	VOLTS	AMPS	FZ	RPM	ROTATION	CUSTOMER PN	DESCRIPTION / REMARKS
K55BWKDL-2252		DAYTON	1	115	15.8	60	1075	C.CW. LEAD END REV	3LU91BH	SAB



DRAWING NO.	PAGE 1 of 1	REV.
	3LU91BH	-

3LU91BH

REV.

-

SHADED-POLE & PSC MOTOR PERFORMANCE

HP:	1							
Poles:	6							
Ambient (°C):	40							
Altitude (FASL):	1000							
No. of Speeds:	4							
HIGH SPEED								
Volts:	115	115	208	230	277	460	100	200
HZ:	60	60	60	60	60	60	50	50
Service Factor:	1.0							
Efficiency:	@ Rated Load	59.8						
Power Factor:	@ Rated Load	87.1						
Amps:	@ No Load							
	@ Rated Load	15.8						
	@ Locked Rotor	31.6						
RPM:	@ Rated Load	1075						
Torques: Oz.Ft.	Breakdown	106.7						
	Locked Rotor	15.7						
	Pull-Up							
	Rated Load	99.2						
	Service Factor	1.0						
Watts:	Rated Load	1582						
Temperature Rise:	@ Rated Load							
Thermal Protector:	Trip Temp (°C)	140~150						
Winding Material:	Start (Auxiliary)	Copper						
	Run (Main)	Copper						
Capacitor:	Run (MFD / Volts)	20.0 MFD 370V						
	No. of Run Capacitors	1						
MEDIUM-HIGH SPEED								
HP:	1							
Volts:	115	115	208	230	277	460	100	200
HZ:	60	60	60	60	60	60	50	50
Efficiency:	@ Rated Load							
Power Factor:	@ Rated Load							
Amps:	@ No Load							
	@ Rated Load							
	@ Locked Rotor							
Torques: Oz.Ft.	Breakdown	83.9						
	Locked Rotor							
	Pull-Up							
	Rated Load							
Watts:	Rated Load							
Temperature Rise:	@ Rated Load							

DRAWING NO. PAGE REV.
3LU91BH -

3LU91BH

REV.

-

SHADED-POLE & PSC MOTOR PERFORMANCE

MEDIUM-LOW SPEED

HP:	1							
Volts:	115	115	208	230	277	460	100	200
HZ:	60	60	60	60	60	60	50	50
Efficiency:	@ Rated Load							
Power Factor:	@ Rated Load							
Amps:	@ No Load							
	@ Rated Load							
Torques: Oz.Ft.	Breakdown	66.5						
	Locked Rotor							
	Pull-Up							
	Rated Load							
Watts:	Rated Load							
Temperature Rise:	@ Rated Load							
Watts:	Rated Load							
Temperature Rise:	@ Rated Load							
Thermal Protector:	Trip Temp (°C)	140~150						
Winding Material:	Start (Auxiliary)	Copper						
	Run (Main)	Copper						

LOW SPEED

HP:	1							
Volts:	115	120	208	230	277	460	100	200
HZ:	60	60	60	60	60	60	50	50
Efficiency:	@ Rated Load							
Power Factor:	@ Rated Load							
Amps:	@ No Load							
	@ Rated Load							
Torques: Oz.Ft.	Breakdown	54.3						
	Locked Rotor							
	Pull-Up							
	Rated Load							
Watts:	Rated Load							
Temperature Rise:	@ Rated Load							

Notes:

DRAWING NO. PAGE REV.
3LU91BH -

Performance Data



3LU91BH

REV.

-

Dayton Manufacturing Company

Motor Description

Model: 3LU91BH
 Motor ID:
 Poles: 6
 Volts: 115
 Frequency: 60
 HP: 1
 Speed: 1075/4
 Phase: 1
 Protector: 2AM7BUH0500

Test Conditions

Test Type: Run Run Cap: 20
 Test Number: 2 Start Cap: 0ufd
 Poles: 6 Environment:
 Volts: 115 Tested: 8/16/2002 5:44:57 PM
 Hz: 60 Tested By: Jones, Darryl
 Rotation: Gear Ratio: 1:1
 Special Cond: M1 (HIGH SPD) Bearing Friction: -0.61 Oz-Ft
 Speed Conn: Windage Torque: -1.48 Oz-Ft
 TestBoard: Amps Performance Fixture #2

Special Points	Vline (V)	Vaux (V)	Vcap (V)	Iline (A)	Imain (A)	Iaux (A)	Watts	RPM	Tq (Oz-ft)	HP	Eff (%)	PF (%)	Cap
	115.0	333.2	358.0	6.71	7.28	2.651	258	1197	0.00	0.000	0.0	33.4	19.6
	115.0	327.7	347.8	6.84	6.77	2.574	413	1186	15.77	0.223	40.2	52.6	19.6
	115.0	318.6	334.1	7.66	6.95	2.476	606	1173	33.89	0.473	58.2	68.8	19.7
	115.0	308.9	321.9	8.65	7.60	2.387	770	1160	48.34	0.668	64.7	77.4	19.7
	115.0	298.4	309.0	9.85	8.60	2.294	933	1146	61.50	0.839	67.1	82.4	19.7
	115.0	286.8	295.6	11.16	9.83	2.198	1093	1131	73.00	0.983	67.1	85.2	19.7
1 HP	115.0	285.4	294.0	11.31	9.97	2.186	1110	1130	74.35	1.000	67.2	85.3	19.7
	115.0	274.5	281.6	12.55	11.21	2.096	1249	1115	82.81	1.100	65.7	86.5	19.7
	115.0	261.2	267.2	14.01	12.71	1.991	1404	1098	91.35	1.194	63.5	87.1	19.8
	115.0	247.8	252.7	15.46	14.19	1.887	1550	1080	97.88	1.258	60.6	87.2	19.8
1075 RPM	115.0	244.6	249.3	15.80	14.55	1.864	1582	1075	99.15	1.269	59.8	87.1	19.8
	115.0	233.8	238.4	16.90	15.72	1.783	1685	1060	102.47	1.293	57.2	86.7	19.8
	115.0	219.9	224.2	18.31	17.24	1.681	1813	1038	105.36	1.301	53.5	86.1	19.9
BDT OZ-FT	115.0	206.1	210.8	19.66	18.69	1.584	1930	1014	106.69	1.288	49.8	85.3	19.9
	115.0	206.1	210.8	19.66	18.69	1.584	1930	1014	106.69	1.288	49.8	85.3	19.9
	115.0	192.2	197.8	20.97	20.11	1.489	2036	988	106.36	1.251	45.8	84.4	20.0
	115.0	178.6	185.7	22.22	21.47	1.402	2132	959	104.57	1.194	41.8	83.4	20.0
	115.0	165.4	174.4	23.41	22.77	1.321	2221	929	101.65	1.124	37.8	82.5	20.1
	115.0	152.6	164.5	24.51	23.98	1.248	2295	896	97.82	1.043	33.9	81.4	20.1
	115.0	140.6	155.8	25.55	25.11	1.187	2363	860	93.05	0.953	30.1	80.4	20.2
	115.0	129.0	148.3	26.52	26.21	1.133	2415	821	87.38	0.854	26.4	79.2	20.3
	115.0	117.9	142.1	27.41	27.19	1.088	2466	779	81.53	0.756	22.9	78.2	20.3
	115.0	107.8	137.4	28.22	28.09	1.053	2511	734	75.43	0.659	19.6	77.4	20.3
	115.0	98.0	133.6	28.97	28.92	1.026	2548	685	68.78	0.561	16.4	76.5	20.4
	115.0	88.7	130.9	29.64	29.66	1.007	2580	632	61.88	0.466	13.5	75.7	20.4
	115.0	80.4	129.5	30.23	30.33	0.998	2608	576	55.24	0.379	10.8	75.0	20.4
	115.0	72.3	128.5	30.77	30.92	0.989	2628	516	48.43	0.297	8.4	74.3	20.4
	115.0	64.3	128.3	31.24	31.47	0.977	2648	451	41.83	0.224	6.3	73.7	20.2
	115.0	58.0	128.8	31.63	31.92	0.985	2659	382	34.91	0.159	4.5	73.1	20.3
	115.0	52.3	130.2	31.95	32.29	0.990	2670	309	29.39	0.108	3.0	72.7	20.2
	115.0	47.0	131.3	32.16	32.54	0.995	2676	230	24.47	0.067	1.9	72.4	20.1
	115.0	43.1	133.3	32.28	32.70	1.013	2676	147	21.35	0.037	1.0	72.1	20.2

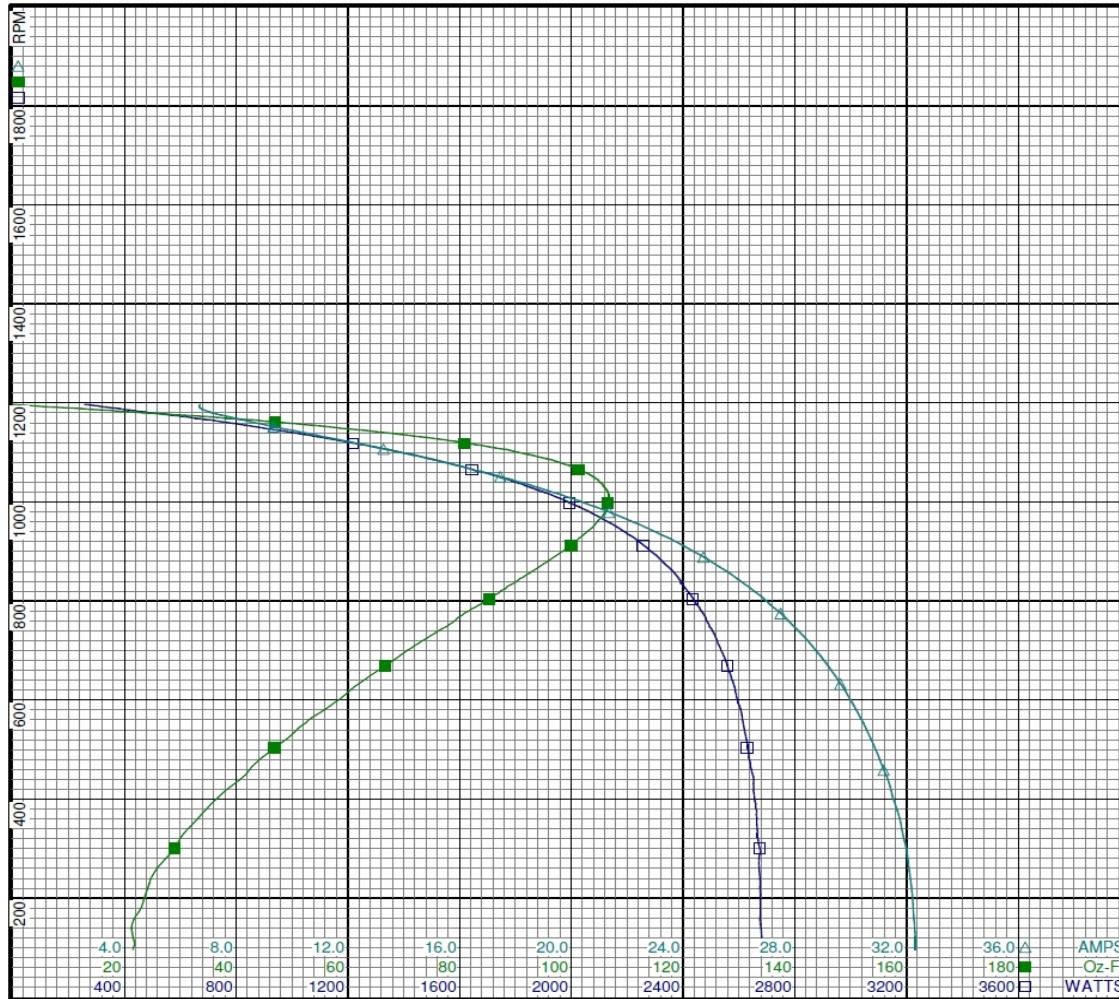
DRAWING NO. PAGE 1 of 8 REV.
3LU91BH -

Performance Data



3LU91BH

REV.
-



Curve Descriptions:
 Motor(1) Test 2 Run 115V 60 Hz 6P
 M1 (HIGH SPD) 20ufd Run
 □ SPEED vs WATTS
 ■ SPEED vs TORQUE
 △ SPEED vs ILine

Motor Ratings:
 (1) 3LU91BH

DRAWING NO. PAGE 2 of 8 REV.
 3LU91BH -

Dayton Electric Mfg. Co. Lake Forest, IL 60045 USA

Performance Data



3LU91BH

REV.

-

Dayton Manufacturing Company

Motor Description

Model: 3LU91BH
 Motor ID:
 Poles: 6
 Volts: 115
 Frequency: 60
 HP: 1
 Speed: 1075/4
 Phase: 1
 Protector: 2AM7BUH0500

Test Conditions

Test Type: Run
 Test Number: 3
 Poles: 6
 Volts: 115
 Hz: 60
 Rotation:
 Special Cond: M2 (MED HI)
 Speed Conn:
 TestBoard: Amtps Performance Fixture #2
 Run Cap: 20
 Start Cap: 0µfd
 Environment:
 Tested: 8/16/2002 5:27:53 PM
 Tested By: Jones, Darryl
 Gear Ratio: 1:1
 Bearing Friction: -0.92 Oz-Ft
 Windage Torque: -1.96 Oz-Ft

Special Points	Vline(V)	Vaux(V)	Vcap(V)	Iline(A)	Imain(A)	Iaux(A)	Watts	RPM	Tq(Oz-ft)	HP	Eff(%)	PF(%)	Cap
	115.0	311.6	330.9	4.16	4.64	2.461	193	1197	0.00	0.000	0.0	40.4	19.7
	115.0	305.5	318.6	4.57	4.28	2.366	327	1185	12.91	0.182	41.5	62.3	19.7
	115.0	293.0	301.2	5.54	4.62	2.233	492	1171	28.42	0.396	60.2	77.1	19.7
	115.0	282.3	288.1	6.55	5.40	2.136	622	1159	39.63	0.547	65.6	82.5	19.7
	115.0	271.4	274.8	7.67	6.41	2.040	755	1145	50.13	0.683	67.6	85.5	19.7
	115.0	259.7	261.5	8.81	7.54	1.941	879	1130	59.02	0.794	67.4	86.7	19.7
	115.0	248.1	247.8	9.99	8.74	1.844	1003	1114	66.76	0.886	65.9	87.3	19.7
	115.0	235.8	234.3	11.16	9.97	1.745	1119	1097	72.79	0.950	63.4	87.2	19.7
	115.0	223.4	220.8	12.32	11.21	1.646	1229	1078	78.17	1.003	60.9	86.7	19.8
1075 RPM	115.0	221.3	218.7	12.51	11.41	1.629	1245	1075	78.56	1.005	60.2	86.6	19.8
	115.0	211.0	207.7	13.46	12.43	1.550	1334	1058	80.93	1.020	57.0	86.2	19.8
	115.0	198.5	195.0	14.56	13.60	1.458	1428	1037	83.21	1.027	53.7	85.3	19.8
BDT OZ-FT	115.0	187.2	183.7	15.54	14.66	1.376	1509	1015	83.88	1.014	50.1	84.5	19.9
	115.0	186.1	182.6	15.63	14.77	1.367	1517	1013	83.81	1.011	49.7	84.4	19.9
	115.0	174.0	171.1	16.66	15.89	1.285	1596	987	83.39	0.980	45.8	83.3	19.9
	115.0	161.8	160.3	17.62	16.96	1.205	1665	960	81.72	0.933	41.8	82.2	19.9
	115.0	150.1	150.4	18.55	17.99	1.135	1729	929	79.55	0.880	37.9	81.0	20.0
	115.0	138.8	141.5	19.43	18.96	1.068	1785	895	76.15	0.812	33.9	79.9	20.0
	115.0	127.9	133.8	20.23	19.85	1.015	1831	860	72.33	0.740	30.2	78.7	20.1
	115.0	117.5	127.2	20.97	20.68	0.968	1872	822	67.91	0.664	26.5	77.6	20.2
	115.0	107.5	122.0	21.67	21.46	0.929	1908	779	63.12	0.586	22.9	76.6	20.2
	115.0	98.3	117.7	22.30	22.17	0.898	1937	734	57.88	0.506	19.5	75.5	20.2
	115.0	89.3	114.7	22.88	22.83	0.875	1962	685	52.50	0.428	16.3	74.6	20.3
	115.0	80.8	112.4	23.40	23.42	0.859	1982	633	46.95	0.354	13.3	73.6	20.3
	115.0	72.7	111.0	23.86	23.96	0.847	1998	576	41.33	0.283	10.6	72.8	20.2
	115.0	65.1	110.6	24.27	24.43	0.843	2011	517	35.88	0.221	8.2	72.0	20.2
	115.0	58.0	110.5	24.61	24.84	0.846	2017	452	30.47	0.164	6.1	71.3	20.3
	115.0	51.0	111.4	24.89	25.17	0.843	2024	383	26.28	0.120	4.4	70.7	20.1
	115.0	44.8	112.7	25.09	25.42	0.850	2028	309	22.12	0.081	3.0	70.3	20.0
	115.0	40.3	115.1	25.26	25.63	0.866	2035	231	19.51	0.054	2.0	70.0	20.0
	115.0	36.0	117.2	25.36	25.76	0.881	2039	148	18.71	0.033	1.2	69.9	19.9

DRAWING NO. PAGE 3 of 8 REV.
3LU91BH -

Performance Data



3LU91BH

REV.

-

Dayton Manufacturing Company

Motor Description

Model: 3LU91BH
 Motor ID:
 Poles: 6
 Volts: 115
 Frequency: 60
 HP: 1
 Speed: 1075/4
 Phase: 1
 Protector: 2AM7BUH0500

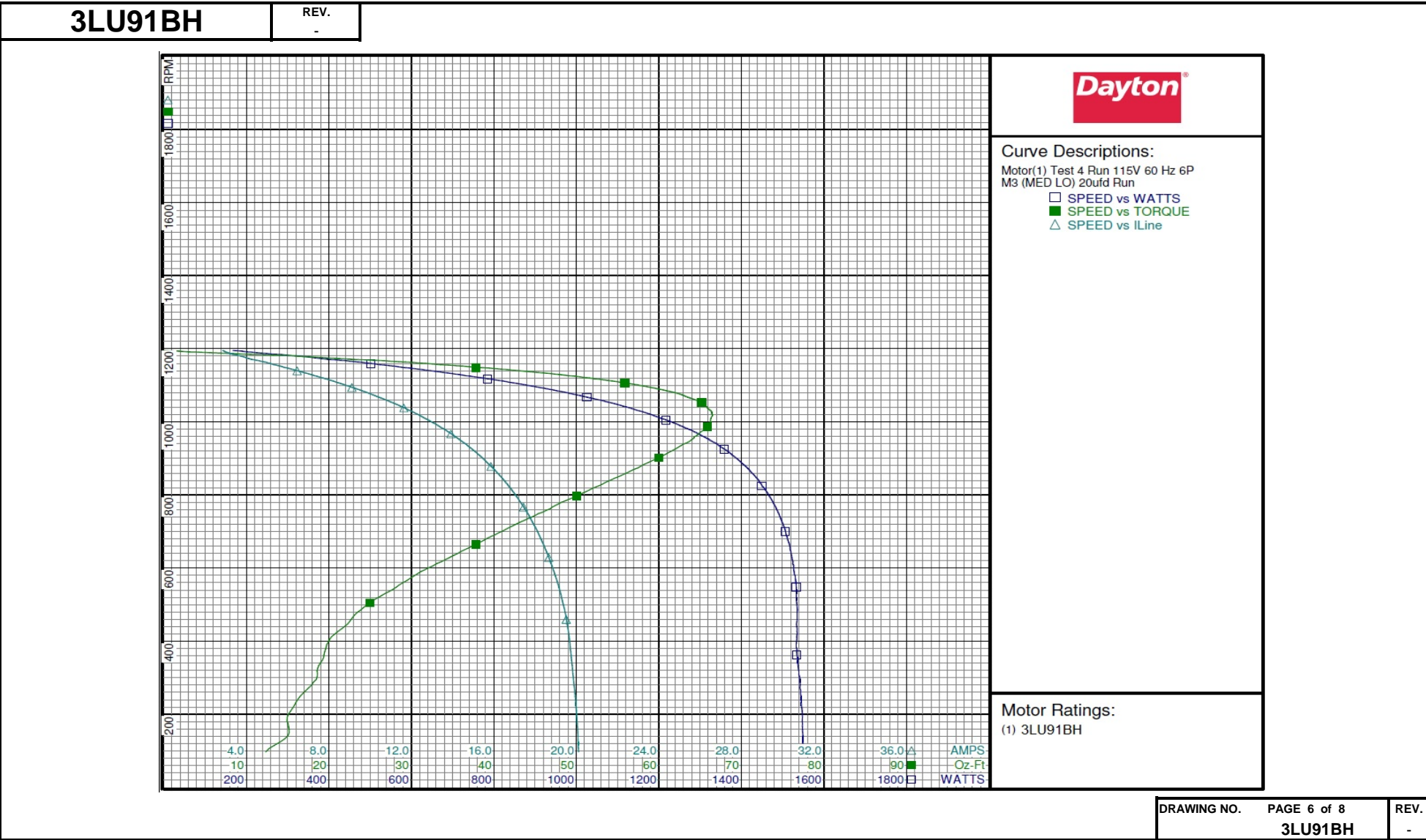
Test Conditions

Test Type: Run
 Test Number: 4
 Poles: 6
 Volts: 115
 Hz: 60
 Rotation:
 Special Cond: M3 (MED LO)
 Speed Conn:
 TestBoard: Amtps Performance Fixture #2
 Run Cap: 20
 Start Cap: 0µfd
 Environment:
 Tested: 8/16/2002 5:06:09 PM
 Tested By: Jones, Darryl
 Gear Ratio: 1:1
 Bearing Friction: -0.99 Oz-Ft
 Windage Torque: -1.91 Oz-Ft

Special Points	Vline(V)	Vaux(V)	Vcap(V)	Iline(A)	Imain(A)	Iaux(A)	Watts	RPM	Tq(Oz-ft)	HP	Eff(%)	PF(%)	Cap
	115.0	293.2	307.7	2.85	3.21	2.280	167.3	1195	0.00	0.000	0.0	51.1	19.7
	115.0	286.3	292.7	3.43	2.92	2.170	284.7	1184	11.95	0.168	44.1	72.1	19.7
	115.0	271.9	273.5	4.38	3.36	2.026	415.2	1170	24.28	0.338	60.7	82.4	19.7
	115.0	259.8	259.9	5.34	4.17	1.919	523.7	1156	33.54	0.462	65.8	85.3	19.7
	115.0	249.1	245.9	6.28	5.08	1.823	626.1	1143	41.56	0.565	67.3	86.7	19.7
	115.0	238.1	233.1	7.22	6.03	1.730	723.7	1128	48.50	0.651	67.1	87.1	19.7
	115.0	226.9	220.0	8.19	7.05	1.634	820.8	1112	54.29	0.718	65.3	87.1	19.7
	115.0	215.9	207.4	9.13	8.05	1.542	909.5	1094	58.98	0.768	63.0	86.7	19.7
	115.0	204.8	195.0	10.04	9.04	1.451	992.3	1076	62.54	0.801	60.2	85.9	19.7
1075 RPM	115.0	204.5	194.7	10.07	9.07	1.448	994.9	1075	62.62	0.801	60.1	85.9	19.7
	115.0	193.5	182.8	10.95	10.04	1.360	1071.6	1055	64.97	0.816	56.8	85.1	19.7
	115.0	182.3	171.1	11.81	11.03	1.276	1141.3	1034	66.10	0.813	53.2	84.0	19.8
BDT OZ-FT	115.0	174.4	163.1	12.42	11.69	1.218	1187.9	1017	66.50	0.805	50.5	83.2	19.8
	115.0	171.3	159.8	12.65	11.95	1.194	1205.4	1009	66.28	0.796	49.3	82.9	19.8
	115.0	160.2	149.5	13.46	12.84	1.118	1262.6	984	65.68	0.769	45.4	81.6	19.8
	115.0	149.6	139.6	14.22	13.70	1.048	1314.8	955	64.26	0.731	41.5	80.4	19.9
	115.0	139.1	130.7	14.94	14.50	0.984	1358.3	925	61.98	0.683	37.5	79.1	20.0
	115.0	128.9	122.9	15.61	15.25	0.930	1396.0	892	59.03	0.627	33.5	77.8	20.1
	115.0	119.3	116.0	16.23	15.95	0.880	1428.3	856	55.76	0.568	29.7	76.5	20.1
	115.0	109.9	110.5	16.81	16.61	0.838	1455.8	817	51.95	0.506	25.9	75.3	20.1
	115.0	101.3	106.0	17.34	17.21	0.807	1478.8	775	47.82	0.441	22.2	74.2	20.2
	115.0	93.1	102.7	17.82	17.76	0.781	1497.2	730	43.64	0.379	18.9	73.0	20.2
	115.0	85.1	100.0	18.27	18.27	0.763	1511.3	681	39.19	0.318	15.7	71.9	20.2
	115.0	77.3	98.3	18.67	18.73	0.751	1522.6	628	34.61	0.259	12.7	70.9	20.3
	115.0	70.2	97.3	19.02	19.14	0.742	1530.6	572	29.87	0.203	9.9	70.0	20.2
	115.0	63.2	96.9	19.32	19.49	0.736	1533.5	511	25.39	0.154	7.5	69.0	20.1
	115.0	56.7	96.5	19.55	19.77	0.726	1533.7	446	22.24	0.118	5.7	68.2	19.9
	115.0	50.3	98.0	19.71	19.99	0.738	1534.6	376	19.57	0.088	4.3	67.7	20.0
	115.0	45.1	100.7	19.84	20.16	0.754	1540.4	303	18.59	0.067	3.2	67.5	19.9
	115.0	40.1	102.4	19.97	20.33	0.769	1545.4	224	15.81	0.042	2.0	67.3	19.9
	115.0	35.6	104.9	20.07	20.46	0.788	1548.9	140	15.03	0.025	1.2	67.1	19.9

DRAWING NO. PAGE 5 of 8 REV.
3LU91BH -

Performance Data



Performance Data



3LU91BH

REV.

-

Dayton Manufacturing Company

Motor Description

Model: 3LU91BH
 Motor ID:
 Poles: 6
 Volts: 115
 Frequency: 60
 HP: 1
 Speed: 1075/4
 Phase: 1
 Protector: 2AM7BUH0500

Test Conditions

Test Type: Run
 Test Number: 5
 Poles: 6
 Volts: 115
 Hz: 60
 Rotation:
 Special Cond: M4 (LO)
 Speed Conn:
 TestBoard: Amtps Performance Fixture #2
 Run Cap: 20
 Start Cap: 0µfd
 Environment:
 Tested: 8/16/2002 4:46:36 PM
 Tested By: Jones, Darryl
 Gear Ratio: 1:1
 Bearing Friction: -0.67 Oz-Ft
 Windage Torque: -1.29 Oz-Ft

Special Points	Vline (V)	Vaux (V)	Vcap (V)	Iline (A)	Imain (A)	Iaux (A)	Watts	RPM	Tq(Oz-ft)	HP	Eff(%)	PF(%)	Cap
	115.0	276.7	287.5	2.118	2.541	2.131	133.1	1196	0.00	0.000	0.00	54.6	19.7
	115.0	271.2	273.6	2.698	2.204	2.025	234.2	1184	9.62	0.136	43.2	75.5	19.6
	115.0	255.9	252.8	3.559	2.565	1.871	342.8	1170	20.14	0.281	61.1	83.8	19.6
	115.0	243.1	237.3	4.399	3.294	1.757	435.2	1157	28.10	0.387	66.4	86.0	19.6
	115.0	232.8	224.6	5.188	4.065	1.664	518.2	1143	34.54	0.470	67.6	86.9	19.7
	115.0	222.8	212.3	5.971	4.870	1.574	597.8	1128	40.16	0.539	67.3	87.1	19.7
	115.0	212.3	200.1	6.761	5.712	1.484	673.9	1112	44.69	0.592	65.5	86.7	19.7
	115.0	202.5	188.4	7.525	6.537	1.399	745.1	1095	48.46	0.632	63.3	86.1	19.7
	115.0	192.3	176.8	8.283	7.368	1.312	811.6	1077	51.29	0.658	60.4	85.2	19.7
1075 RPM	115.0	191.4	175.8	8.354	7.447	1.304	817.9	1075	51.51	0.659	60.1	85.1	19.7
	115.0	182.2	165.5	9.021	8.182	1.230	873.4	1057	53.10	0.668	57.1	84.2	19.7
	115.0	172.1	154.6	9.732	8.974	1.150	929.3	1035	54.04	0.666	53.5	83.0	19.7
BDT OZ-FT	115.0	165.1	147.4	10.213	9.516	1.098	965.6	1019	54.30	0.659	50.9	82.2	19.8
	115.0	162.1	144.3	10.412	9.744	1.074	979.2	1012	54.19	0.653	49.7	81.8	19.8
	115.0	152.4	134.5	11.057	10.500	1.005	1023.7	986	53.56	0.629	45.8	80.5	19.8
	115.0	142.9	125.6	11.682	11.203	0.940	1063.2	959	52.18	0.596	41.8	79.1	19.9
	115.0	133.5	117.5	12.265	11.869	0.882	1097.0	928	50.34	0.556	37.8	77.8	19.9
	115.0	124.4	110.1	12.814	12.488	0.828	1126.2	895	47.86	0.510	33.8	76.4	20.0
	115.0	115.6	104.0	13.321	13.070	0.785	1149.9	860	45.04	0.461	29.9	75.1	20.0
	115.0	107.4	98.9	13.795	13.614	0.749	1169.8	821	41.85	0.409	26.1	73.7	20.1
	115.0	99.5	94.8	14.227	14.110	0.719	1185.6	779	38.47	0.357	22.5	72.5	20.1
	115.0	91.8	91.5	14.616	14.568	0.697	1197.6	735	34.83	0.305	19.0	71.2	20.2
	115.0	84.8	89.2	14.974	14.984	0.680	1207.9	686	30.97	0.253	15.6	70.1	20.2
	115.0	77.8	87.7	15.290	15.354	0.667	1212.9	634	27.15	0.205	12.6	69.0	20.2
	115.0	71.4	86.7	15.578	15.696	0.660	1216.9	577	23.28	0.160	9.8	67.9	20.2
	115.0	65.1	86.2	15.810	15.976	0.654	1216.0	517	19.34	0.119	7.3	66.9	20.1
	115.0	59.2	86.0	15.967	16.182	0.655	1210.7	453	16.16	0.087	5.4	65.9	20.2
	115.0	53.8	86.9	16.060	16.306	0.650	1208.3	384	15.83	0.072	4.5	65.4	19.9
	115.0	48.3	89.5	16.165	16.454	0.668	1216.0	311	16.04	0.059	3.6	65.4	19.8
	115.0	44.1	91.6	16.286	16.608	0.686	1222.7	233	14.25	0.039	2.4	65.3	19.9
	115.0	38.8	93.9	16.383	16.747	0.703	1225.5	149	9.74	0.017	1.1	65.0	19.9

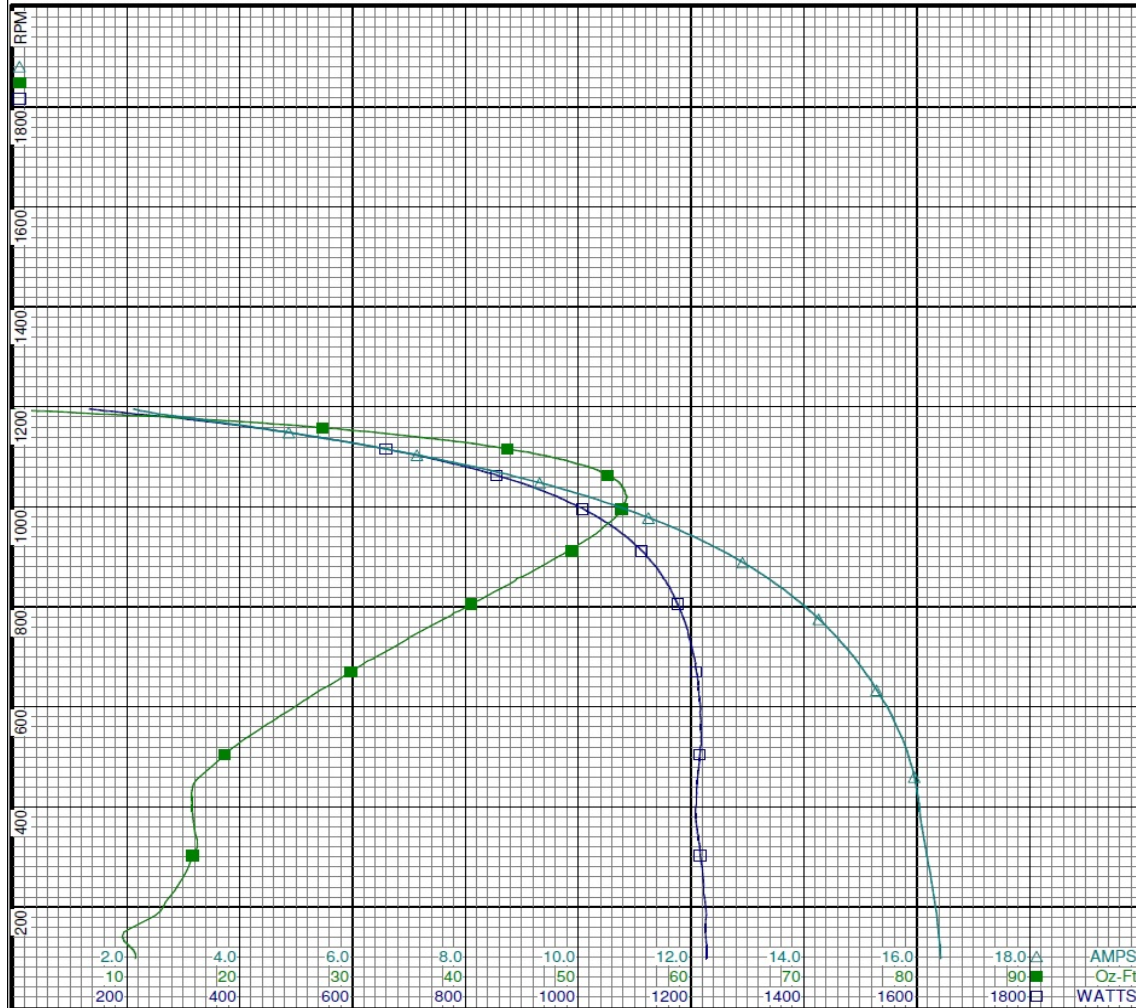
DRAWING NO. PAGE 7 of 8 REV.
3LU91BH -

Performance Data



3LU91BH

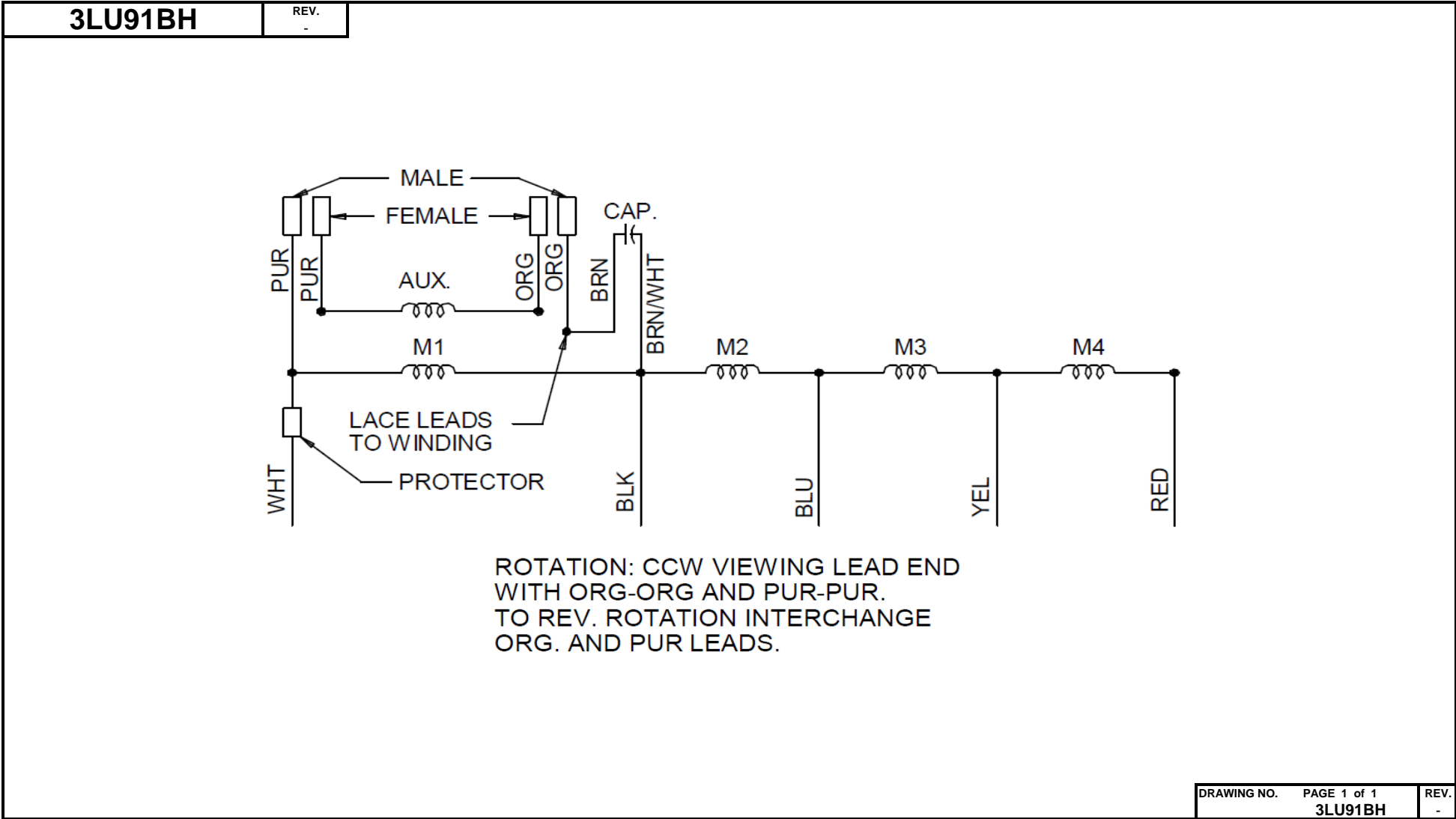
REV.
-



Curve Descriptions:
 Motor(1) Test 5 Run 115V 60 Hz 6P
 M4 (LO) 20ufd Run
 □ SPEED vs WATTS
 ■ SPEED vs TORQUE
 △ SPEED vs ILine

Motor Ratings:
 (1) 3LU91BH

Wiring Diagram



Dayton Electric Mfg. Co. Lake Forest, IL 60045 USA

©2019 W.W. Grainger, Inc. This design may not be reproduced, modified or redistributed without written permission from W.W. Grainger, Inc.

Dayton®

DIRECT DRIVE BLOWER MOTOR

HP: 1
VOLTS: 115
AMPS: 15.8
RPM: 1075 / 4SPD
DUTY: CONT
SF: 1.0
KVA CODE:
ENCL: OAO
THERMALLY PROTECTED: AUTO

MFG. NO. PROT. CODE : 2A090

MTR REF: K55BWKDL-2252

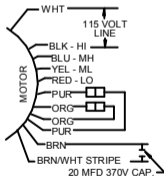
AVG.F.L
EFF.

BAR CODE

Part No 3LU91BH

**Disconnect Power Before Making Any
Electrical Connections or Changes**

TO REVERSE ROTATION
INTERCHANGE ORG
AND PUR LEADS



RU[®]
E37403

SA[®]
258501

Mfd for Dayton Electric Mfg. Co., Lake Forest, IL 60045 USA

Made in China