

Dimensional Drawing



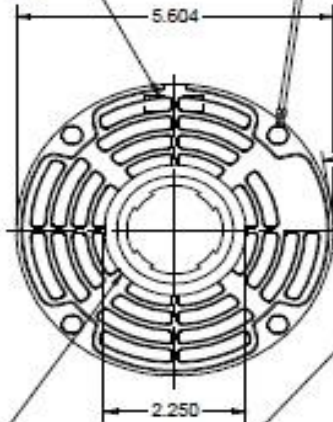
3LU87BH

REV.

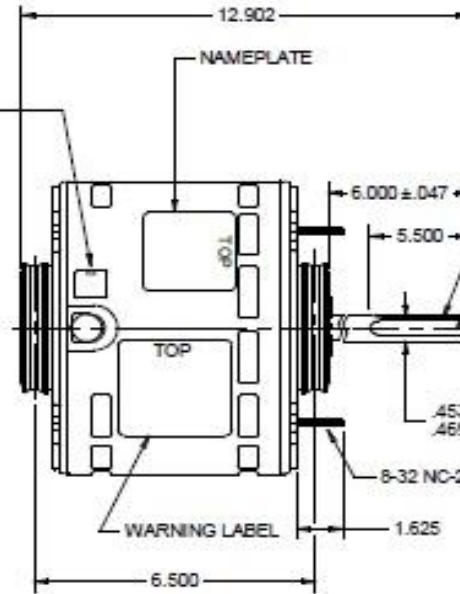
MODEL	REF	CUSTOMER	HP	VOLTS	AMPS	HZ	RPM	ROTATION	CUSTOMER PN	DESCRIPTION / REMARKS
K55HXXDJ-2308		DAYTON	3/4	115	10.6	60	1075	C.CW. LEAD END REV	3LU87BH	SAB

#16 GRN/YEL GROUND LEAD TO BE 12±.250 BETWEEN CENTERS OF TERMS. TERM. TO FIT #10 SCREW.

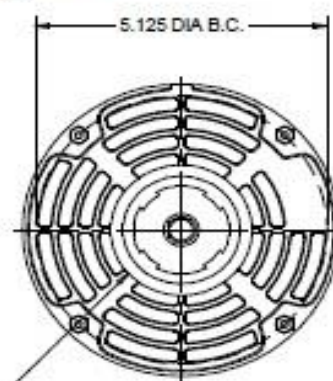
AUTOMATIC THERMAL PROTECTOR



WARNING LABEL TO BE ADJACENT TO REVERSING LEADS



DOUBLE SHAFT FLAT 90° APART



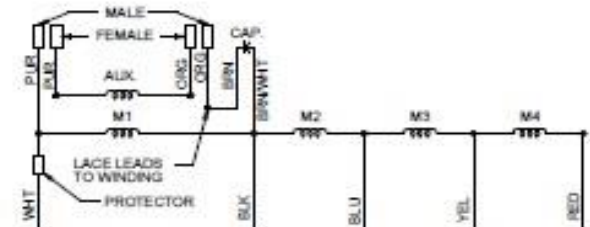
INCLUDE KIT FOR 2.5 HUB RING ASSEMBLY

.750±.062 SKINNED (2).250 FLAG TYPE Q.C. TERMS.

ROTATION: CCW VIEWING LEAD END WITH ORG-ORG AND PUR-PUR. TO REV. ROTATION INTERCHANGE ORG. AND PUR LEADS.

6 LEADS, #18, .031 THICK INSUL. TO EXTEND BEYOND MOTOR.
 WHT =30.000 +2 -0 ,BLK =30.000 +2 -0, YEL =30.000 +2 -0,
 BLU =30.000 +2 -0 ,RED =30.000 +2 -0,
 BRN =30.000 +2 -0 ,BRNWHIT =30.000 +2 -0

DIMENSIONS UNITS, INCHES



REFER TO S.E.I.M. 24-1

DRAWING NO.	PAGE 1 of 1	REV.
3LU87BH		-

3LU87BH

REV.
-

SHADED-POLE & PSC MOTOR PERFORMANCE

HP:	3/4							
Poles:	6							
Ambient (°C):	40							
Altitude (FASL):	1000							
No. of Speeds:	4							
HIGH SPEED								
Volts:	115	115	208	230	277	460	100	200
HZ:	60	60	60	60	60	60	50	50
Service Factor:	1.0							
Efficiency:	@ Rated Load	62.9						
Power Factor:	@ Rated Load	81.9						
Amps:	@ No Load							
	@ Rated Load	10.25						
	@ Locked Rotor	22.3						
RPM:	@ Rated Load	1075						
Torques: Oz.Ft.	Breakdown	78.5						
	Locked Rotor	12.7						
	Pull-Up							
	Rated Load	63.5						
	Service Factor	1.0						
Watts:	Rated Load	965						
Temperature Rise:	@ Rated Load							
Thermal Protector:	Trip Temp (°C)	140~150						
Winding Material:	Start (Auxiliary)	Copper						
	Run (Main)	Copper						
Capacitor:	Run (MFD / Volts)	15.0 MFD 370V						
	No. of Run Capacitors	1						

MEDIUM-HIGH SPEED

HP:	3/4							
Volts:	115	115	208	230	277	460	100	200
HZ:	60	60	60	60	60	60	50	50
Efficiency:	@ Rated Load							
Power Factor:	@ Rated Load							
Amps:	@ No Load							
	@ Rated Load							
	@ Locked Rotor							
Torques: Oz.Ft.	Breakdown	60.5						
	Locked Rotor							
	Pull-Up							
	Rated Load							
Watts:	Rated Load							
Temperature Rise:	@ Rated Load							

DRAWING NO. PAGE REV.
3LU87BH -

3LU87BH

REV.

-

SHADED-POLE & PSC MOTOR PERFORMANCE

MEDIUM-LOW SPEED

HP:	3/4							
Volts:	115	115	208	230	277	460	100	200
HZ:	60	60	60	60	60	60	50	50
Efficiency:	@ Rated Load							
Power Factor:	@ Rated Load							
Amps:	@ No Load							
	@ Rated Load							
Torques: Oz.Ft.	Breakdown	41.6						
	Locked Rotor							
	Pull-Up							
	Rated Load							
Watts:	Rated Load							
Temperature Rise:	@ Rated Load							
Watts:	Rated Load							
Temperature Rise:	@ Rated Load							
Thermal Protector:	Trip Temp (°C)	140~150						
Winding Material:	Start (Auxiliary)	Copper						
	Run (Main)	Copper						

LOW SPEED

HP:	3/4							
Volts:	115	120	208	230	277	460	100	200
HZ:	60	60	60	60	60	60	50	50
Efficiency:	@ Rated Load							
Power Factor:	@ Rated Load							
Amps:	@ No Load							
	@ Rated Load							
Torques: Oz.Ft.	Breakdown	30.1						
	Locked Rotor							
	Pull-Up							
	Rated Load							
Watts:	Rated Load							
Temperature Rise:	@ Rated Load							

Notes:

DRAWING NO. PAGE REV.
3LU87BH -

Performance Data



3LU87BH

REV.

-

Dayton Manufacturing Company

Motor Description

Model: 3LU87BH
 Motor ID: #1
 Poles: 6
 Volts: 115
 Frequency: 60
 HP: 3/4
 Speed: 1075
 Phase: 1
 Protector: 7AM036A5

Test Conditions

Test Type: Run
 Test Number: 2
 Poles: 6
 Volts: 115
 Hz: 60
 Rotation:
 Special Cond: M1 (HIGH SPD)
 Speed Conn:
 TestBoard: Amps Performance Fixture #3
 Run Cap: 15
 Start Cap: 0µfd
 Environment:
 Tested: 11/4/2002 4:14:23 PM
 Tested By: Crocker, Jason
 Gear Ratio: 1:1
 Bearing Friction: -0.56 Oz-Ft
 Windage Torque: -1.16 Oz-Ft

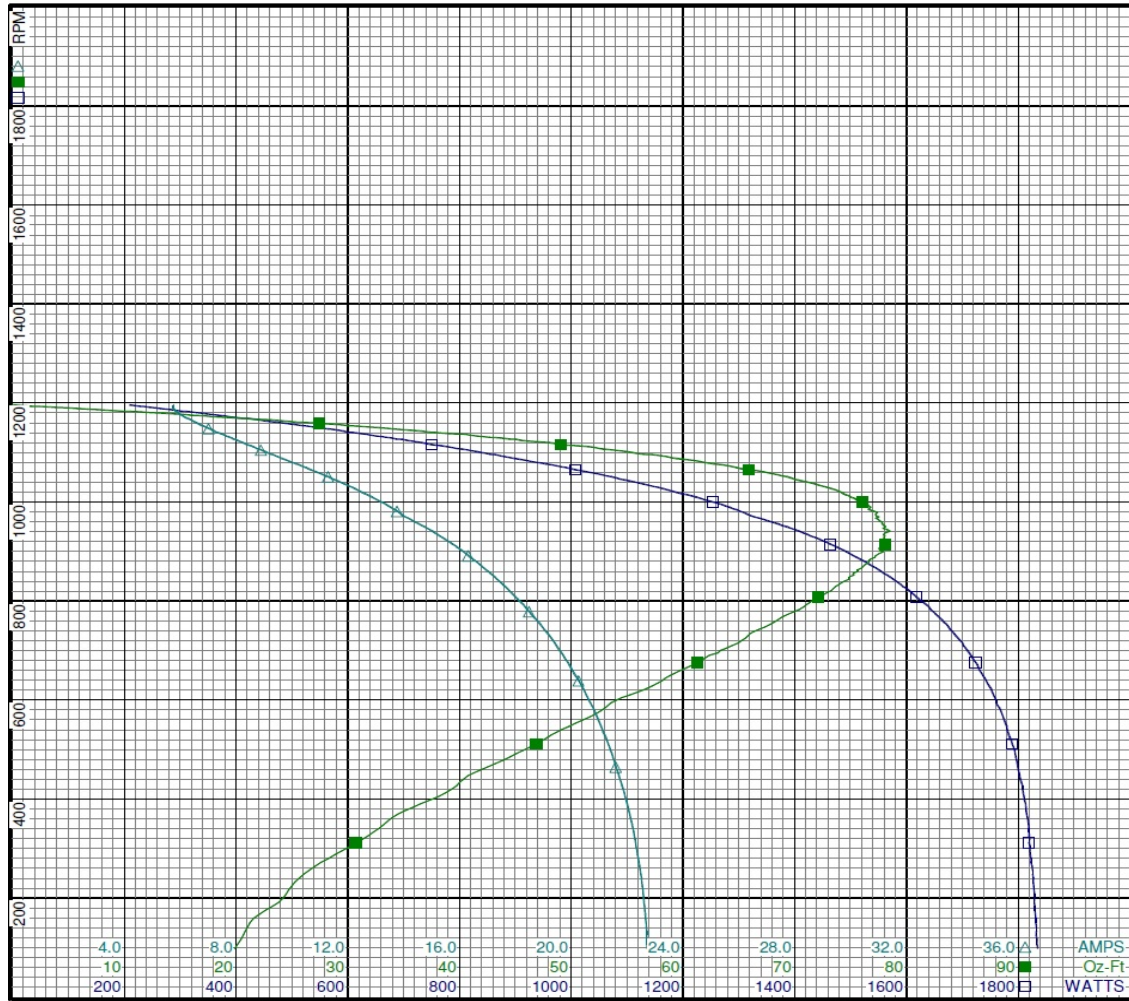
Special Points	Vline (V)	Vaux (V)	Vcap (V)	Iline (A)	Imain (A)	Iaux (A)	Watts	RPM	Tq(Oz-ft)	HP	Eff (%)	PF (%)	Cap
	115.0	363.2	365.0	5.76	5.74	0.333	209.4	1196	0.00	0.000	0.0	31.6	2.4
	115.0	354.7	356.3	5.83	5.83	0.318	302.2	1183	9.76	0.138	34.0	45.0	2.4
	115.0	345.9	347.6	6.19	6.18	0.185	399.7	1171	19.35	0.270	50.3	56.1	1.4
	115.0	337.5	339.1	6.67	6.65	0.232	498.9	1157	28.56	0.393	58.8	65.0	1.8
	115.0	328.3	329.9	7.22	7.21	0.183	591.4	1143	36.51	0.497	62.7	71.2	1.5
	115.0	318.6	320.1	7.84	7.83	0.173	677.8	1129	43.64	0.587	64.6	75.2	1.4
	115.0	307.9	309.3	8.53	8.52	0.194	767.6	1113	50.55	0.670	65.1	78.2	1.7
	115.0	297.0	298.4	9.26	9.25	0.166	855.2	1096	56.49	0.737	64.3	80.3	1.5
0.75 HP	115.0	295.5	296.8	9.36	9.35	0.159	867.0	1095	57.56	0.750	64.5	80.6	1.4
	115.0	284.8	286.0	10.09	10.07	0.146	946.4	1078	62.26	0.799	63.0	81.6	1.4
1075 RPM	115.0	282.4	283.7	10.25	10.24	0.184	964.6	1075	63.50	0.813	62.9	81.8	1.7
	115.0	272.3	273.5	10.94	10.92	0.192	1035.3	1059	67.53	0.851	61.3	82.3	1.9
	115.0	259.4	260.3	11.81	11.80	0.167	1120.9	1038	71.49	0.883	58.8	82.6	1.7
	115.0	246.1	246.9	12.70	12.69	0.161	1207.9	1015	74.54	0.900	55.6	82.7	1.7
	115.0	232.9	233.8	13.55	13.52	0.283	1283.7	989	76.79	0.904	52.5	82.4	3.2
	115.0	220.5	221.1	14.34	14.31	0.233	1352.2	962	77.60	0.888	49.0	82.0	2.8
BDT OZ-FT	115.0	210.9	211.4	15.03	15.00	0.232	1408.2	941	78.51	0.879	46.6	81.5	2.9
	115.0	206.9	207.4	15.30	15.28	0.178	1428.9	931	78.05	0.865	45.2	81.2	2.3
	115.0	195.0	195.5	16.15	16.12	0.209	1492.4	899	77.90	0.834	41.7	80.4	2.8
	115.0	183.5	183.7	16.95	16.93	0.327	1550.6	862	75.61	0.776	37.3	79.5	4.7
	115.0	173.3	173.5	17.71	17.68	0.191	1600.1	825	73.48	0.722	33.6	78.6	2.9
	115.0	164.4	164.4	18.42	18.40	0.248	1643.3	783	70.40	0.656	29.8	77.6	4.0
	115.0	156.5	156.4	19.10	19.07	0.217	1682.5	738	66.34	0.583	25.8	76.6	3.7
	115.0	150.0	149.8	19.70	19.68	0.306	1714.7	690	62.39	0.513	22.3	75.7	5.4
	115.0	144.6	144.3	20.26	20.25	0.175	1742.6	639	58.12	0.442	18.9	74.8	3.2
	115.0	140.1	139.8	20.78	20.76	0.154	1766.4	584	53.00	0.368	15.6	73.9	2.9
	115.0	137.2	136.9	21.24	21.22	0.289	1785.3	523	47.83	0.298	12.5	73.1	5.6
	115.0	134.9	134.4	21.64	21.63	0.098	1800.1	459	41.90	0.229	9.5	72.3	1.9
	115.0	133.9	133.4	22.00	21.99	0.120	1813.2	390	36.55	0.170	7.0	71.7	2.4
	115.0	133.4	132.9	22.28	22.27	0.079	1820.4	318	31.32	0.119	4.9	71.0	1.6
	115.0	135.3	134.8	22.51	22.50	0.081	1827.1	240	25.66	0.073	3.0	70.6	1.6
	115.0	137.3	136.9	22.66	22.65	0.079	1831.4	158	21.56	0.041	1.7	70.3	1.5

DRAWING NO. PAGE 1 of 8 REV.
 3LU87BH -

Performance Data



3LU87BH REV.
-



Curve Descriptions:
 Motor(1) Test 2 Run 115V 60 Hz 6P
 M1 (HIGH SPD) 15ufd Run
 □ SPEED vs WATTS
 ■ SPEED vs TORQUE
 △ SPEED vs ILine

Motor Ratings:
 (1) 3LU87BH

4.0	8.0	12.0	16.0	20.0	24.0	28.0	32.0	36.0	AMPS
10	20	30	40	50	60	70	80	90	-Oz-Ft
200	400	600	800	1000	1200	1400	1600	1800	WATTS

DRAWING NO.	PAGE 2 of 8	REV.
3LU87BH		-

Performance Data



3LU87BH

REV.

-

Dayton Manufacturing Company

Motor Description

Model: 3LU87BH
 Motor ID: #1
 Poles: 6
 Volts: 115
 Frequency: 60
 HP: 3/4
 Speed: 1075
 Phase: 1
 Protector: 7AM036A5

Test Conditions

Test Type: Run
 Test Number: 3
 Poles: 6
 Volts: 115
 Hz: 60
 Rotation:
 Special Cond: M2 (MED HI)
 Speed Conn:
 TestBoard: Amtps Performance Fixture #3
 Run Cap: 15
 Start Cap: 0µfd
 Environment:
 Tested: 11/4/2002 3:57:16 PM
 Tested By: Crocker, Jason
 Gear Ratio: 1:1
 Bearing Friction: -0.64 Oz-Ft
 Windage Torque: -1.16 Oz-Ft

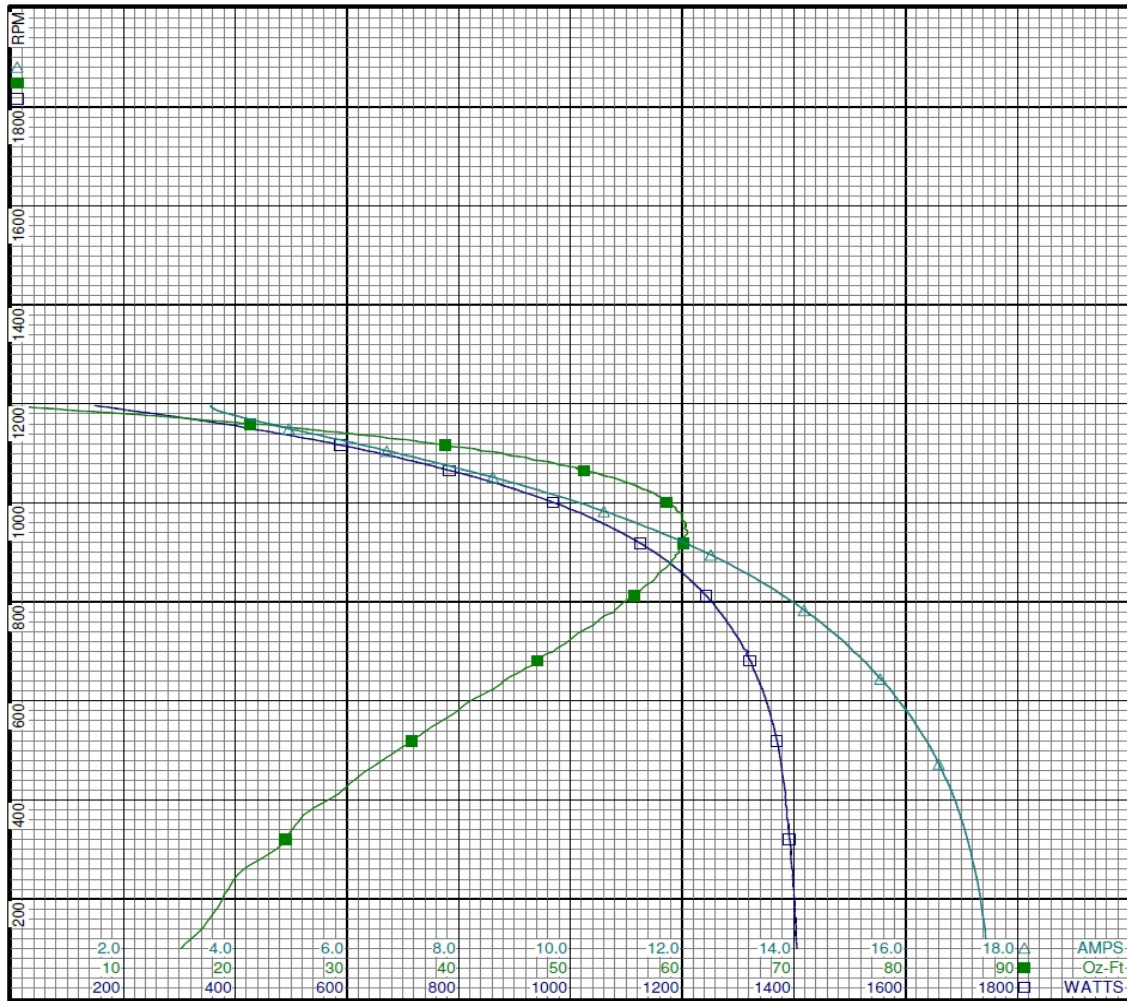
Special Points	Vline (V)	Vaux (V)	Vcap (V)	Iline (A)	Imain (A)	Iaux (A)	Watts	RPM	Tq(Oz-ft)	HP	Eff (%)	PF (%)	Cap
	115.0	337.2	338.9	3.556	3.543	0.399	148.6	1196	0.00	0.000	0.0	36.3	3.1
	115.0	327.6	329.3	3.741	3.729	0.367	226.5	1184	7.35	0.104	34.1	52.6	3.0
	115.0	317.0	318.6	4.154	4.143	0.336	306.4	1172	15.01	0.209	51.0	64.1	2.8
	115.0	306.7	308.3	4.663	4.655	0.294	385.0	1159	22.08	0.305	59.0	71.8	2.5
	115.0	295.6	297.0	5.253	5.246	0.249	465.5	1143	29.04	0.395	63.3	77.1	2.2
	115.0	285.9	287.1	5.807	5.797	0.331	533.5	1129	34.41	0.463	64.7	79.9	3.1
	115.0	275.4	276.6	6.397	6.390	0.325	601.7	1113	39.44	0.523	64.8	81.8	3.1
	115.0	264.2	265.3	7.037	7.031	0.486	671.8	1097	44.40	0.580	64.4	83.0	4.9
	115.0	253.0	254.1	7.673	7.665	0.504	737.1	1079	48.71	0.626	63.3	83.5	5.3
1075 RPM	115.0	250.5	251.5	7.816	7.808	0.594	751.2	1075	49.51	0.634	62.9	83.6	6.3
	115.0	241.3	242.2	8.346	8.340	0.438	804.7	1059	52.43	0.661	61.3	83.8	4.8
	115.0	229.4	230.2	9.027	9.019	0.326	869.1	1039	55.33	0.684	58.8	83.7	3.8
	115.0	217.3	217.9	9.719	9.706	0.467	932.1	1015	57.71	0.698	55.8	83.4	5.7
	115.0	205.2	205.8	10.397	10.421	0.287	993.2	990	59.40	0.700	52.6	83.1	3.7
	115.0	193.2	193.8	11.074	11.095	0.348	1047.7	964	60.06	0.689	49.1	82.3	4.8
BDT OZ-FT	115.0	184.0	184.4	11.607	11.628	0.504	1091.0	940	60.49	0.677	46.3	81.7	7.3
	115.0	181.6	182.2	11.743	11.763	0.582	1100.8	934	60.27	0.670	45.4	81.5	8.5
	115.0	170.5	171.0	12.382	12.398	0.383	1148.0	902	59.72	0.641	41.7	80.6	5.9
	115.0	160.5	160.7	13.001	13.015	0.359	1191.4	866	58.39	0.602	37.7	79.7	5.9
	115.0	151.1	151.3	13.580	13.586	0.323	1228.1	830	56.53	0.558	33.9	78.6	5.7
	115.0	142.9	142.8	14.128	14.136	0.233	1261.3	788	54.21	0.508	30.1	77.6	4.3
	115.0	135.7	135.6	14.643	14.649	0.498	1290.4	743	51.23	0.453	26.2	76.6	9.7
	115.0	129.8	129.6	15.115	15.116	0.350	1314.3	696	47.91	0.397	22.5	75.6	7.2
	115.0	124.7	124.5	15.550	15.555	0.534	1335.1	644	44.30	0.340	19.0	74.7	11.4
	115.0	120.9	120.5	15.947	15.947	0.271	1353.4	589	40.40	0.283	15.6	73.8	6.0
	115.0	118.0	117.7	16.306	16.305	0.392	1367.5	530	36.53	0.231	12.6	72.9	8.8
	115.0	115.7	115.4	16.621	16.616	0.325	1377.8	466	32.27	0.179	9.7	72.1	7.5
	115.0	115.0	114.4	16.885	16.871	0.235	1385.6	399	28.25	0.134	7.2	71.4	5.4
	115.0	116.1	115.6	17.085	17.077	0.094	1391.5	328	24.70	0.096	5.2	70.8	2.2
	115.0	118.8	118.3	17.255	17.243	0.084	1397.1	249	20.25	0.060	3.2	70.4	1.9
	115.0	121.9	121.5	17.375	17.362	0.081	1401.1	168	17.96	0.036	1.9	70.1	1.8

DRAWING NO. PAGE 3 of 8 REV.
3LU87BH -

Performance Data



3LU87BH REV. -



Dayton

Curve Descriptions:
 Motor(1) Test 3 Run 115V 60 Hz 6P
 M2 (MED HI) 15ufd Run
 □ SPEED vs WATTS
 ■ SPEED vs TORQUE
 △ SPEED vs ILine

Motor Ratings:
 (1) 3LU87BH

DRAWING NO. PAGE 4 of 8 REV.
3LU87BH -

©2019 W.W. Grainger, Inc. This design may not be reproduced, modified or redistributed without written permission from W.W. Grainger, Inc.

Performance Data



3LU87BH

REV.

-

Dayton Manufacturing Company

Motor Description

Model: 3LU87BH
 Motor ID: #1
 Poles: 6
 Volts: 115
 Frequency: 60
 HP: 3/4
 Speed: 1075
 Phase: 1
 Protector: 7AM036A5

Test Conditions

Test Type: Run
 Test Number: 4
 Poles: 6
 Volts: 115
 Hz: 60
 Rotation:
 Special Cond: M3 (MED LO)
 Speed Conn:
 TestBoard: Amps Performance Fixture #3
 Run Cap: 15
 Start Cap: 0µfd
 Environment:
 Tested: 11/4/2002 3:45:35 PM
 Tested By: Crocker, Jason
 Gear Ratio: 1:1
 Bearing Friction: -0.77 Oz-Ft
 Windage Torque: -1.21 Oz-Ft

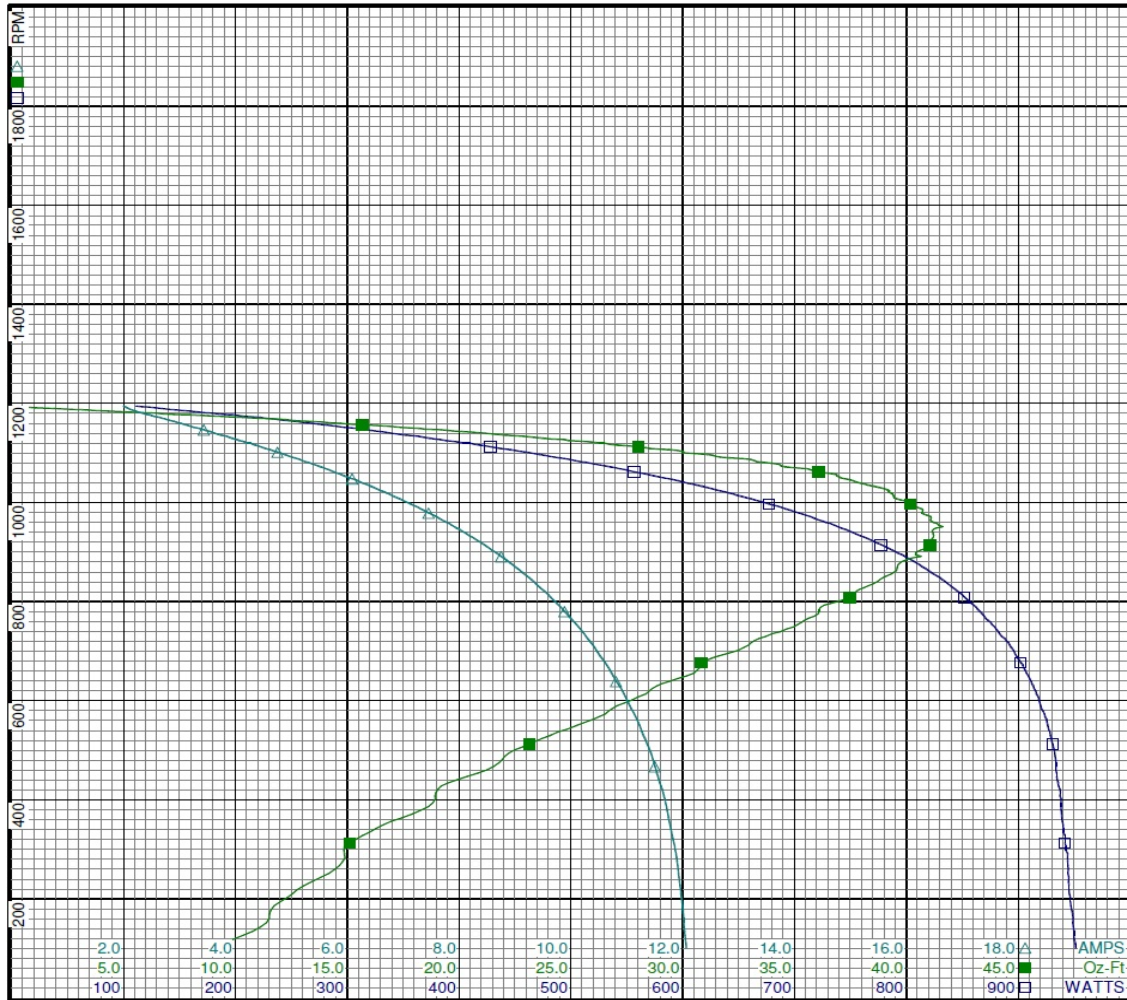
Special Points	Vline (V)	Vaux (V)	Vcap (V)	Iline (A)	Imain (A)	Iaux (A)	Watts	RPM	Tq(Oz-ft)	HP	Eff (%)	PF (%)	Cap
	115.0	300.5	301.9	1.997	1.978	0.225	111.1	1195	0.00	0.000	0.0	48.4	2.0
	115.0	288.4	289.8	2.295	2.278	0.212	172.1	1181	5.85	0.082	35.7	65.2	1.9
	115.0	273.6	275.0	2.733	2.717	0.153	232.3	1169	11.66	0.162	52.1	73.9	1.5
	115.0	262.0	263.3	3.157	3.144	0.211	285.1	1155	16.35	0.225	58.8	78.5	2.1
	115.0	251.7	252.7	3.585	3.572	0.214	334.2	1142	20.63	0.280	62.6	81.1	2.2
	115.0	240.2	241.2	4.072	4.062	0.238	388.4	1125	24.91	0.334	64.1	83.0	2.6
	115.0	229.6	230.6	4.535	4.527	0.191	437.0	1109	28.52	0.377	64.3	83.8	2.2
	115.0	219.9	220.7	4.965	4.957	0.207	480.7	1093	31.47	0.410	63.6	84.2	2.5
	115.0	209.3	210.3	5.433	5.427	0.179	526.1	1076	34.36	0.440	62.4	84.2	2.3
1075 RPM	115.0	209.0	210.0	5.447	5.440	0.182	527.4	1075	34.37	0.440	62.2	84.2	2.3
	115.0	199.0	199.7	5.899	5.893	0.200	569.9	1056	36.88	0.464	60.7	84.0	2.7
	115.0	188.1	188.8	6.378	6.370	0.205	612.6	1035	38.27	0.472	57.4	83.5	2.9
	115.0	177.8	178.3	6.842	6.834	0.159	653.2	1012	39.44	0.475	54.2	83.0	2.4
	115.0	167.1	167.7	7.315	7.305	0.203	691.9	987	40.69	0.478	51.5	82.2	3.2
	115.0	156.9	157.3	7.780	7.771	0.188	728.1	960	41.22	0.471	48.3	81.4	3.2
BDT OZ-FT	115.0	154.0	154.3	7.916	7.907	0.194	738.8	951	41.63	0.471	47.6	81.2	3.3
	115.0	147.0	147.4	8.233	8.224	0.205	762.2	930	41.19	0.456	44.6	80.5	3.7
	115.0	137.8	138.1	8.672	8.662	0.221	792.7	897	40.40	0.432	40.6	79.5	4.2
	115.0	129.1	129.2	9.088	9.079	0.240	819.6	862	39.55	0.406	37.0	78.4	4.9
	115.0	121.5	121.5	9.488	9.479	0.199	843.8	824	37.90	0.372	32.9	77.3	4.3
	115.0	114.8	114.7	9.853	9.845	0.168	863.7	784	36.10	0.337	29.1	76.2	3.9
	115.0	109.3	109.0	10.206	10.195	0.176	882.2	739	34.36	0.302	25.6	75.2	4.3
	115.0	104.5	104.3	10.521	10.521	0.182	898.1	690	31.62	0.260	21.6	74.2	4.6
	115.0	101.0	100.5	10.810	10.810	0.147	911.6	639	29.39	0.223	18.3	73.3	3.9
	115.0	97.7	97.3	11.081	11.081	0.165	920.8	583	26.83	0.186	15.1	72.3	4.5
	115.0	95.9	95.5	11.322	11.314	0.158	929.5	524	23.71	0.148	11.9	71.4	4.4
	115.0	94.0	93.8	11.520	11.510	0.119	933.7	460	21.23	0.116	9.3	70.5	3.4
	115.0	94.5	94.0	11.693	11.683	0.110	938.2	393	18.82	0.088	7.0	69.8	3.1
	115.0	96.9	96.5	11.826	11.816	0.091	941.7	320	15.41	0.059	4.7	69.2	2.5
	115.0	99.3	98.8	11.934	11.920	0.077	945.1	243	13.81	0.040	3.2	68.9	2.1
	115.0	101.7	101.2	12.016	12.002	0.080	949.1	160	11.51	0.022	1.7	68.7	2.1

DRAWING NO. PAGE 5 of 8 REV.
3LU87BH -

Performance Data



3LU87BH REV.
-



Dayton

Curve Descriptions:
 Motor(1) Test 4 Run 115V 60 Hz 6P
 M3 (MED LO) 15ufd Run
 □ SPEED vs WATTS
 ■ SPEED vs TORQUE
 △ SPEED vs ILine

Motor Ratings:
 (1) 3LU87BH

DRAWING NO. PAGE 6 of 8 REV.
3LU87BH -

Performance Data



3LU87BH

REV.

-

Dayton Manufacturing Company

Motor Description

Model: 3LU87BH
 Motor ID: #1
 Poles: 6
 Volts: 115
 Frequency: 60
 HP: 3/4
 Speed: 1075
 Phase: 1
 Protector: 7AM036A5

Test Conditions

Test Type: Run
 Test Number: 5
 Poles: 6
 Volts: 115
 Hz: 60
 Rotation:
 Special Cond: M4 (LO)
 Speed Conn:
 TestBoard: Amtps Performance Fixture #3
 Run Cap: 15
 Start Cap: 0µfd
 Environment:
 Tested: 11/4/2002 3:28:22 PM
 Tested By: Crocker, Jason
 Gear Ratio: 1:1
 Bearing Friction: -0.76 Oz-Ft
 Windage Torque: -1.12 Oz-Ft

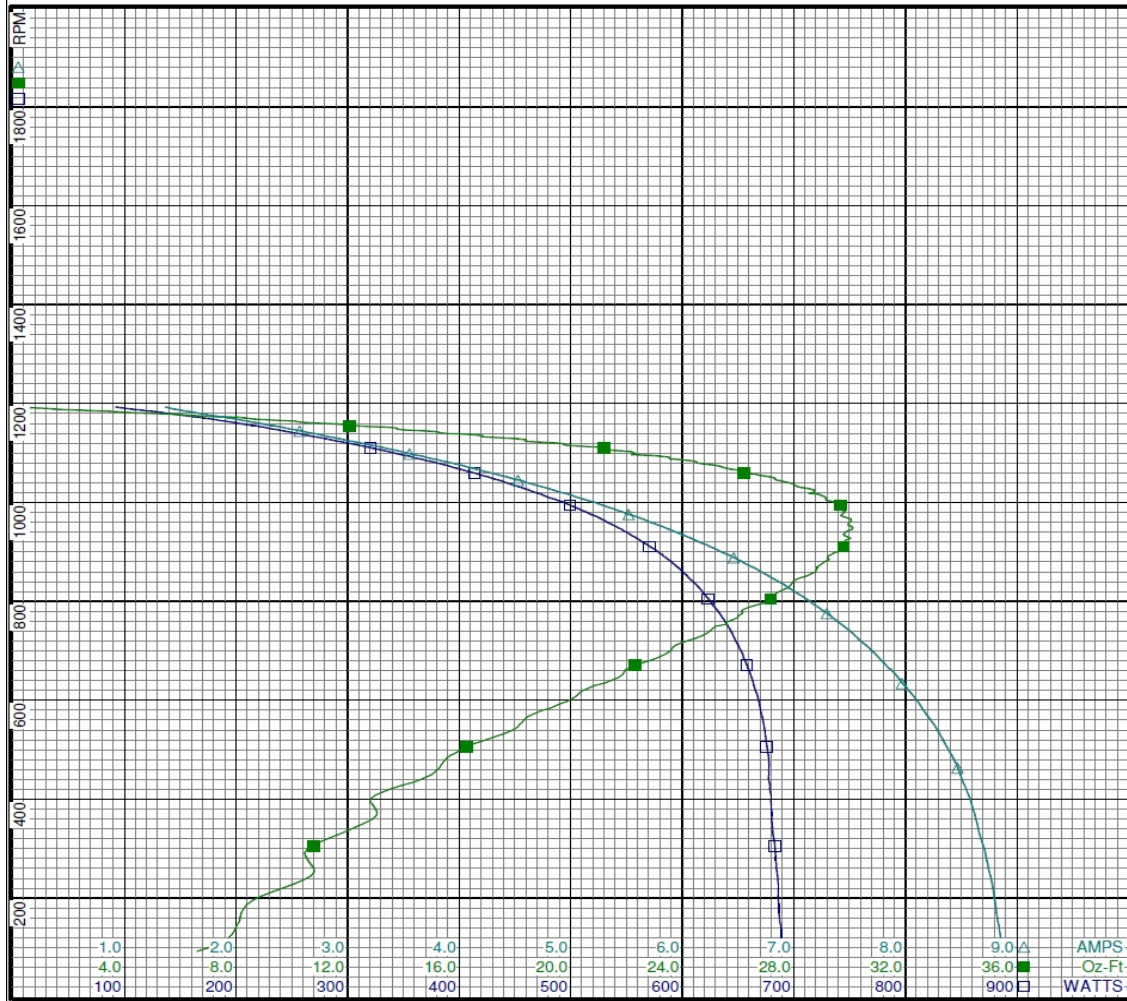
Special Points	Vline (V)	Vaux (V)	Vcap (V)	Iline (A)	Imain (A)	Iaux (A)	Watts	RPM	Tq(Oz-ft)	HP	Eff (%)	PF (%)	Cap
	115.0	267.3	268.5	1.368	1.367	0.085	92.0	1193	0.00	0.000	0.0	58.5	0.8
	115.0	252.6	253.9	1.665	1.663	0.085	138.4	1180	4.72	0.066	35.7	72.3	0.9
	115.0	237.1	238.2	2.036	2.036	0.092	182.7	1167	9.17	0.127	52.0	78.0	1.0
	115.0	225.7	226.7	2.375	2.375	0.092	220.6	1154	12.74	0.175	59.2	80.8	1.1
	115.0	215.9	216.7	2.701	2.698	0.102	255.9	1139	15.58	0.211	61.6	82.4	1.2
	115.0	205.9	206.9	3.043	3.041	0.080	292.3	1123	18.45	0.247	63.0	83.5	1.0
	115.0	196.7	197.4	3.386	3.384	0.088	327.3	1107	21.23	0.280	63.8	84.1	1.2
	115.0	187.0	187.7	3.735	3.733	0.087	361.4	1089	23.53	0.305	63.0	84.1	1.2
1075 RPM	115.0	179.3	180.0	4.021	4.019	0.082	388.7	1075	25.18	0.322	61.8	84.0	1.2
	115.0	178.3	179.0	4.058	4.055	0.085	391.9	1073	25.36	0.324	61.6	84.0	1.3
	115.0	169.2	169.8	4.396	4.394	0.090	423.1	1053	26.98	0.338	59.6	83.7	1.4
	115.0	160.0	160.6	4.737	4.735	0.084	452.9	1032	28.13	0.346	56.9	83.2	1.4
	115.0	151.1	151.4	5.077	5.074	0.088	481.6	1009	29.14	0.350	54.2	82.5	1.5
	115.0	141.9	142.3	5.419	5.428	0.081	510.0	984	29.75	0.349	51.0	81.8	1.5
	115.0	133.2	133.4	5.755	5.763	0.087	535.8	957	29.95	0.341	47.5	81.0	1.7
BDT OZ-FT	115.0	130.6	130.8	5.851	5.860	0.079	542.6	948	30.11	0.340	46.7	80.6	1.6
	115.0	124.7	124.8	6.081	6.090	0.092	559.3	927	30.03	0.331	44.2	80.0	1.9
	115.0	117.1	116.8	6.405	6.411	0.089	582.2	894	29.35	0.312	40.0	79.0	2.0
	115.0	109.4	109.5	6.708	6.715	0.084	600.5	859	28.77	0.294	36.5	77.8	2.0
	115.0	102.8	102.7	7.001	7.008	0.083	617.5	820	27.51	0.269	32.5	76.7	2.1
	115.0	97.3	97.1	7.269	7.276	0.082	631.8	780	26.12	0.242	28.6	75.6	2.3
	115.0	92.7	92.6	7.523	7.528	0.081	644.5	736	24.90	0.218	25.2	74.5	2.3
	115.0	88.8	88.5	7.755	7.760	0.082	654.8	687	23.17	0.189	21.6	73.4	2.5
	115.0	85.6	85.2	7.971	7.974	0.082	663.6	634	21.22	0.160	18.0	72.4	2.6
	115.0	83.4	83.1	8.165	8.166	0.084	670.1	578	18.94	0.130	14.5	71.4	2.7
	115.0	81.6	81.1	8.339	8.339	0.079	675.0	519	16.93	0.105	11.6	70.4	2.6
	115.0	80.0	79.4	8.480	8.477	0.079	677.4	456	15.16	0.082	9.1	69.5	2.6
	115.0	80.7	80.2	8.597	8.594	0.084	679.7	387	12.91	0.060	6.5	68.8	2.8
	115.0	83.9	83.4	8.688	8.686	0.079	682.7	313	10.99	0.041	4.5	68.3	2.5
	115.0	85.7	85.2	8.770	8.766	0.078	685.4	236	10.43	0.029	3.2	68.0	2.4
	115.0	88.4	88.0	8.827	8.823	0.078	687.3	152	8.13	0.015	1.6	67.7	2.3

DRAWING NO. PAGE 7 of 8
3LU87BH
 REV. -

Performance Data



3LU87BH REV.
-



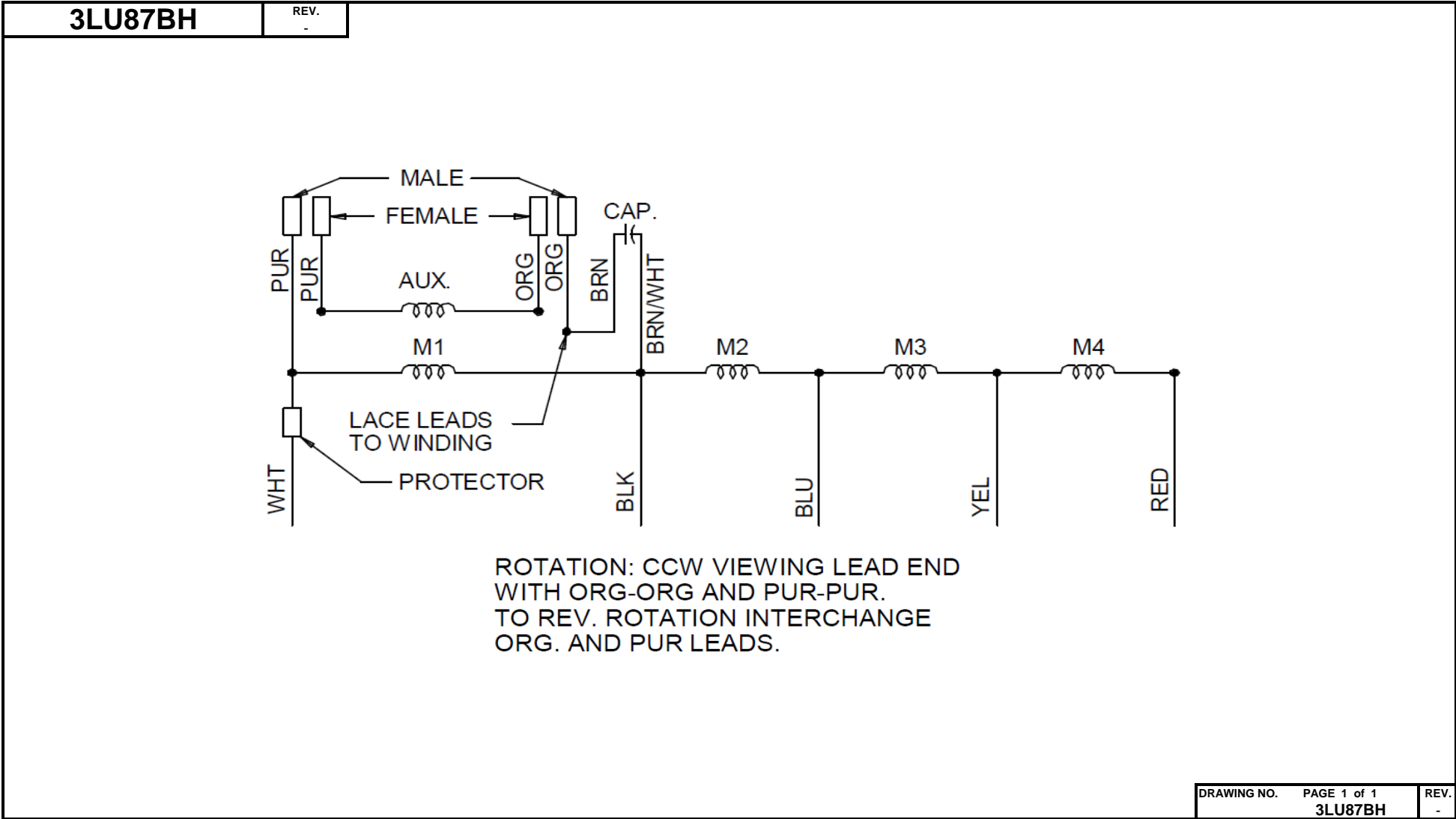
Curve Descriptions:
 Motor(1) Test 5 Run 115V 60 Hz 6P
 M4 (LO) 15ufd Run
 □ SPEED vs WATTS
 ■ SPEED vs TORQUE
 △ SPEED vs ILine

Motor Ratings:
 (1) 3LU87BH

DRAWING NO. PAGE 8 of 8 REV.
3LU87BH -

©2019 W.W. Grainger, Inc. This design may not be reproduced, modified or redistributed without written permission from W.W. Grainger, Inc.

Wiring Diagram



Dayton®

DIRECT DRIVE BLOWER MOTOR

HP: 3/4
VOLTS: 115
AMPS: 10.6
RPM: 1075 / 4SPD
DUTY: CONT
SF: 1.0
KVA CODE:
ENCL: OAO
THERMALLY PROTECTED: AUTO

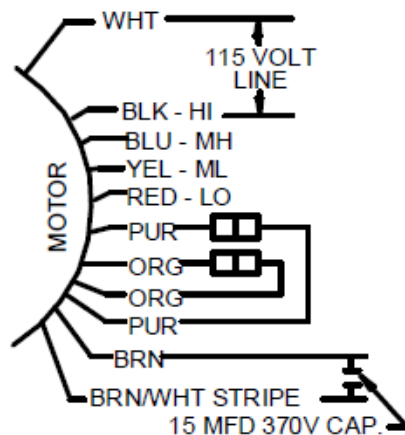
MFG. NO. PROT. CODE: 7A010 AVG.F.L
EFF.
MTR REF: K55HXKDJ-2308

BAR CODE

Part No 3LU87BH

**Disconnect Power Before Making Any
Electrical Connections or Changes**

TO REVERSE ROTATION
INTERCHANGE ORG
AND PUR LEADS



RU®
E37403

SA®
258501

Mfd for Dayton Electric Mfg. Co., Lake Forest, IL 60045 USA

Made In China