

Dimensional Drawing



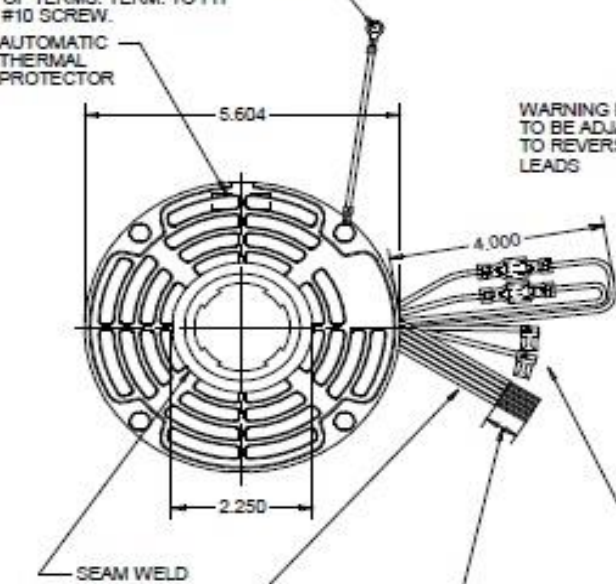
3LU79BH

REV.
-

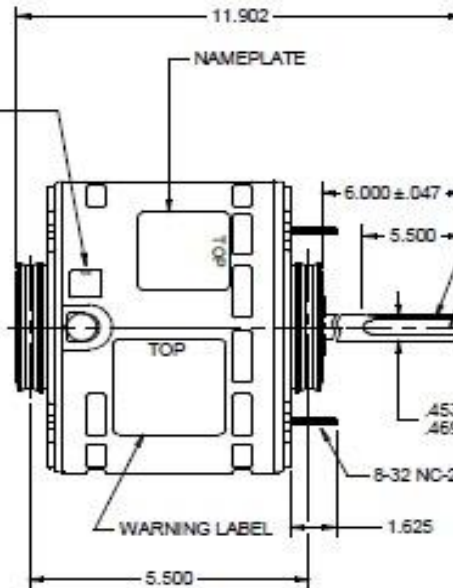
MODEL	REF	CUSTOMER	HP	VOLTS	AMPS	FZ	RPM	ROTATION	CUSTOMER PN	DESCRIPTION /REMARKS
K55HXKDA-2327		DAYTON	1/3	115	4.6	60	1075	C.CW. LEAD END REV	3LU79BH	SAB

#16 GRN/YEL GROUND LEAD TO BE 12±.250 BETWEEN CENTERS OF TERMS. TERM. TO FIT #10 SCREW.

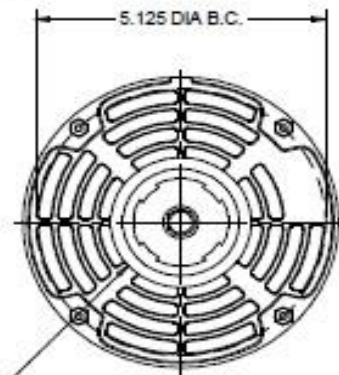
AUTOMATIC THERMAL PROTECTOR



WARNING LABEL TO BE ADJACENT TO REVERSING LEADS



DOUBLE SHAFT FLAT 90° APART



INCLUDE KIT FOR 2.5 HUB RING ASSEMBLY

.750±.062 SKINNED

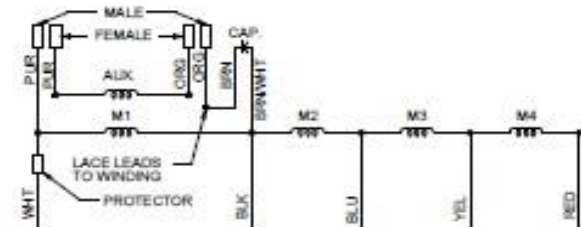
(2).250 FLAG TYPE Q.C. TERMS.

ROTATION: CCW VIEWING LEAD END WITH ORG-ORG AND PUR-PUR. TO REV. ROTATION INTERCHANGE ORG. AND PUR LEADS.

6 LEADS, #18, .031 THICK INSUL. TO EXTEND BEYOND MOTOR.

WHT = 30.000 +2 -0, BLK = 30.000 +2 -0, YEL = 30.000 +2 -0, BLU = 30.000 +2 -0, RED = 30.000 +2 -0, BRN = 30.000 +2 -0, BRNWHT = 30.000 +2 -0

DIMENSIONS UNITS, INCHES



DRAWING NO.	PAGE 1 of 1	REV.
	3LU79BH	-

Dayton Electric Mfg. Co. Lake Forest, IL 60045 USA

3LU79BH

REV.
-

SHADED-POLE & PSC MOTOR PERFORMANCE

HP:	1/3							
Poles:	6							
Ambient (°C):	40							
Altitude (FASL):	1000							
No. of Speeds:	4							
HIGH SPEED								
Volts:	115	115	208	230	277	460	100	200
HZ:	60	60	60	60	60	60	50	50
Service Factor:	1.0							
Efficiency:	@ Rated Load	61.6						
Power Factor:	@ Rated Load	88.6						
Amps:	@ No Load	2.5						
	@ Rated Load	5.4						
	@ Locked Rotor	12.5						
RPM:	@ Rated Load	1075						
Torques: Oz.Ft.	Breakdown	41						
	Locked Rotor	5.5						
	Pull-Up							
	Rated Load	35.5						
	Service Factor	1.0						
Watts:	Rated Load	550						
Temperature Rise:	@ Rated Load							
Thermal Protector:	Trip Temp (°C)	140~150						
Winding Material:	Start (Auxiliary)	Copper						
	Run (Main)	Copper						
Capacitor:	Run (MFD / Volts)	7.5 MFD 370V						
	No. of Run Capacitors	1						
MEDIUM-HIGH SPEED								
HP:	1/3							
Volts:	115	115	208	230	277	460	100	200
HZ:	60	60	60	60	60	60	50	50
Efficiency:	@ Rated Load							
Power Factor:	@ Rated Load							
Amps:	@ No Load	1.65						
	@ Rated Load							
	@ Locked Rotor							
Torques: Oz.Ft.	Breakdown	30.5						
	Locked Rotor							
	Pull-Up							
	Rated Load							
Watts:	Rated Load							
Temperature Rise:	@ Rated Load							

DRAWING NO. PAGE REV.
3LU79BH -

3LU79BH

REV.

-

SHADED-POLE & PSC MOTOR PERFORMANCE

MEDIUM-LOW SPEED

HP:	1/3							
Volts:	115	115	208	230	277	460	100	200
HZ:	60	60	60	60	60	60	50	50
Efficiency:	@ Rated Load							
Power Factor:	@ Rated Load							
Amps:	@ No Load	1.2						
	@ Rated Load							
Torques: Oz.Ft.	Breakdown	23.7						
	Locked Rotor							
	Pull-Up							
	Rated Load							
Watts:	Rated Load							
Temperature Rise:	@ Rated Load							
Watts:	Rated Load							
Temperature Rise:	@ Rated Load							
Thermal Protector:	Trip Temp (°C)	140~150						
Winding Material:	Start (Auxiliary)	Copper						
	Run (Main)	Copper						

LOW SPEED

HP:	1/3							
Volts:	115	120	208	230	277	460	100	200
HZ:	60	60	60	60	60	60	50	50
Efficiency:	@ Rated Load							
Power Factor:	@ Rated Load							
Amps:	@ No Load	1						
	@ Rated Load							
Torques: Oz.Ft.	Breakdown	19						
	Locked Rotor							
	Pull-Up							
	Rated Load							
Watts:	Rated Load							
Temperature Rise:	@ Rated Load							

Notes:

DRAWING NO. PAGE REV.
3LU79BH -

Performance Data



3LU79BH

REV.

-

Dayton Manufacturing Company

Motor Description

Model: 3LU79BH
 Motor ID: 1
 Poles: 6
 Volts: 115
 Frequency: 60
 HP: 1/3
 Speed: 1075/4
 Phase: 1
 Protector:

Test Conditions

Test Type: Run
 Test Number: 2
 Poles: 6
 Volts: 115
 Hz: 60
 Rotation:
 Special Cond:
 Speed Conn: HI
 TestBoard: Amtps Performance Fixture #4
 Run Cap: 7.5
 Start Cap: 0µfd
 Environment:
 Tested: 6/10/2008 10:29:29 PM
 Tested By: TestBoard, MTC
 Gear Ratio: 1:1
 Bearing Friction: -1.20 Oz-Ft
 Windage Torque: -1.38 Oz-Ft

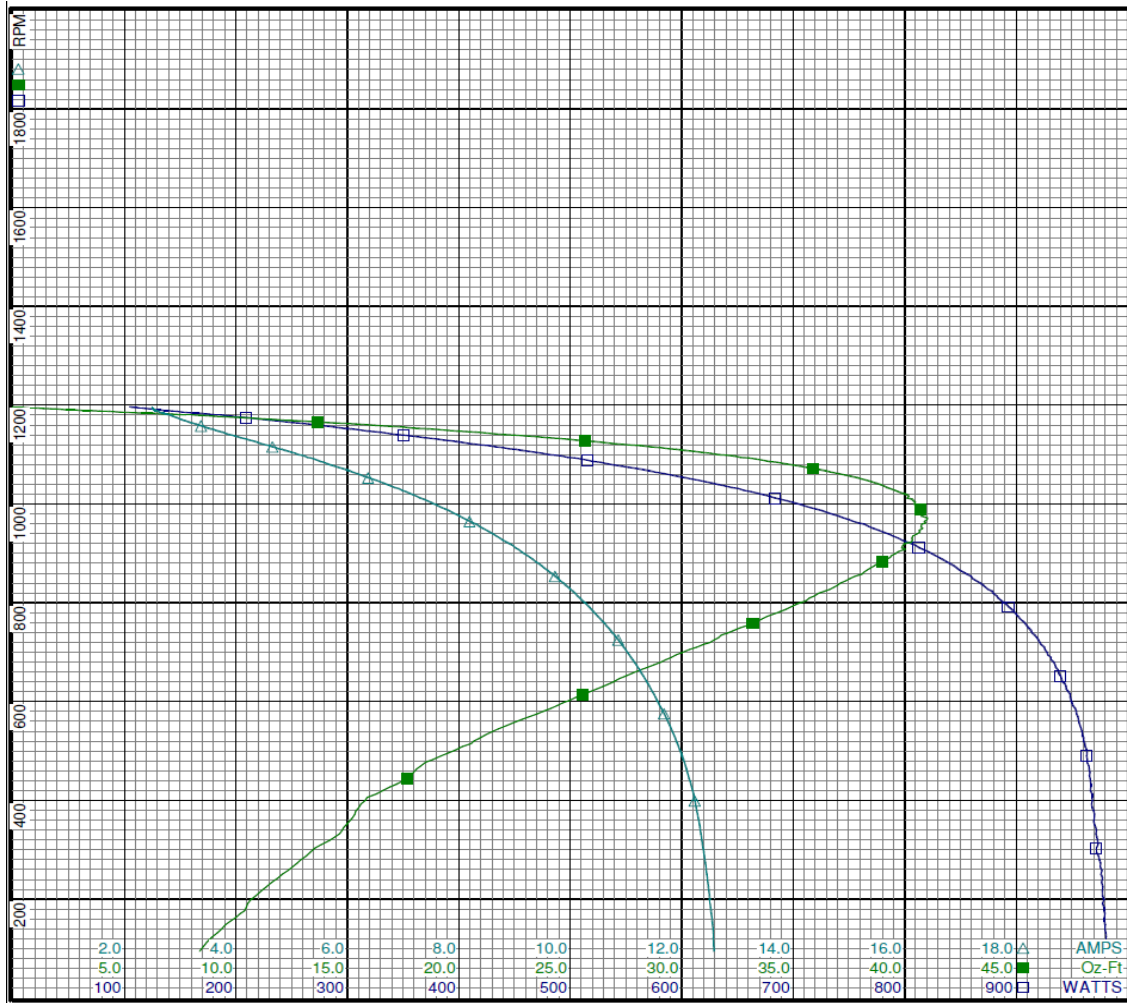
Special Points	Vline (V)	Vaux (V)	Vcap (V)	Iline (A)	Imain (A)	Iaux (A)	Watts	RPM	Tq(Oz-ft)	HP	Eff(%)	PF(%)	Cap
	115.0	319.1	345.1	2.498	2.699	0.988	104.7	1197	0.00	0.000	0.0	36.4	7.6
	115.0	315.7	338.8	2.545	2.628	0.968	131.8	1190	2.75	0.039	22.0	45.0	7.6
	115.0	311.2	329.6	2.729	2.662	0.941	171.0	1182	6.70	0.094	41.1	54.5	7.6
	115.0	306.9	323.7	2.913	2.748	0.924	204.5	1175	9.81	0.137	50.1	61.1	7.6
	115.0	300.0	314.7	3.185	2.913	0.900	251.2	1165	14.10	0.195	58.1	68.6	7.6
	115.0	292.5	305.5	3.481	3.143	0.875	292.9	1154	17.78	0.244	62.2	73.2	7.6
	115.0	284.1	295.3	3.836	3.446	0.847	339.1	1142	21.61	0.294	64.6	76.9	7.6
0.333 HP	115.0	276.2	285.9	4.174	3.757	0.821	379.2	1131	24.72	0.333	65.5	79.0	7.6
	115.0	273.4	282.7	4.295	3.873	0.812	392.4	1128	25.67	0.345	65.5	79.4	7.6
	115.0	262.8	270.0	4.768	4.337	0.778	444.9	1111	29.43	0.389	65.3	81.1	7.6
	115.0	251.2	256.7	5.285	4.854	0.741	498.1	1094	32.65	0.425	63.7	82.0	7.7
1075 RPM	115.0	239.1	243.2	5.816	5.400	0.704	550.3	1075	35.50	0.454	61.6	82.3	7.7
	115.0	238.7	242.6	5.838	5.423	0.703	552.5	1074	35.59	0.455	61.5	82.3	7.7
	115.0	224.6	227.5	6.446	6.057	0.661	609.0	1050	38.08	0.476	58.3	82.2	7.7
	115.0	210.3	212.4	7.049	6.693	0.620	661.9	1025	39.70	0.484	54.6	81.7	7.7
	115.0	196.3	198.1	7.629	7.310	0.581	710.0	996	40.63	0.482	50.6	80.9	7.8
BDT OZ-FT	115.0	185.2	187.4	8.074	7.785	0.552	745.0	971	41.02	0.474	47.5	80.2	7.8
	115.0	182.0	184.7	8.194	7.914	0.544	753.6	965	40.88	0.470	46.5	80.0	7.8
	115.0	168.2	172.0	8.737	8.496	0.510	794.0	931	40.33	0.447	42.0	79.0	7.9
	115.0	155.3	161.4	9.227	9.028	0.480	827.3	895	39.41	0.420	37.9	78.0	7.9
	115.0	142.8	151.6	9.684	9.520	0.456	855.7	858	38.08	0.389	33.9	76.8	8.0
	115.0	131.4	143.8	10.087	9.958	0.434	879.3	819	36.13	0.352	29.9	75.8	8.0
	115.0	120.7	137.6	10.456	10.361	0.417	899.9	777	34.12	0.316	26.2	74.8	8.0
	115.0	110.7	132.6	10.794	10.732	0.403	916.6	734	31.77	0.278	22.6	73.8	8.1
	115.0	101.7	128.9	11.088	11.055	0.393	931.3	689	29.51	0.242	19.4	73.0	8.1
	115.0	92.7	126.1	11.368	11.365	0.386	941.4	640	26.97	0.206	16.3	72.0	8.1
	115.0	84.7	124.6	11.605	11.630	0.381	950.9	591	24.40	0.172	13.5	71.3	8.1
	115.0	76.8	123.3	11.835	11.885	0.377	959.1	538	21.45	0.137	10.7	70.5	8.1
	115.0	69.5	122.9	12.027	12.101	0.374	963.7	483	18.85	0.108	8.4	69.7	8.1
	115.0	62.9	123.1	12.177	12.274	0.369	967.0	426	16.90	0.086	6.6	69.0	7.9
	115.0	57.3	124.7	12.293	12.409	0.370	970.0	364	15.22	0.066	5.1	68.6	7.9
	115.0	53.1	126.1	12.381	12.511	0.372	971.9	303	13.55	0.049	3.7	68.3	7.8
	115.0	49.2	129.0	12.469	12.619	0.381	976.5	233	11.60	0.032	2.5	68.1	7.8
	115.0	45.3	130.7	12.539	12.707	0.385	978.9	162	9.99	0.019	1.5	67.9	7.8

DRAWING NO. PAGE 1 of 8 REV.
 3LU79BH -

Performance Data



3LU79BH REV.
-



Dayton

Curve Descriptions:
 Motor(1) Test 2 Run 115V 60 Hz 6P
 HI 7.5ufd Run

- SPEED vs WATTS
- SPEED vs TORQUE
- △ SPEED vs ILine

Motor Ratings:
 (1):3LU79BH

DRAWING NO. PAGE 2 of 8 REV.
3LU79BH -

Performance Data



3LU79BH

REV.

-

Dayton Manufacturing Company

Motor Description

Model: 3LU79BH
 Motor ID: 1
 Poles: 6
 Volts: 115
 Frequency: 60
 HP: 1/3
 Speed: 1075/4
 Phase: 1
 Protector:

Test Conditions

Test Type: Run
 Test Number: 3
 Poles: 6
 Volts: 115
 Hz: 60
 Rotation:
 Special Conn: MED-HI
 Speed Conn: MED-HI
 TestBoard: Amtps Performance Fixture #4
 Run Cap: 7.5
 Start Cap: 0µfd
 Environment:
 Tested: 6/10/2008 10:36:12 PM
 Tested By: TestBoard, MTC
 Gear Ratio: 1:1
 Bearing Friction: -1.04 Oz-Ft
 Windage Torque: -1.36 Oz-Ft

Special Points	Vline (V)	Vaux (V)	Vcap (V)	Iline (A)	Imain (A)	Iaux (A)	Watts	RPM	Tq (Oz-ft)	HP	Eff (%)	PF (%)	Cap
	115.0	293.7	315.1	1.639	1.800	0.904	82.5	1196	0.00	0.000	0.0	43.8	7.6
	115.0	287.8	304.2	1.728	1.745	0.870	106.0	1188	2.44	0.035	24.3	53.3	7.6
	115.0	278.6	289.8	1.937	1.789	0.829	141.3	1180	6.07	0.085	45.0	63.4	7.6
	115.0	272.7	282.4	2.135	1.913	0.808	168.4	1172	8.56	0.119	52.9	68.6	7.6
	115.0	264.7	272.5	2.406	2.102	0.780	204.9	1161	11.90	0.164	59.9	74.1	7.6
	115.0	256.1	261.8	2.715	2.361	0.750	242.6	1148	15.05	0.206	63.3	77.7	7.6
	115.0	247.6	251.5	3.034	2.654	0.722	279.1	1134	17.95	0.242	64.8	80.0	7.6
	115.0	238.8	240.4	3.380	2.989	0.692	316.8	1120	20.66	0.275	64.9	81.5	7.6
	115.0	228.7	228.4	3.765	3.375	0.659	356.1	1103	23.28	0.306	64.1	82.3	7.6
	115.0	217.5	215.6	4.186	3.809	0.623	397.3	1084	25.50	0.329	61.8	82.5	7.7
1075 RPM	115.0	212.6	209.8	4.376	4.009	0.607	415.1	1075	26.47	0.339	60.9	82.5	7.7
	115.0	206.9	203.4	4.591	4.233	0.590	435.4	1064	27.46	0.348	59.6	82.5	7.7
	115.0	195.7	191.0	5.009	4.677	0.555	472.8	1041	28.96	0.359	56.6	82.1	7.7
	115.0	183.9	178.6	5.435	5.132	0.521	508.8	1016	29.91	0.362	53.0	81.4	7.7
	115.0	172.4	166.7	5.840	5.569	0.489	541.7	989	30.42	0.358	49.3	80.7	7.8
BDT OZ-FT	115.0	162.4	157.0	6.191	5.949	0.465	569.1	962	30.51	0.349	45.8	79.9	7.9
	115.0	161.1	155.8	6.235	5.996	0.461	571.9	959	30.45	0.348	45.3	79.8	7.9
	115.0	150.0	145.7	6.606	6.400	0.434	598.4	927	30.05	0.332	41.3	78.8	7.9
	115.0	139.2	136.6	6.954	6.782	0.409	622.0	893	29.24	0.311	37.3	77.8	7.9
	115.0	128.9	128.9	7.274	7.132	0.388	641.4	857	28.21	0.288	33.5	76.7	8.0
	115.0	119.4	122.4	7.570	7.460	0.370	658.9	820	27.07	0.264	29.9	75.7	8.0
	115.0	110.3	117.0	7.835	7.754	0.356	673.0	781	25.64	0.238	26.4	74.7	8.1
	115.0	101.8	113.0	8.085	8.032	0.344	686.1	739	24.06	0.212	23.0	73.8	8.1
	115.0	93.6	109.7	8.313	8.287	0.335	696.4	694	22.17	0.183	19.6	72.8	8.1
	115.0	85.6	107.2	8.520	8.520	0.330	705.4	648	20.32	0.157	16.6	72.0	8.2
	115.0	77.6	105.4	8.711	8.737	0.324	712.4	598	18.20	0.130	13.6	71.1	8.1
	115.0	70.6	105.0	8.878	8.928	0.323	717.9	545	16.22	0.105	10.9	70.3	8.2
	115.0	63.7	104.5	9.030	9.102	0.320	722.5	488	14.05	0.082	8.4	69.6	8.1
	115.0	57.3	104.7	9.139	9.231	0.318	723.0	430	12.38	0.063	6.5	68.8	8.1
	115.0	51.5	106.3	9.226	9.329	0.316	724.9	371	11.50	0.051	5.2	68.3	7.9
	115.0	46.4	109.2	9.302	9.420	0.321	729.5	307	10.68	0.039	4.0	68.2	7.8
	115.0	42.4	110.0	9.363	9.495	0.325	730.5	240	9.18	0.026	2.7	67.8	7.8
	115.0	37.8	112.1	9.420	9.568	0.331	732.0	168	7.58	0.015	1.5	67.6	7.8

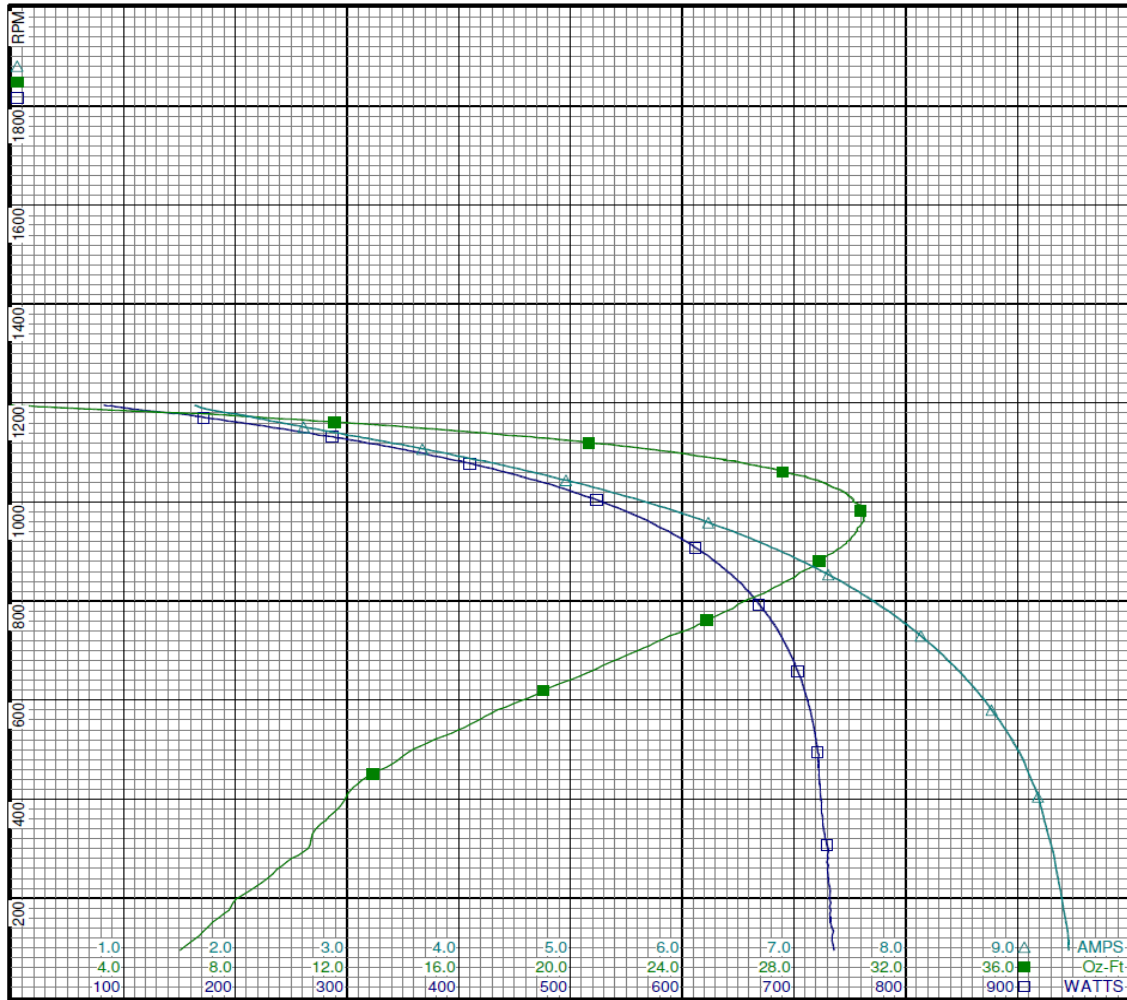
DRAWING NO. PAGE 3 of 8 REV.
 3LU79BH -

Performance Data



3LU79BH

REV.
-



Curve Descriptions:
 Motor(1) Test 3 Run 115V 60 Hz 6P
 MED-HI 7.5ufd Run
 □ SPEED vs WATTS
 ■ SPEED vs TORQUE
 △ SPEED vs ILine

Motor Ratings:
 (1) 3LU79BH

DRAWING NO. PAGE 4 of 8 REV.
 3LU79BH -

Dayton Electric Mfg. Co. Lake Forest, IL 60045 USA

Performance Data



3LU79BH

REV.

-

Dayton Manufacturing Company

Motor Description

Model: 3LU79BH
 Motor ID: 1
 Poles: 6
 Volts: 115
 Frequency: 60
 HP: 1/3
 Speed: 1075/4
 Phase: 1
 Protector:

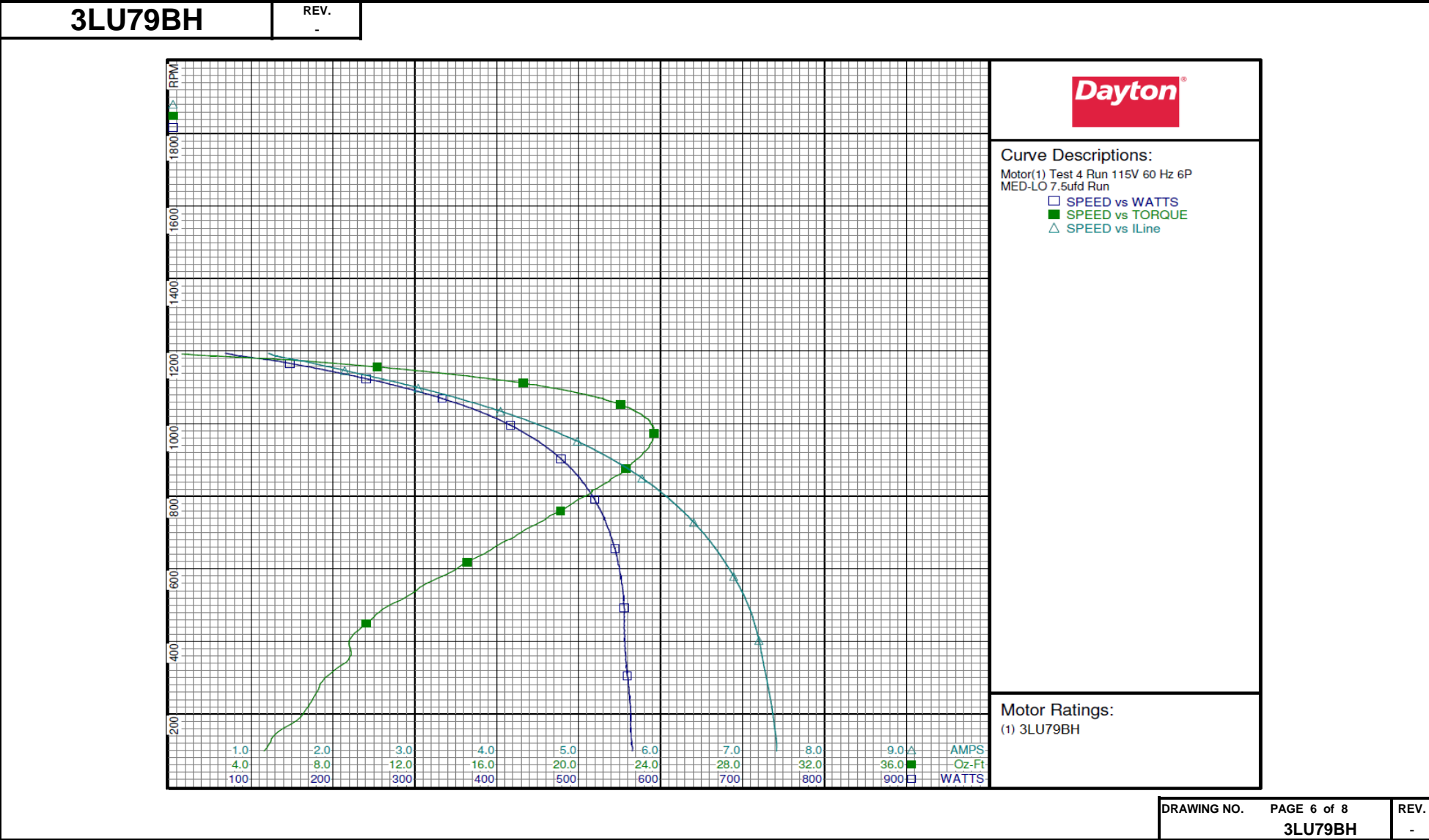
Test Conditions

Test Type: Run
 Test Number: 4
 Poles: 6
 Volts: 115
 Hz: 60
 Rotation:
 Special Conn: MED-LO
 TestBoard: Amtps Performance Fixture #4
 Run Cap: 7.5
 Start Cap: 0µfd
 Environment:
 Tested: 6/10/2008 10:41:09 PM
 Tested By: TestBoard, MTC
 Gear Ratio: 1:1
 Bearing Friction: -0.86 Oz-Ft
 Windage Torque: -1.27 Oz-Ft

Special Points	Vline (V)	Vaux (V)	Vcap (V)	Iline (A)	Imain (A)	Iaux (A)	Watts	RPM	Tq (Oz-ft)	HP	Eff (%)	PF (%)	Cap
	115.0	270.0	287.6	1.214	1.347	0.824	68.6	1194	0.00	0.000	0.0	49.1	7.6
	115.0	261.8	272.6	1.315	1.300	0.780	88.0	1186	2.33	0.033	27.9	58.2	7.6
	115.0	249.9	256.0	1.532	1.364	0.732	119.4	1176	5.55	0.078	48.6	67.7	7.6
	115.0	242.7	246.9	1.743	1.504	0.706	145.0	1167	7.86	0.109	56.2	72.3	7.6
	115.0	235.1	237.2	1.983	1.688	0.679	174.1	1155	10.45	0.144	61.6	76.3	7.6
	115.0	227.6	227.6	2.234	1.905	0.652	203.1	1142	12.85	0.175	64.2	79.0	7.6
	115.0	219.3	217.0	2.521	2.177	0.623	233.7	1127	15.16	0.203	64.9	80.6	7.6
	115.0	210.8	206.3	2.816	2.468	0.594	264.3	1112	17.30	0.229	64.6	81.6	7.6
	115.0	202.2	195.6	3.115	2.774	0.564	294.0	1095	19.08	0.249	63.1	82.1	7.6
	115.0	193.3	184.8	3.425	3.099	0.535	323.1	1076	20.61	0.264	61.0	82.0	7.7
1075 RPM	115.0	192.6	184.0	3.447	3.122	0.532	325.3	1075	20.71	0.265	60.8	82.0	7.7
	115.0	183.4	173.3	3.761	3.455	0.503	353.4	1055	21.98	0.276	58.3	81.7	7.7
	115.0	173.7	162.4	4.081	3.800	0.473	380.9	1032	22.84	0.280	54.9	81.2	7.7
	115.0	164.2	152.0	4.394	4.140	0.446	406.6	1007	23.48	0.281	51.6	80.5	7.8
	115.0	154.5	142.2	4.693	4.470	0.419	429.4	980	23.66	0.276	48.0	79.6	7.8
BDT OZ-FT	115.0	151.6	139.1	4.787	4.572	0.411	436.4	971	23.69	0.274	46.8	79.3	7.8
	115.0	145.0	132.8	4.985	4.786	0.394	450.7	952	23.60	0.267	44.2	78.6	7.9
	115.0	136.0	124.6	5.257	5.086	0.372	469.4	920	23.15	0.254	40.3	77.6	7.9
	115.0	127.2	117.2	5.508	5.367	0.352	485.3	889	22.58	0.239	36.7	76.6	8.0
	115.0	118.7	110.6	5.747	5.633	0.334	499.7	854	21.78	0.222	33.1	75.6	8.0
	115.0	110.5	105.3	5.973	5.884	0.320	512.2	816	20.67	0.201	29.3	74.6	8.1
	115.0	102.6	100.9	6.180	6.115	0.308	522.2	777	19.62	0.182	25.9	73.5	8.1
	115.0	94.9	97.3	6.369	6.329	0.299	531.3	736	18.37	0.161	22.6	72.5	8.1
	115.0	87.8	94.9	6.543	6.527	0.292	538.3	693	16.98	0.140	19.4	71.5	8.2
	115.0	81.0	92.9	6.700	6.706	0.288	545.2	646	15.52	0.119	16.3	70.8	8.2
	115.0	74.3	92.0	6.847	6.876	0.286	549.8	595	13.92	0.099	13.4	69.8	8.2
	115.0	67.5	91.4	6.980	7.030	0.283	553.7	542	12.12	0.078	10.5	69.0	8.2
	115.0	61.2	91.4	7.092	7.162	0.280	556.0	487	10.38	0.060	8.1	68.2	8.1
	115.0	55.9	91.7	7.171	7.259	0.280	556.0	429	9.22	0.047	6.3	67.4	8.1
	115.0	50.5	93.1	7.230	7.329	0.277	557.0	369	8.90	0.039	5.2	67.0	7.9
	115.0	46.0	95.4	7.285	7.398	0.282	559.2	306	7.76	0.028	3.8	66.7	7.8
	115.0	41.7	96.9	7.346	7.470	0.286	562.4	234	6.96	0.019	2.6	66.6	7.8
	115.0	37.4	98.5	7.392	7.529	0.291	563.5	162	5.61	0.011	1.4	66.3	7.9

DRAWING NO. PAGE 5 of 8 REV.
 3LU79BH -

Performance Data



DRAWING NO.	PAGE 6 of 8	REV.
	3LU79BH	-

Performance Data



3LU79BH

REV.

-

Dayton Manufacturing Company

Motor Description

Model: 3LU79BH
 Motor ID: 1
 Poles: 6
 Volts: 115
 Frequency: 60
 HP: 1/3
 Speed: 1075/4
 Phase: 1
 Protector:

Test Conditions

Test Type: Run
 Test Number: 5
 Poles: 6
 Volts: 115
 Hz: 60
 Rotation:
 Special Cond:
 Speed Conn: LO
 TestBoard: Amtps Performance Fixture #4
 Run Cap: 7.5
 Start Cap: 0µfd
 Environment:
 Tested: 6/10/2008 10:49:07 PM
 Tested By: TestBoard, MTC
 Gear Ratio: 1:1
 Bearing Friction: -0.88 Oz-Ft
 Windage Torque: -1.27 Oz-Ft

Special Points	Vline (V)	Vaux (V)	Vcap (V)	Iline (A)	Imain (A)	Iaux (A)	Watts	RPM	Tq(Oz-ft)	HP	Eff (%)	PF (%)	Cap
	115.0	249.4	263.6	0.950	1.088	0.756	56.3	1194	0.000	0.000	0.0	51.5	7.6
	115.0	240.5	247.6	1.043	1.034	0.707	72.4	1185	1.874	0.026	27.2	60.3	7.6
	115.0	227.7	229.7	1.246	1.094	0.657	99.0	1175	4.564	0.064	48.1	69.1	7.6
	115.0	220.1	219.9	1.445	1.225	0.629	122.0	1165	6.667	0.092	56.5	73.4	7.6
	115.0	213.8	211.1	1.639	1.373	0.604	144.8	1153	8.694	0.119	61.5	76.8	7.6
	115.0	207.2	202.3	1.848	1.554	0.580	168.1	1140	10.569	0.143	63.6	79.1	7.6
	115.0	200.1	192.7	2.076	1.770	0.553	192.2	1125	12.350	0.165	64.2	80.5	7.6
	115.0	192.4	182.5	2.328	2.023	0.525	217.5	1109	14.062	0.186	63.7	81.2	7.6
	115.0	184.7	172.6	2.576	2.278	0.498	241.2	1092	15.507	0.202	62.4	81.4	7.7
1075 RPM	115.0	177.6	163.7	2.803	2.516	0.474	262.3	1075	16.620	0.213	60.5	81.4	7.7
	115.0	176.9	162.8	2.826	2.540	0.471	264.3	1074	16.702	0.213	60.2	81.4	7.7
	115.0	168.7	153.1	3.080	2.813	0.446	286.5	1053	17.698	0.222	57.8	80.9	7.7
	115.0	160.7	143.4	3.328	3.082	0.420	307.5	1031	18.350	0.225	54.6	80.4	7.8
	115.0	152.5	134.4	3.571	3.349	0.395	326.7	1007	18.784	0.225	51.4	79.6	7.8
	115.0	144.5	125.8	3.806	3.607	0.372	344.4	981	18.880	0.220	47.7	78.7	7.8
BDT OZ-FT	115.0	140.9	121.9	3.910	3.722	0.362	352.0	969	18.993	0.219	46.4	78.3	7.9
	115.0	136.4	117.7	4.032	3.859	0.350	360.2	953	18.807	0.213	44.2	77.7	7.9
	115.0	128.7	110.2	4.248	4.100	0.330	374.7	923	18.506	0.203	40.5	76.7	7.9
	115.0	121.1	103.5	4.453	4.329	0.312	387.5	891	18.032	0.191	36.8	75.7	8.0
	115.0	113.6	97.8	4.640	4.543	0.297	397.6	858	17.357	0.177	33.3	74.5	8.0
	115.0	106.3	92.9	4.818	4.743	0.283	406.9	822	16.507	0.161	29.6	73.4	8.1
	115.0	99.4	89.0	4.984	4.931	0.273	414.4	784	15.541	0.145	26.1	72.3	8.1
	115.0	92.9	86.3	5.139	5.107	0.265	420.8	742	14.670	0.130	23.0	71.2	8.1
	115.0	86.5	83.8	5.276	5.266	0.259	426.9	699	13.426	0.112	19.5	70.4	8.2
	115.0	80.3	82.3	5.405	5.416	0.256	431.4	652	12.236	0.095	16.4	69.4	8.2
	115.0	74.3	81.4	5.522	5.553	0.254	434.8	603	10.919	0.078	13.5	68.5	8.3
	115.0	68.2	81.0	5.629	5.678	0.252	437.5	551	9.417	0.062	10.5	67.6	8.3
	115.0	62.6	81.2	5.716	5.785	0.251	438.2	495	8.123	0.048	8.1	66.7	8.2
	115.0	58.1	81.2	5.778	5.862	0.248	437.5	438	7.244	0.038	6.4	65.8	8.1
	115.0	53.3	82.6	5.825	5.919	0.246	437.9	377	6.719	0.030	5.1	65.4	7.9
	115.0	49.3	84.3	5.866	5.972	0.250	440.2	315	6.394	0.024	4.1	65.3	7.9
	115.0	45.2	86.6	5.921	6.038	0.256	442.8	244	5.511	0.016	2.7	65.0	7.9
	115.0	41.9	87.5	5.958	6.085	0.260	444.2	174	4.576	0.009	1.6	64.8	7.9

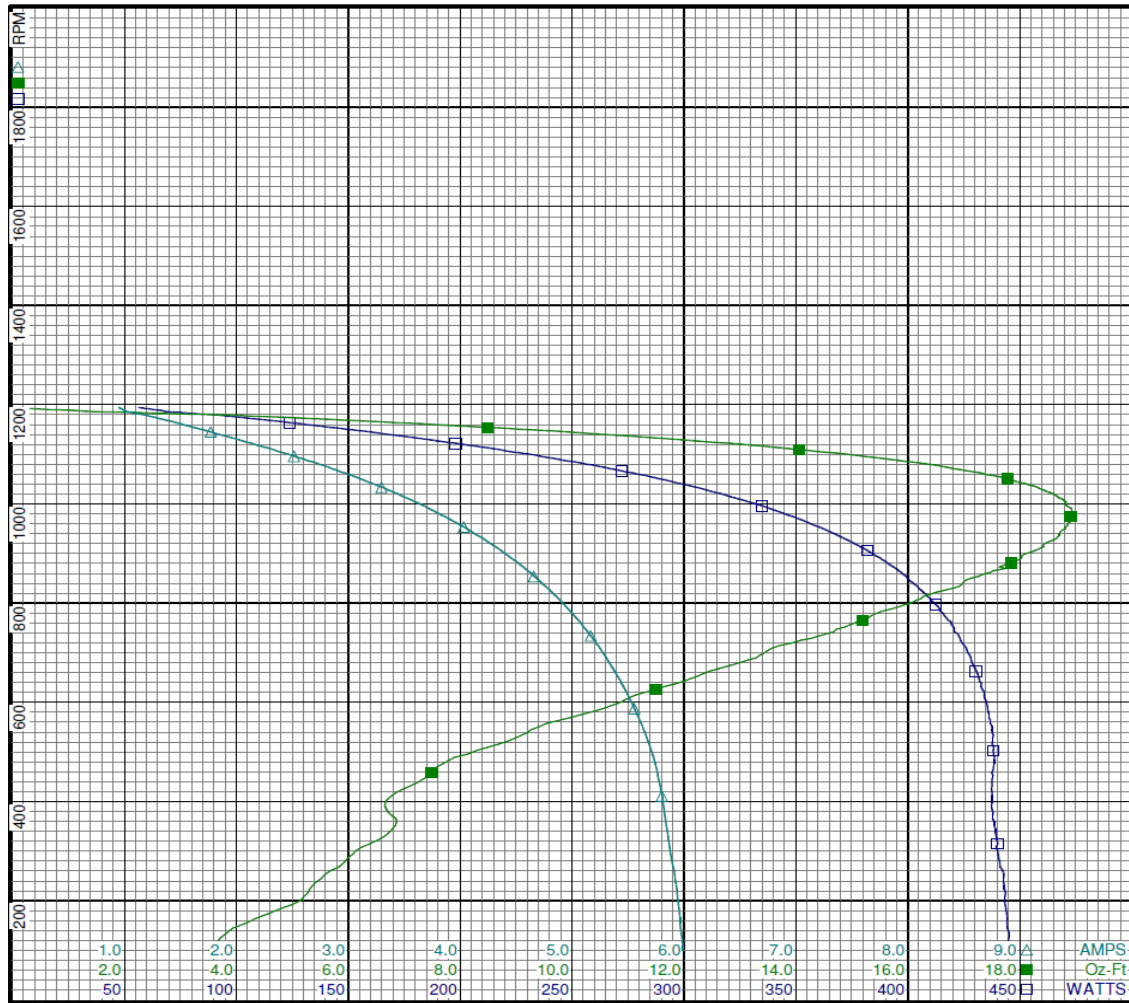
DRAWING NO. PAGE 7 of 8 REV.
3LU79BH -

Performance Data



3LU79BH

REV.
-



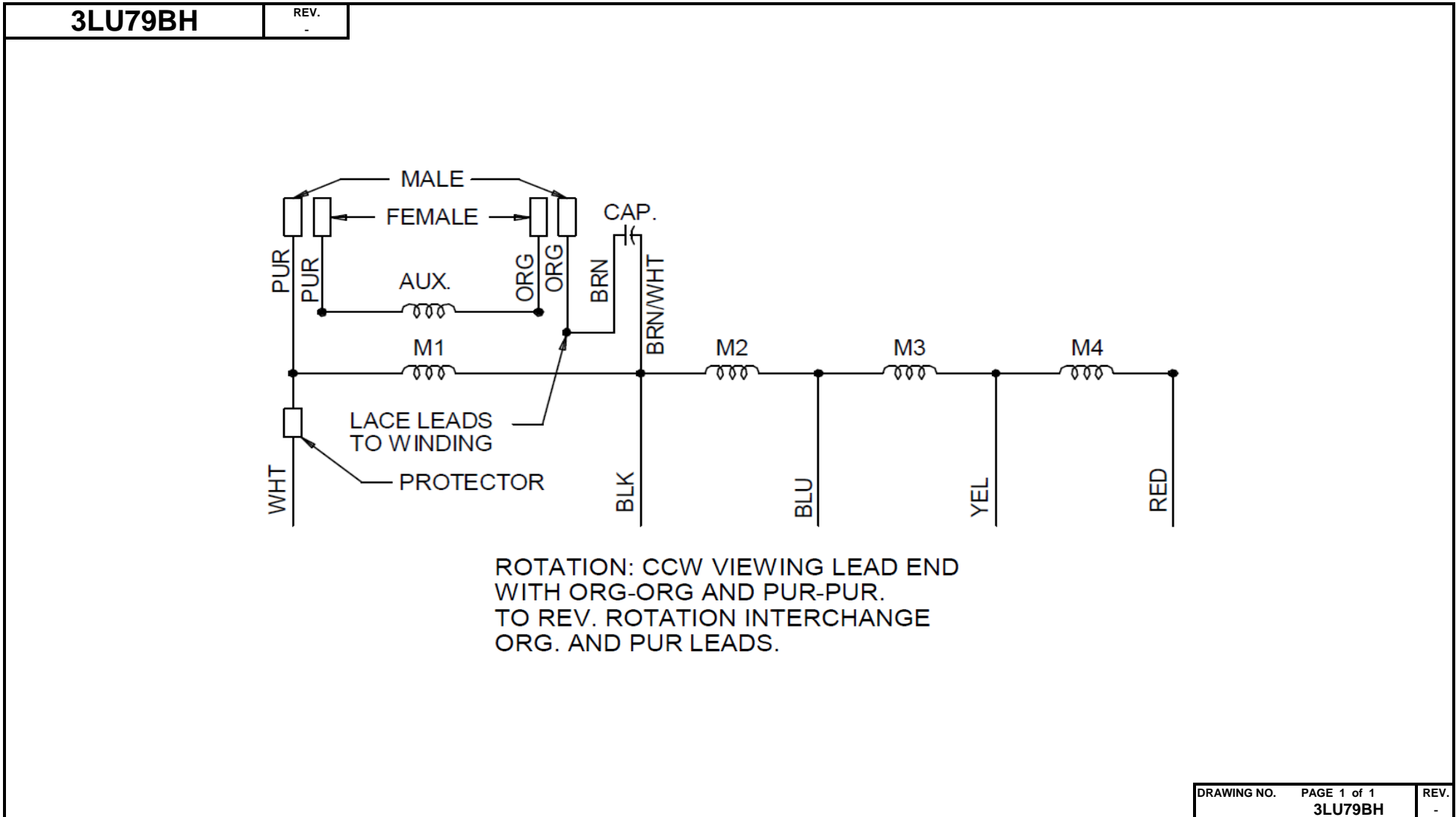
Curve Descriptions:
 Motor(1) Test 5 Run 115V 60 Hz 6P
 LO 7.5ufd Run
 □ SPEED vs WATTS
 ■ SPEED vs TORQUE
 △ SPEED vs ILine

Motor Ratings:
 (1) 3LU79BH

-1.0	-2.0	-3.0	-4.0	-5.0	-6.0	-7.0	-8.0	-9.0	AMPS
2.0	4.0	6.0	8.0	10.0	12.0	14.0	16.0	18.0	Oz-Ft
50	100	150	200	250	300	350	400	450	WATTS

DRAWING NO.	PAGE 8 of 8	REV.
	3LU79BH	-

Wiring Diagram



Dayton Electric Mfg. Co. Lake Forest, IL 60045 USA

©2019 W.W. Grainger, Inc. This design may not be reproduced, modified or redistributed without written permission from W.W. Grainger, Inc.

Dayton®

DIRECT DRIVE BLOWER MOTOR

HP: 1/3
VOLTS: 115
AMPS: 4.6
RPM: 1075 /4SPD
DUTY: CONT
SF: 1.0
KVA CODE:
ENCL: OAO
THERMALLY PROTECTED: AUTO

BAR CODE

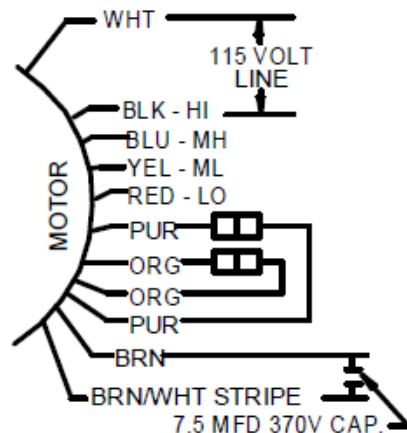
Part No 3LU79BH

PH: 1
HZ: 60
FR: 48YZ
INS CL: B
AMB: 40 °C
SFA:

Disconnect Power Before Making Any
Electrical Connections or Changes

TO REVERSE ROTATION
INTERCHANGE ORG
AND PUR LEADS

MFG. NO. PROT. CODE : 7A010 AVG.F.L
EFF.
MTR REF: K55HXKDA-2327



RU®
E37403

SA®
258501

Mfd for Dayton Electric Mfg. Co., Lake Forest, IL 60045 USA

Made In China