

Dimensional Drawing

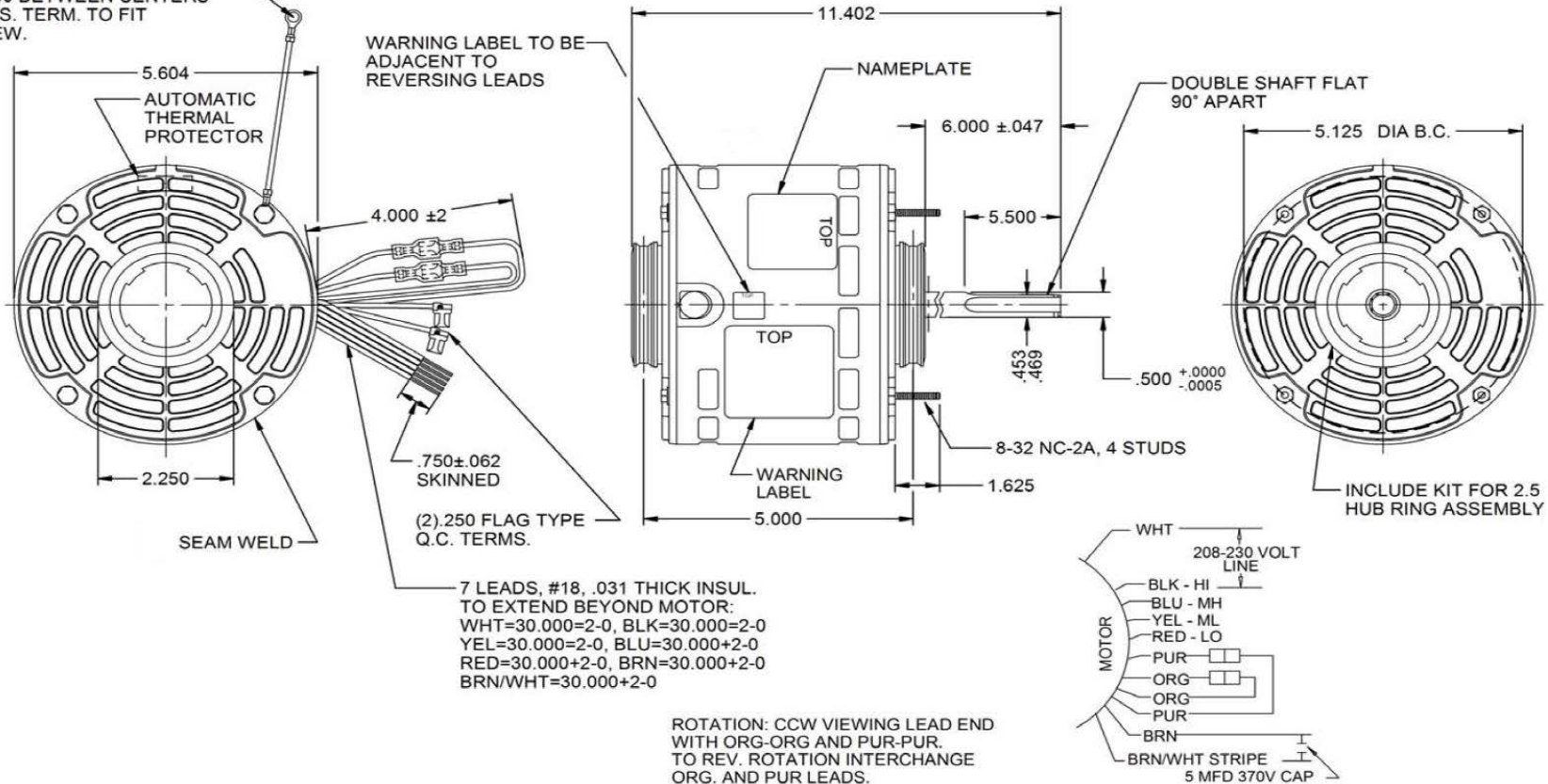


3LU76BG

REV.
-

MODEL	REF	CUSTOMER	HP	VOLTS	AMPS	HZ	RPM	ROTATION	CUSTOMER PT. NO.	DESCRIPTION / REMARKS
K55HXKCW-2338		GRAINGER	1/4	208-230	1.8-1.7	60	1075/4SPD	CCW LE REV	3LU76BG	SAB

#16 GRN/YEL GROUND LEAD TO BE 12±.250 BETWEEN CENTERS OF TERMS. TERM. TO FIT #10 SCREW.



DRAWING NO. PAGE 1 of 1 REV.
3LU76BG -

Performance Data



3LU76BG

REV.
-

SHADED-POLE & PSC MOTOR PERFORMANCE

HP:	1/4						
Poles:	6						
Ambient (°C):	40						
Altitude (FASL):							
No. of Speeds:	4						
HIGH SPEED							
Volts:	208-230	208	230				
HZ:	60	60	60				
Service Factor:	1						
Efficiency:	@ Rated Load						
Power Factor:	@ Rated Load						
Amps:	@ No Load						
	@ Rated Load	1.6	1.6				
	@ Locked Rotor	8.2	9.1				
RPM:	@ Rated Load	1089	1118				
Torques:	Breakdown	26.6	67.8				
	Locked Rotor	5.5	7.9				
	Pull-Up	5.5	7.9				
	Rated Load	19.3	18.8				
	Service Factor	N/A	N/A				
Watts:	Rated Load	290	293				
Temperature Rise:	@ Rated Load	N/A	N/A				
Thermal Protector:	Trip Temp (°C)	N/A	N/A				
Winding Material:	Start (Auxiliary)	Cu	Cu				
	Run (Main)	Cu	Cu				
Capacitor(s):	Run (MFD / Volts)	5.0 MFD 370VAC					
	No. of Run Capacitors						

MEDIUM-HIGH SPEED

HP:							
Volts:							
HZ:							
Efficiency:	@ Rated Load						
Power Factor:	@ Rated Load						
Amps:	@ No Load						
	@ Rated Load						
	@ Locked Rotor						
Torques: Oz.Ft. / Lb.In. (Circle One)	Breakdown						
	Locked Rotor						
	Pull-Up						
	Rated Load						
Watts:	@ Rated Load						
Temperature Rise:	@ Rated Load						

DRAWING NO. PAGE 1 of 1 REV.
3LU76BG -

3LU76BG

REV.

-

Dayton Manufacturing Company

Motor Description

Model: K055KCW2338 3LU76BG
 Motor ID: 1
 Poles: 6
 Volts: 208-230
 Frequency: 60
 HP: 1/4
 Speed: 1075/4
 Phase: 1
 Protector: 7AM033A5

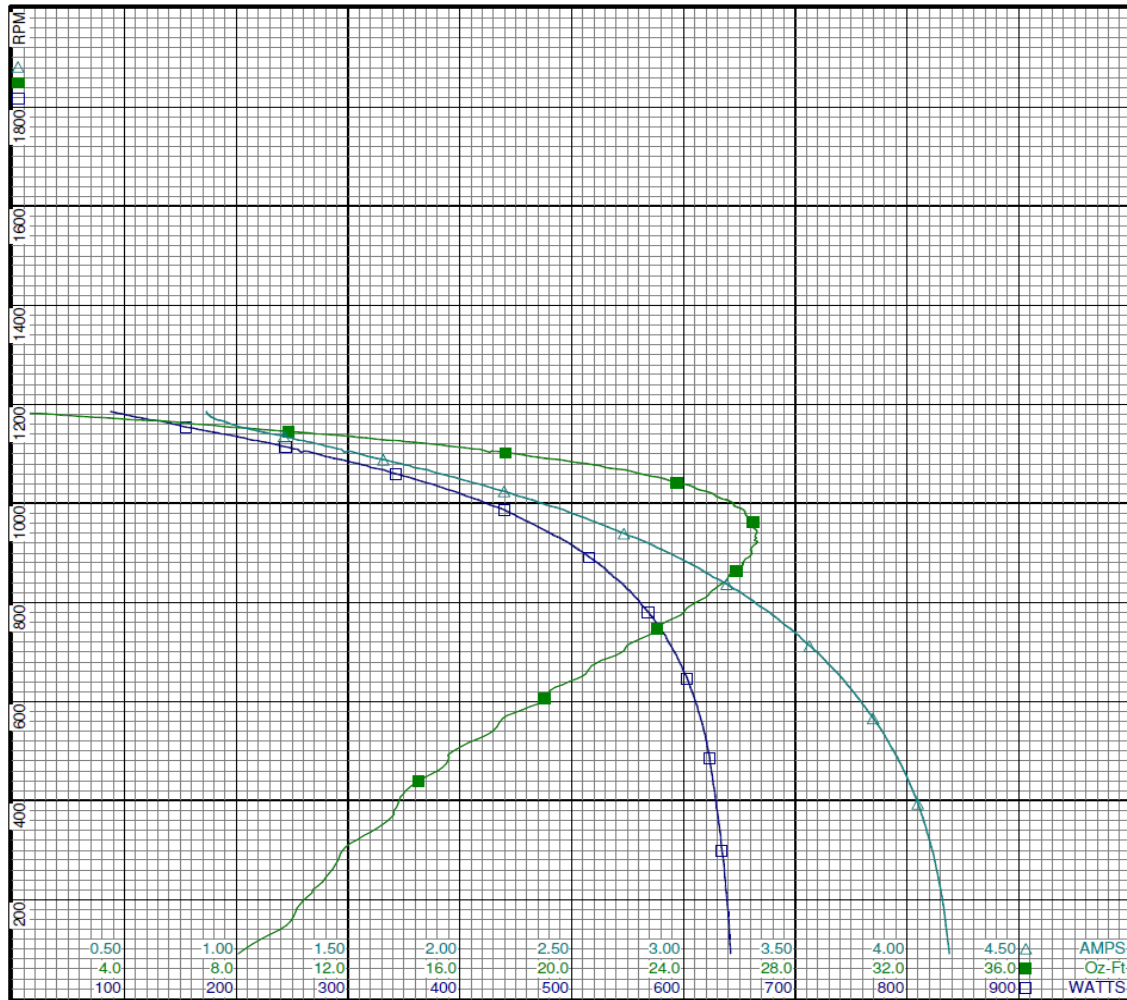
Test Conditions

Test Type: Run
 Test Number: 2
 Poles: 6
 Volts: 208
 Hz: 60
 Rotation:
 Special Cond: M1 (HIGH SPD)
 Speed Conn:
 TestBoard: Amtps Performance Fixture #4
 Run Cap: 5
 Start Cap: 0µfd
 Environment:
 Tested: 11/6/2002 10:43:33 AM
 Tested By: Sharp, Gerald
 Gear Ratio: 1:1
 Bearing Friction: -0.63 Oz-Ft
 Windage Torque: -0.70 Oz-Ft

Special Points	Vline (V)	Vaux (V)	Vcap (V)	Iline (A)	Imain (A)	Iaux (A)	Watts	RPM	Tq (Oz-ft)	HP	Eff (%)	PF (%)	Cap
	208.0	267.4	372.9	0.866	1.272	0.725	87.4	1185	0.00	0.000	0.0	48.5	5.2
	208.0	262.0	364.9	0.888	1.208	0.708	110.3	1174	2.84	0.040	26.9	59.7	5.1
	208.0	255.9	355.6	0.940	1.180	0.689	132.0	1166	5.30	0.074	41.6	67.5	5.1
	208.0	250.0	345.1	1.020	1.184	0.668	155.4	1154	7.82	0.107	51.5	73.2	5.1
	208.0	243.8	333.7	1.136	1.229	0.646	182.9	1142	10.56	0.144	58.5	77.4	5.1
	208.0	237.0	322.8	1.273	1.305	0.625	213.0	1128	13.26	0.178	62.3	80.4	5.1
	208.0	229.7	312.2	1.417	1.402	0.605	244.2	1114	15.85	0.210	64.2	82.8	5.1
	208.0	222.6	303.3	1.567	1.521	0.588	275.3	1097	18.25	0.238	64.6	84.5	5.1
0.25 HP	208.0	218.7	298.6	1.641	1.584	0.579	290.1	1089	19.28	0.250	64.3	85.0	5.1
	208.0	212.9	292.2	1.732	1.667	0.566	308.4	1081	20.47	0.263	63.7	85.6	5.1
1075 RPM	208.0	210.2	289.4	1.778	1.710	0.561	317.2	1075	21.04	0.269	63.3	85.8	5.1
	208.0	202.1	281.3	1.912	1.841	0.546	342.8	1059	22.46	0.283	61.6	86.2	5.1
	208.0	191.0	270.5	2.101	2.031	0.527	377.4	1037	24.16	0.298	59.0	86.4	5.2
	208.0	180.3	261.3	2.283	2.223	0.510	409.3	1012	25.25	0.304	55.4	86.2	5.2
	208.0	169.8	252.9	2.465	2.418	0.496	439.9	986	26.14	0.307	52.1	85.8	5.2
	208.0	159.5	245.5	2.641	2.609	0.483	467.0	956	26.43	0.301	48.0	85.0	5.2
	208.0	149.6	239.1	2.808	2.795	0.471	492.4	926	26.53	0.292	44.3	84.3	5.2
BDT OZ-FT	208.0	148.4	238.4	2.827	2.816	0.470	495.3	922	26.64	0.293	44.1	84.2	5.2
	208.0	139.6	233.5	2.970	2.977	0.462	515.7	891	26.33	0.279	40.4	83.5	5.2
	208.0	130.4	229.0	3.117	3.145	0.453	535.5	856	25.64	0.261	36.4	82.6	5.2
	208.0	121.5	225.5	3.255	3.304	0.446	553.1	820	24.95	0.243	32.8	81.7	5.3
	208.0	113.1	222.9	3.382	3.451	0.441	568.4	780	24.01	0.223	29.3	80.8	5.3
	208.0	105.0	220.9	3.502	3.590	0.438	582.1	737	22.89	0.201	25.7	79.9	5.3
	208.0	97.3	219.7	3.611	3.717	0.435	593.5	693	21.58	0.178	22.4	79.0	5.2
	208.0	90.0	219.0	3.711	3.836	0.433	603.3	645	20.19	0.155	19.2	78.2	5.2
	208.0	83.3	218.8	3.800	3.943	0.432	611.3	594	18.77	0.133	16.2	77.3	5.2
	208.0	77.0	219.0	3.884	4.043	0.432	618.0	543	17.22	0.111	13.4	76.5	5.2
	208.0	71.5	219.4	3.956	4.131	0.432	623.2	486	15.61	0.090	10.8	75.7	5.2
	208.0	67.2	220.4	4.019	4.206	0.434	627.2	425	14.18	0.072	8.5	75.0	5.2
	208.0	63.3	222.3	4.069	4.269	0.436	630.9	365	13.53	0.059	7.0	74.5	5.2
	208.0	60.1	224.9	4.112	4.322	0.442	634.2	299	11.79	0.042	4.9	74.2	5.2
	208.0	57.3	227.9	4.146	4.369	0.448	637.4	228	10.93	0.030	3.5	73.9	5.2
	208.0	54.9	230.5	4.170	4.404	0.454	640.4	156	9.94	0.018	2.2	73.8	5.2

3LU76BG

REV.
-



Curve Descriptions:

Motor(1) Test 2 Run 208V 60 Hz 6P
M1 (HIGH SPD) 5ufd Run
□ SPEED vs WATTS
■ SPEED vs TORQUE
△ SPEED vs ILine

Motor Ratings:

(1) K055KCW2338 3LU76BG

DRAWING NO. PAGE 2 of 16 REV.
3LU76BG -

3LU76BG

REV.

-

Dayton Manufacturing Company

Motor Description

Model: K055KCW2338 3LU76BG
 Motor ID: 1
 Poles: 6
 Volts: 208-230
 Frequency: 60
 HP: 1/4
 Speed: 1075/4
 Phase: 1
 Protector: 7AM033A5

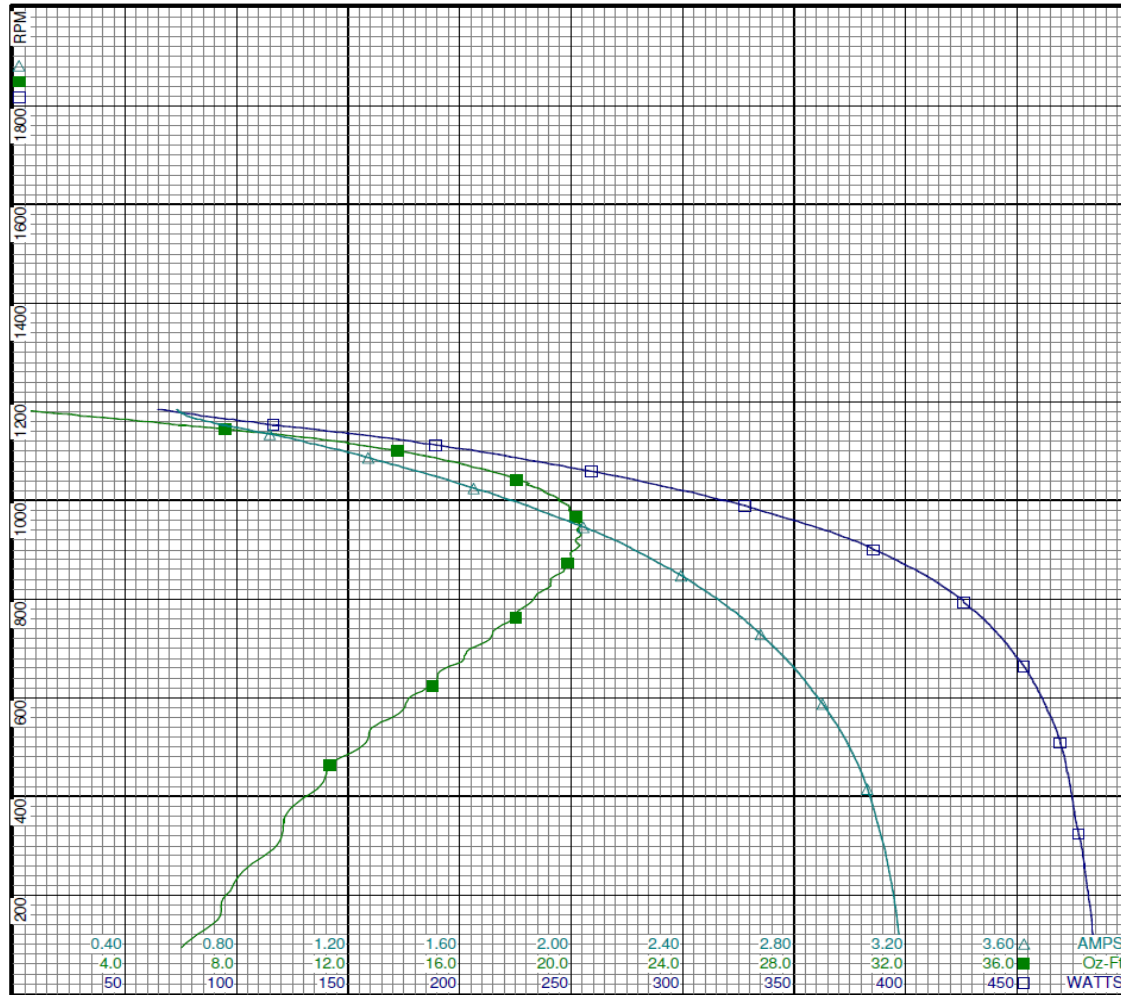
Test Conditions

Test Type: Run
 Test Number: 3
 Poles: 6
 Volts: 208
 Hz: 60
 Rotation:
 Special Cond: M2 (MED HI)
 Speed Conn:
 TestBoard: Amps Performance Fixture #4
 Run Cap: 5
 Start Cap: 0µfd
 Environment:
 Tested: 11/6/2002 10:12:30 AM
 Tested By: Sharp, Gerald
 Gear Ratio: 1:1
 Bearing Friction: -0.73 Oz-Ft
 Windage Torque: -0.72 Oz-Ft

Special Points	Vline(V)	Vaux(V)	Vcap(V)	Iline(A)	Imain(A)	Iaux(A)	Watts	RPM	Tq(Oz-ft)	HP	Eff(%)	PF(%)	Cap
	208.0	233.7	330.2	0.584	0.955	0.640	64.6	1184	0.00	0.000	0.0	53.1	5.1
	208.0	228.4	322.0	0.611	0.910	0.624	80.4	1175	1.95	0.027	25.4	63.2	5.1
	208.0	222.3	310.8	0.669	0.889	0.604	98.2	1164	4.00	0.055	42.1	70.6	5.2
	208.0	218.4	300.2	0.749	0.903	0.583	116.4	1153	5.94	0.082	52.3	74.8	5.2
	208.0	214.4	289.8	0.856	0.941	0.562	139.6	1141	8.14	0.111	59.1	78.5	5.1
	208.0	209.3	279.9	0.970	0.999	0.542	164.1	1128	10.34	0.139	63.1	81.3	5.1
	208.0	202.8	269.5	1.092	1.080	0.522	189.3	1112	12.36	0.164	64.5	83.4	5.1
	208.0	196.1	260.1	1.207	1.170	0.504	212.5	1096	14.21	0.185	65.1	84.6	5.1
	208.0	188.9	251.2	1.325	1.274	0.488	235.4	1078	15.76	0.202	64.1	85.4	5.2
1075 RPM	208.0	187.9	250.0	1.344	1.292	0.486	239.3	1075	16.01	0.205	63.9	85.6	5.2
	208.0	181.3	243.0	1.449	1.393	0.472	259.0	1059	17.12	0.216	62.1	85.9	5.2
	208.0	172.4	233.4	1.583	1.528	0.454	283.3	1036	18.40	0.227	59.8	86.0	5.2
	208.0	164.1	225.7	1.706	1.657	0.440	304.8	1016	19.08	0.231	56.5	85.9	5.2
	208.0	155.2	217.6	1.844	1.805	0.425	327.9	989	19.90	0.234	53.3	85.5	5.2
	208.0	146.4	210.8	1.974	1.951	0.412	348.5	961	20.11	0.230	49.3	84.9	5.2
	208.0	137.9	204.8	2.100	2.092	0.402	368.0	933	20.32	0.226	45.8	84.2	5.2
BDT OZ-FT	208.0	136.9	204.1	2.114	2.108	0.400	370.1	930	20.34	0.225	45.4	84.1	5.2
	208.0	129.5	199.6	2.222	2.232	0.392	385.6	900	20.15	0.216	41.8	83.4	5.2
	208.0	121.3	195.4	2.335	2.362	0.385	400.9	866	19.76	0.204	37.9	82.6	5.2
	208.0	113.6	192.1	2.441	2.485	0.379	414.8	831	19.25	0.191	34.3	81.7	5.2
	208.0	106.1	189.6	2.541	2.601	0.374	426.1	793	18.54	0.175	30.6	80.6	5.2
	208.0	98.9	187.8	2.632	2.709	0.371	436.4	752	17.71	0.159	27.1	79.7	5.2
	208.0	92.1	186.7	2.716	2.811	0.369	445.5	708	16.75	0.141	23.7	78.8	5.2
	208.0	85.6	186.1	2.794	2.904	0.368	453.0	664	15.63	0.124	20.3	77.9	5.2
	208.0	79.4	185.9	2.866	2.990	0.367	459.4	613	14.65	0.107	17.4	77.1	5.2
	208.0	73.7	186.3	2.932	3.071	0.368	465.0	562	13.65	0.091	14.6	76.2	5.2
	208.0	68.6	187.2	2.990	3.142	0.370	469.3	508	12.62	0.076	12.1	75.5	5.2
	208.0	63.3	188.3	3.038	3.204	0.372	472.2	451	11.23	0.060	9.5	74.7	5.2
	208.0	58.3	190.4	3.078	3.255	0.375	475.0	388	10.19	0.047	7.4	74.2	5.2
	208.0	53.3	193.1	3.109	3.298	0.380	477.5	323	9.63	0.037	5.8	73.8	5.2
	208.0	49.3	195.3	3.138	3.336	0.385	480.1	255	8.37	0.025	4.0	73.6	5.2
	208.0	45.4	197.6	3.160	3.369	0.391	482.3	185	7.45	0.016	2.5	73.4	5.2
	208.0	40.8	201.5	3.180	3.400	0.399	484.2	102	6.17	0.007	1.1	73.2	5.3

3LU76BG

REV.
-



Curve Descriptions:

Motor(1) Test 3 Run 208V 60 Hz 6P
M2 (MED HI) 5ufd Run
 □ SPEED vs WATTS
 ■ SPEED vs TORQUE
 △ SPEED vs ILine

Motor Ratings:

(1) K055KCW2338 3LU76BG



3LU76BG

REV.

-

Dayton Manufacturing Company

Motor Description

Model: K055KCW2338 3LU76BG
 Motor ID: 1
 Poles: 6
 Volts: 208-230
 Frequency: 60
 HP: 1/4
 Speed: 1075/4
 Phase: 1
 Protector: 7AM033A5

Test Conditions

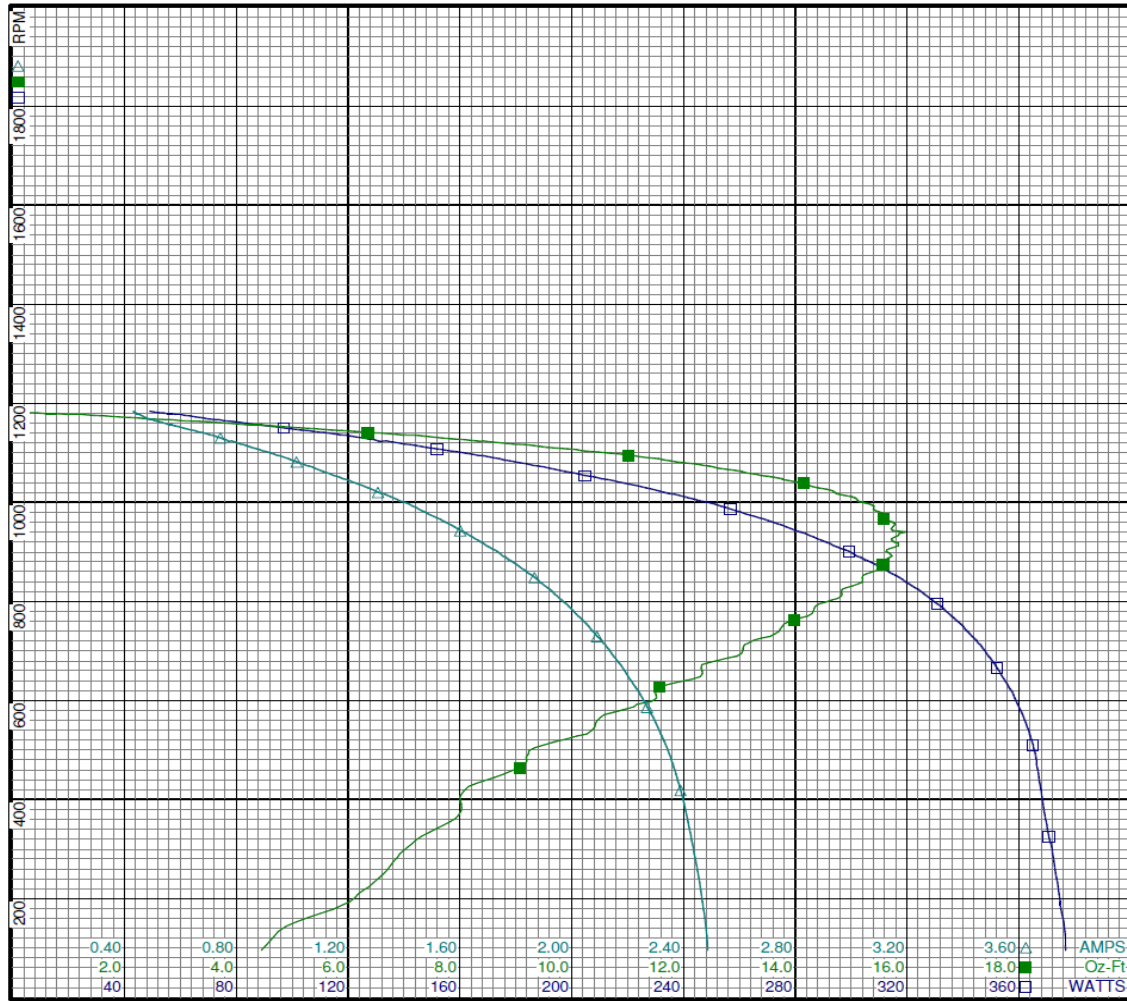
Test Type: Run
 Test Number: 4
 Poles: 6
 Volts: 208
 Hz: 60
 Rotation:
 Special Cond: M3 (MED LO)
 Speed Conn:
 TestBoard: Amps Performance Fixture #4
 Run Cap: 5
 Start Cap: 0µfd
 Environment:
 Tested: 11/6/2002 9:40:15 AM
 Tested By: Sharp, Gerald
 Gear Ratio: 1:1
 Bearing Friction: -0.84 Oz-Ft
 Windage Torque: -0.55 Oz-Ft

Special Points	Vline(V)	Vaux(V)	Vcap(V)	Iline(A)	Imain(A)	Iaux(A)	Watts	RPM	Tq(Oz-ft)	HP	Eff(%)	PF(%)	Cap
	208.0	208.6	295.3	0.432	0.782	0.574	49.0	1184	0.000	0.000	0.0	54.6	5.2
	208.0	204.0	286.9	0.464	0.739	0.557	63.6	1174	1.669	0.023	27.4	65.9	5.2
	208.0	199.3	274.3	0.529	0.724	0.535	80.3	1162	3.569	0.049	45.9	73.0	5.2
	208.0	197.0	263.5	0.610	0.739	0.512	97.1	1150	5.183	0.071	54.5	76.6	5.2
	208.0	194.3	254.7	0.696	0.769	0.495	115.3	1138	6.781	0.092	59.4	79.6	5.2
	208.0	190.3	246.2	0.783	0.812	0.479	133.5	1124	8.411	0.113	62.9	82.0	5.2
	208.0	185.4	237.7	0.873	0.869	0.462	151.8	1108	9.922	0.131	64.3	83.6	5.2
	208.0	179.9	228.9	0.967	0.941	0.445	170.3	1092	11.226	0.146	63.9	84.7	5.2
1075 RPM	208.0	174.8	221.8	1.047	1.011	0.431	185.8	1075	12.331	0.158	63.4	85.3	5.2
	208.0	174.1	220.8	1.060	1.022	0.429	188.1	1073	12.457	0.159	63.1	85.3	5.2
	208.0	168.2	213.9	1.149	1.106	0.417	204.7	1054	13.384	0.168	61.2	85.7	5.2
	208.0	161.5	206.0	1.249	1.207	0.401	222.8	1034	14.239	0.175	58.7	85.7	5.2
	208.0	154.4	198.3	1.351	1.315	0.387	240.2	1011	15.003	0.181	56.1	85.5	5.2
	208.0	147.4	191.5	1.453	1.425	0.374	256.9	986	15.397	0.181	52.5	85.0	5.2
	208.0	140.7	185.6	1.548	1.532	0.364	272.0	960	15.742	0.180	49.3	84.5	5.2
BDT OZ-FT	208.0	136.2	182.1	1.612	1.604	0.357	281.7	940	15.966	0.179	47.3	84.0	5.2
	208.0	133.8	180.4	1.644	1.640	0.354	286.4	930	15.782	0.175	45.5	83.8	5.2
	208.0	127.3	176.1	1.733	1.743	0.346	299.2	901	15.622	0.167	41.8	83.0	5.2
	208.0	120.5	172.2	1.821	1.846	0.339	311.1	866	15.517	0.160	38.4	82.1	5.2
	208.0	114.0	169.1	1.904	1.944	0.334	321.8	831	15.018	0.149	34.4	81.2	5.2
	208.0	107.6	166.9	1.981	2.035	0.329	330.8	794	14.417	0.136	30.7	80.3	5.2
	208.0	101.7	165.1	2.053	2.123	0.326	339.1	754	13.799	0.124	27.3	79.4	5.2
	208.0	96.0	164.0	2.120	2.204	0.324	346.2	712	13.086	0.111	23.9	78.5	5.2
	208.0	90.4	163.5	2.182	2.280	0.324	352.0	665	12.313	0.098	20.7	77.6	5.2
	208.0	85.4	163.5	2.239	2.350	0.324	357.4	618	11.481	0.084	17.6	76.8	5.3
	208.0	80.1	164.1	2.291	2.415	0.326	361.7	565	10.511	0.071	14.6	75.9	5.3
	208.0	75.0	165.2	2.336	2.473	0.328	365.1	509	9.481	0.057	11.7	75.1	5.3
	208.0	70.1	166.4	2.372	2.522	0.330	366.9	451	8.782	0.047	9.6	74.4	5.3
	208.0	65.3	168.0	2.402	2.563	0.331	368.5	391	8.023	0.037	7.6	73.8	5.2
	208.0	61.0	169.8	2.426	2.596	0.335	370.7	326	7.320	0.028	5.7	73.5	5.2
	208.0	56.7	172.2	2.449	2.628	0.340	372.9	257	6.696	0.021	4.1	73.2	5.2
	208.0	52.6	174.6	2.469	2.658	0.345	374.7	186	5.895	0.013	2.6	73.0	5.2
	208.0	47.6	178.0	2.485	2.684	0.353	376.5	104	4.524	0.006	1.1	72.8	5.3

DRAWING NO. PAGE 5 of 16 REV.
3LU76BG -

3LU76BG

REV.
-



Curve Descriptions:
 Motor(1) Test 4 Run 208V 60 Hz 6P
 M3 (MED LO) 5ufd Run
 □ SPEED vs WATTS
 ■ SPEED vs TORQUE
 △ SPEED vs ILine

Motor Ratings:
 (1) K055KCW2338 3LU76BG

3LU76BG

REV.

-

Dayton Manufacturing Company

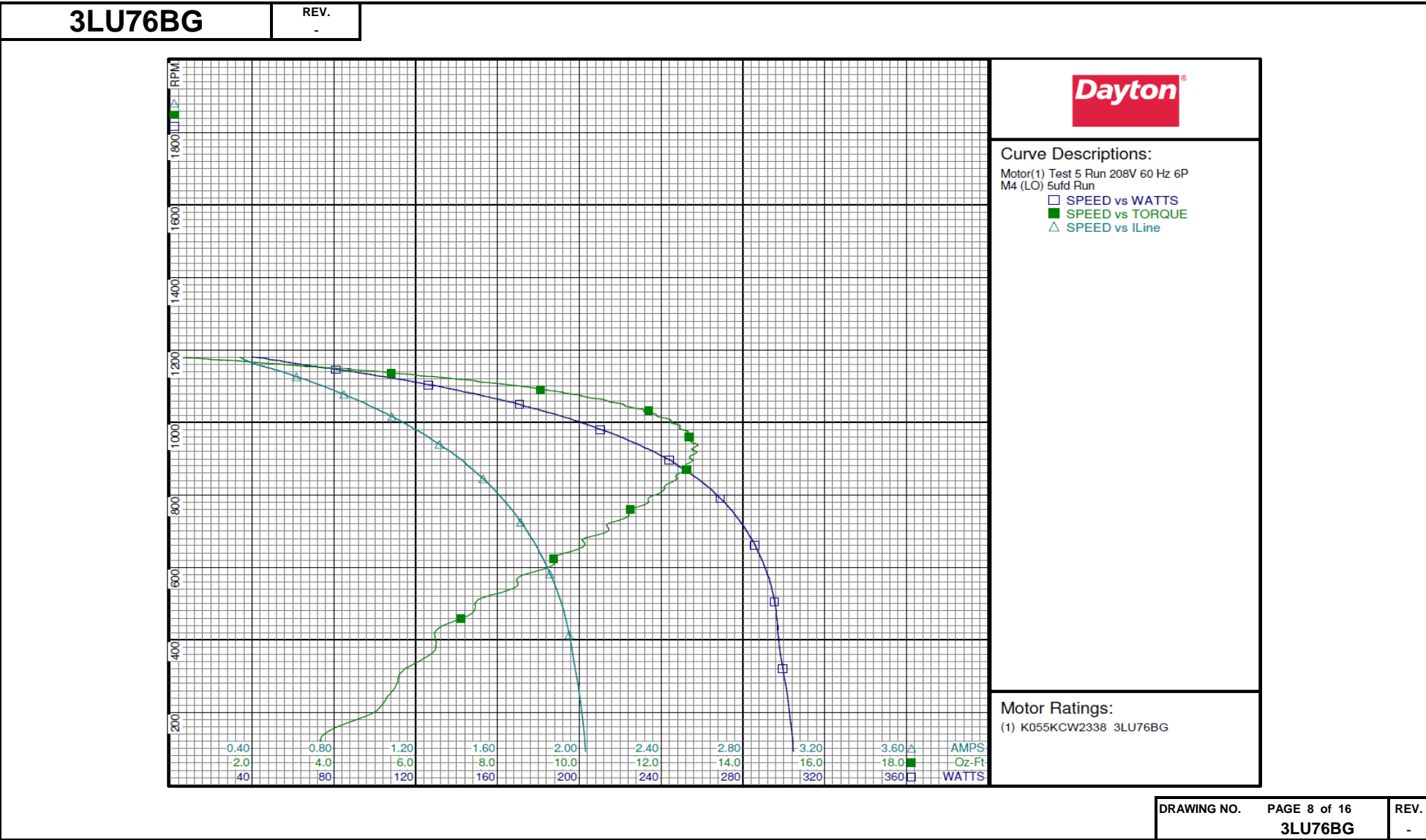
Motor Description

Model: K055KCW2338 3LU76BG
 Motor ID: 1
 Poles: 6
 Volts: 208-230
 Frequency: 60
 HP: 1/4
 Speed: 1075/4
 Phase: 1
 Protector: 7AM033A5

Test Conditions

Test Type: Run
 Test Number: 5
 Poles: 6
 Volts: 208
 Hz: 60
 Rotation:
 Special Cond: M4 (LO)
 Speed Conn:
 TestBoard: Amtps Performance Fixture #4
 Run Cap: 5
 Start Cap: 0µfd
 Environment:
 Tested: 11/6/2002 9:11:03 AM
 Tested By: Sharp, Gerald
 Gear Ratio: 1:1
 Bearing Friction: -0.86 Oz-Ft
 Windage Torque: -0.52 Oz-Ft

Special Points	Vline (V)	Vaux (V)	Vcap (V)	Iline (A)	Imain (A)	Iaux (A)	Watts	RPM	Tq(Oz-ft)	HP	Eff (%)	PF (%)	Cap
	208.0	189.2	266.8	0.339	0.664	0.517	40.0	1180	0.000	0.000	0.0	56.7	5.1
	208.0	185.2	256.7	0.376	0.625	0.500	53.6	1170	1.591	0.022	30.9	68.5	5.2
	208.0	183.1	245.2	0.436	0.617	0.480	66.9	1158	2.980	0.041	45.8	73.9	5.2
	208.0	182.4	235.5	0.507	0.629	0.459	81.1	1146	4.348	0.059	54.6	76.9	5.2
	208.0	180.6	227.2	0.581	0.650	0.442	96.6	1134	5.761	0.078	60.0	80.0	5.2
	208.0	177.3	219.6	0.652	0.683	0.427	111.3	1120	6.993	0.093	62.5	82.1	5.2
	208.0	173.5	211.9	0.726	0.729	0.412	126.2	1104	8.222	0.108	63.9	83.6	5.2
	208.0	168.7	203.6	0.808	0.792	0.396	142.0	1086	9.373	0.121	63.7	84.5	5.2
1075 RPM	208.0	165.5	198.7	0.859	0.836	0.387	151.6	1075	10.008	0.128	63.0	84.8	5.2
	208.0	164.1	196.4	0.882	0.856	0.383	156.1	1069	10.194	0.130	62.0	85.0	5.2
	208.0	158.8	189.3	0.963	0.933	0.369	170.7	1050	11.081	0.138	60.5	85.2	5.2
	208.0	153.7	182.9	1.041	1.011	0.357	184.3	1028	11.636	0.142	57.6	85.2	5.2
	208.0	148.3	176.5	1.120	1.095	0.345	197.8	1005	12.244	0.146	55.3	84.9	5.2
	208.0	143.0	170.8	1.198	1.181	0.334	210.3	980	12.495	0.146	51.7	84.4	5.2
	208.0	137.6	165.5	1.273	1.266	0.325	222.3	954	12.788	0.145	48.8	83.9	5.2
BDT OZ-FT	208.0	134.5	162.9	1.316	1.316	0.320	228.7	939	12.883	0.144	47.0	83.5	5.2
	208.0	132.0	160.9	1.350	1.355	0.317	233.5	927	12.744	0.141	44.9	83.2	5.2
	208.0	126.4	156.8	1.424	1.441	0.310	244.1	897	12.767	0.136	41.7	82.4	5.2
	208.0	121.1	153.6	1.493	1.522	0.303	253.2	863	12.513	0.128	37.9	81.5	5.2
	208.0	115.6	150.9	1.560	1.603	0.299	261.6	828	12.119	0.119	34.1	80.6	5.3
	208.0	110.3	148.8	1.623	1.679	0.295	269.0	790	11.678	0.110	30.5	79.7	5.3
	208.0	105.3	147.5	1.682	1.752	0.293	275.4	750	11.208	0.100	27.1	78.7	5.3
	208.0	100.6	146.8	1.737	1.820	0.291	281.1	707	10.724	0.090	23.9	77.8	5.3
	208.0	95.9	146.4	1.787	1.882	0.291	285.9	662	10.137	0.080	20.8	76.9	5.3
	208.0	91.4	146.7	1.833	1.940	0.292	289.9	613	9.407	0.069	17.7	76.1	5.3
	208.0	86.7	147.6	1.874	1.993	0.294	293.2	561	8.484	0.057	14.4	75.2	5.3
	208.0	82.3	148.5	1.910	2.041	0.296	295.5	505	7.489	0.045	11.4	74.4	5.3
	208.0	78.1	149.7	1.939	2.081	0.297	296.8	445	6.799	0.036	9.1	73.6	5.3
	208.0	74.0	151.0	1.961	2.112	0.298	297.7	385	6.491	0.030	7.5	73.0	5.2
	208.0	70.1	153.0	1.980	2.139	0.302	299.5	320	5.737	0.022	5.4	72.7	5.2
	208.0	66.3	155.2	2.000	2.168	0.307	301.6	251	5.375	0.016	4.0	72.5	5.2
	208.0	62.8	157.2	2.016	2.192	0.311	303.1	179	4.538	0.010	2.4	72.3	5.3
	208.0	58.5	160.3	2.029	2.214	0.319	304.5	100	3.608	0.004	1.1	72.2	5.3



3LU76BG

REV.

-

Dayton Manufacturing Company

Motor Description

Model: K055KCW2338 3LU76BG
 Motor ID: 1
 Poles: 6
 Volts: 208-230
 Frequency: 60
 HP: 1/4
 Speed: 1075/4
 Phase: 1
 Protector: 7AM033A5

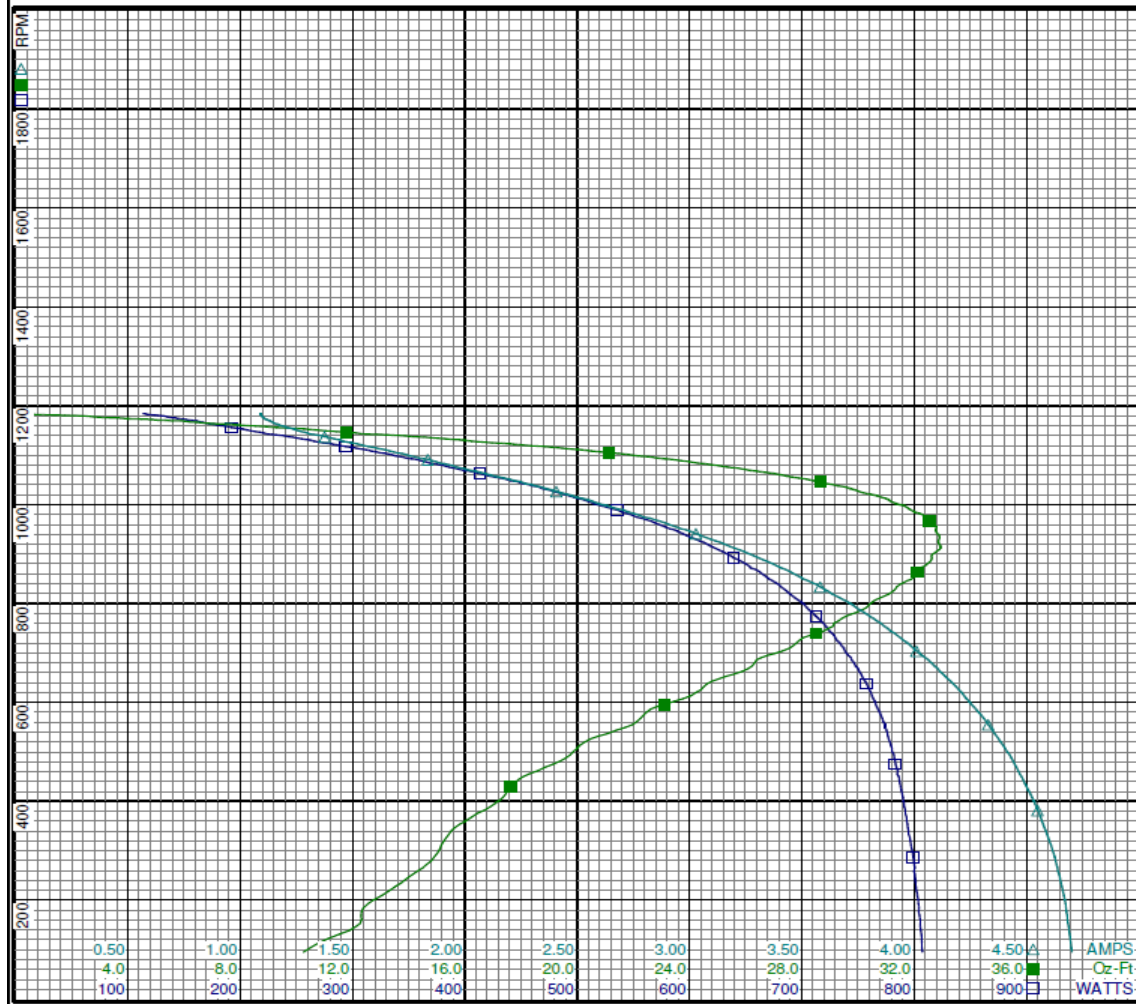
Test Conditions

Test Type: Run
 Test Number: 22
 Poles: 6
 Volts: 230
 Hz: 60
 Rotation:
 Special Cond: M1 (HIGH SPD)
 Speed Conn:
 TestBoard: Amps Performance Fixture #4
 Run Cap: 5
 Start Cap: Qufd
 Environment:
 Tested: 11/6/2002 10:44:26 AM
 Tested By: Sharp, Gerald
 Gear Ratio: 1:1
 Bearing Friction: -0.59 Oz-Ft
 Windage Torque: -0.70 Oz-Ft

Special Points	Vline (V)	Vaux (V)	Vcap (V)	Iline (A)	Imain (A)	Iaux (A)	Watts	RPM	Tq(Oz-ft)	HP	Eff (%)	PF (%)	Cap
	230.0	288.5	404.8	1.091	1.534	0.788	113.3	1184	0.00	0.000	0.0	45.1	5.2
	230.0	283.8	397.5	1.101	1.467	0.773	138.3	1175	3.21	0.045	24.2	54.6	5.2
	230.0	279.0	389.6	1.139	1.428	0.757	163.8	1167	6.16	0.086	39.0	62.5	5.2
	230.0	273.4	380.1	1.208	1.415	0.738	192.2	1156	9.28	0.128	49.6	69.2	5.2
	230.0	267.5	369.7	1.310	1.440	0.718	224.5	1142	12.43	0.169	56.2	74.5	5.2
	230.0	261.1	359.3	1.431	1.495	0.698	258.1	1131	15.59	0.210	60.7	78.4	5.2
0.25 HP	230.0	253.8	348.9	1.568	1.579	0.677	293.4	1118	18.79	0.250	63.6	81.4	5.1
	230.0	253.6	348.7	1.570	1.580	0.677	294.0	1117	18.86	0.251	63.6	81.4	5.1
	230.0	245.0	337.4	1.737	1.704	0.656	334.1	1101	21.80	0.286	63.8	83.6	5.2
	230.0	235.2	326.5	1.907	1.849	0.635	372.8	1082	24.51	0.316	63.2	85.0	5.2
1075 RPM	230.0	231.8	322.6	1.968	1.905	0.628	386.6	1075	25.42	0.325	62.8	85.4	5.2
	230.0	224.6	315.3	2.091	2.020	0.615	413.2	1063	26.99	0.341	61.6	85.9	5.2
	230.0	213.6	304.6	2.293	2.219	0.596	455.6	1041	29.05	0.360	58.9	86.4	5.2
	230.0	202.3	294.4	2.501	2.434	0.578	497.5	1014	30.87	0.373	55.9	86.5	5.2
	230.0	191.3	285.3	2.705	2.648	0.562	535.9	989	31.89	0.375	52.3	86.1	5.2
	230.0	179.7	276.5	2.916	2.876	0.546	574.3	958	32.75	0.374	48.5	85.6	5.2
	230.0	168.4	268.9	3.115	3.095	0.532	608.9	926	32.86	0.362	44.4	85.0	5.3
BDT OZ-FT	230.0	164.5	266.5	3.181	3.168	0.528	619.5	915	32.95	0.359	43.2	84.7	5.3
	230.0	157.0	262.3	3.307	3.309	0.520	639.3	892	32.64	0.347	40.4	84.1	5.3
	230.0	145.8	256.4	3.490	3.517	0.509	668.1	854	32.01	0.326	36.3	83.2	5.3
	230.0	135.4	252.0	3.654	3.703	0.501	692.0	815	30.95	0.300	32.4	82.3	5.3
	230.0	125.7	248.6	3.803	3.876	0.495	712.6	774	29.57	0.272	28.5	81.5	5.3
	230.0	116.4	246.2	3.939	4.033	0.489	729.8	731	28.04	0.244	24.9	80.6	5.3
	230.0	107.7	244.7	4.063	4.179	0.485	744.3	686	26.39	0.215	21.6	79.6	5.3
	230.0	99.7	243.8	4.174	4.310	0.483	757.6	638	24.63	0.187	18.4	78.9	5.3
	230.0	92.0	243.3	4.276	4.431	0.482	767.9	586	22.61	0.158	15.3	78.1	5.3
	230.0	84.8	243.5	4.368	4.541	0.481	776.7	531	20.74	0.131	12.6	77.3	5.2
	230.0	78.1	243.9	4.448	4.638	0.480	783.4	475	19.14	0.108	10.3	76.6	5.2
	230.0	72.4	244.7	4.517	4.723	0.480	789.4	415	17.45	0.086	8.1	76.0	5.2
	230.0	68.0	246.2	4.575	4.794	0.482	794.1	353	15.81	0.066	6.2	75.5	5.2
	230.0	64.4	249.2	4.626	4.858	0.488	799.0	287	14.89	0.051	4.7	75.1	5.2
	230.0	62.4	251.3	4.662	4.904	0.494	802.1	219	13.29	0.035	3.2	74.8	5.2
	230.0	59.6	254.4	4.688	4.941	0.501	805.4	147	12.14	0.021	2.0	74.7	5.2

3LU76BG

REV.
-



Curve Descriptions:
 Motor(1) Test 22 Run 230V 60 Hz 6P
 M1 (HIGH SPD) 5ufd Run
 □ SPEED vs WATTS
 ■ SPEED vs TORQUE
 △ SPEED vs ILine

Motor Ratings:
 (1) K055KCW2338 3LU76BG

3LU76BG

REV.

-

Dayton Manufacturing Company

Motor Description

Model: K055KCW2338 3LU76BG
 Motor ID: 1
 Poles: 6
 Volts: 208-230
 Frequency: 60
 HP: 1/4
 Speed: 1075/4
 Phase: 1
 Protector: 7AM033A5

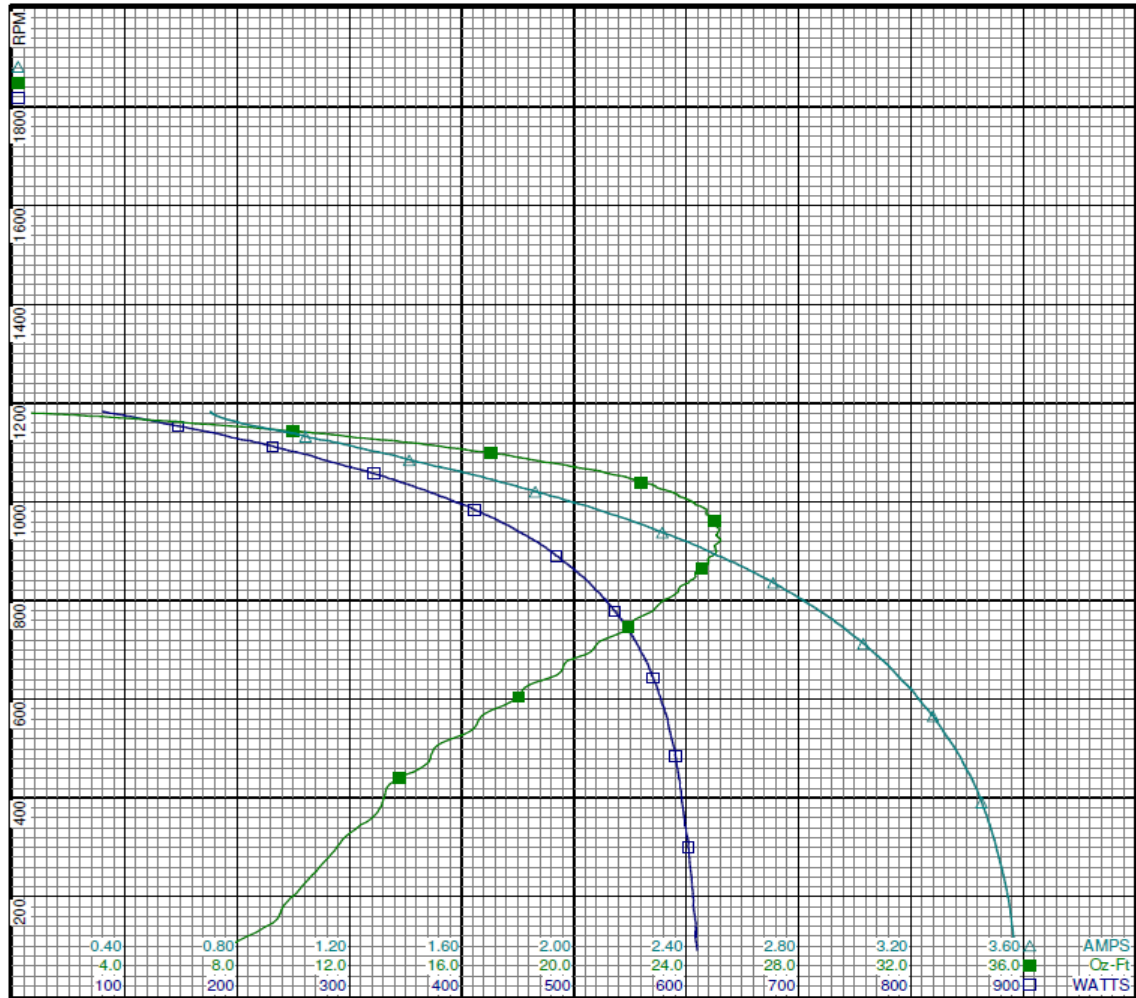
Test Conditions

Test Type: Run
 Test Number: 23
 Poles: 6
 Volts: 230
 Hz: 60
 Rotation:
 Special Cond: M2 (MED HI)
 Speed Conn:
 TestBoard: Amps Performance Fixture #4
 Run Cap: 5
 Start Cap: 0ufd
 Environment:
 Tested: 11/6/2002 10:13:21 AM
 Tested By: Sharp, Gerald
 Gear Ratio: 1:1
 Bearing Friction: -0.72 Oz-Ft
 Windage Torque: -0.68 Oz-Ft

Special Points	Vline (V)	Vaux (V)	Vcap (V)	Iline (A)	Imain (A)	Iaux (A)	Watts	RPM	Tq(Oz-ft)	HP	Eff (%)	PF (%)	Cap
	230.0	255.3	361.0	0.704	1.113	0.700	80.1	1183	0.00	0.000	0.0	49.5	5.1
	230.0	250.1	352.3	0.727	1.054	0.683	101.5	1173	2.78	0.039	28.5	60.7	5.1
	230.0	244.0	341.3	0.783	1.024	0.662	124.0	1164	5.29	0.073	44.1	68.9	5.1
	230.0	239.0	329.9	0.863	1.028	0.639	147.5	1153	7.78	0.107	54.0	74.3	5.1
	230.0	233.9	317.8	0.981	1.070	0.615	176.6	1140	10.58	0.144	60.7	78.3	5.1
	230.0	228.7	307.6	1.095	1.130	0.596	204.2	1126	13.06	0.175	63.9	81.1	5.1
	230.0	222.3	297.7	1.213	1.206	0.576	231.8	1112	15.24	0.202	64.9	83.1	5.1
	230.0	215.0	287.7	1.345	1.308	0.557	262.0	1096	17.50	0.228	65.0	84.7	5.1
	230.0	208.6	279.8	1.472	1.418	0.542	289.6	1077	19.40	0.249	64.1	85.6	5.1
1075 RPM	230.0	207.7	278.7	1.484	1.430	0.540	292.5	1075	19.60	0.251	64.0	85.7	5.1
	230.0	198.6	268.2	1.625	1.563	0.521	321.9	1057	21.25	0.267	62.0	86.1	5.1
	230.0	189.0	258.2	1.774	1.714	0.502	352.6	1035	22.78	0.281	59.4	86.4	5.2
	230.0	179.1	249.0	1.929	1.877	0.486	382.3	1010	23.76	0.286	55.8	86.2	5.2
	230.0	169.5	240.6	2.085	2.043	0.471	411.5	984	24.73	0.290	52.5	85.8	5.2
	230.0	160.0	233.3	2.232	2.207	0.458	437.6	956	24.93	0.284	48.4	85.2	5.2
	230.0	150.4	226.8	2.377	2.371	0.446	462.5	925	25.21	0.277	44.8	84.6	5.2
BDT OZ-FT	230.0	149.4	226.1	2.392	2.387	0.445	464.9	921	25.21	0.276	44.4	84.5	5.2
	230.0	141.3	221.4	2.511	2.523	0.436	484.0	890	24.93	0.264	40.7	83.8	5.2
	230.0	132.2	216.8	2.642	2.672	0.428	503.1	856	24.32	0.248	36.8	82.8	5.2
	230.0	123.6	213.4	2.762	2.811	0.422	521.0	818	23.71	0.231	33.1	82.0	5.2
	230.0	115.2	210.6	2.876	2.944	0.417	536.4	779	22.81	0.211	29.4	81.1	5.2
	230.0	107.0	208.7	2.979	3.066	0.413	549.3	736	21.72	0.190	25.9	80.2	5.2
	230.0	99.4	207.4	3.073	3.179	0.411	560.9	691	20.44	0.168	22.4	79.4	5.3
	230.0	92.1	206.7	3.160	3.284	0.409	570.4	643	19.14	0.147	19.2	78.5	5.2
	230.0	84.9	206.4	3.238	3.379	0.408	578.1	593	17.70	0.125	16.1	77.6	5.2
	230.0	78.4	206.8	3.310	3.465	0.408	584.5	540	16.43	0.106	13.5	76.8	5.2
	230.0	72.7	207.2	3.372	3.542	0.408	590.1	486	14.89	0.086	10.9	76.1	5.2
	230.0	67.8	208.3	3.426	3.609	0.410	594.4	428	13.43	0.068	8.6	75.4	5.2
	230.0	62.5	210.4	3.470	3.664	0.413	597.7	365	12.91	0.056	7.0	74.9	5.2
	230.0	57.2	213.5	3.504	3.711	0.419	601.7	301	11.56	0.041	5.1	74.7	5.2
	230.0	52.7	215.9	3.536	3.754	0.425	604.8	228	10.41	0.028	3.5	74.4	5.2
	230.0	48.4	218.6	3.558	3.787	0.432	607.8	156	9.44	0.018	2.1	74.3	5.2

3LU76BG

REV.
-



Dayton

Curve Descriptions:
 Motor(1) Test 23 Run 230V 60 Hz 6P
 M2 (MED HI) 5ufd Run
 □ SPEED vs WATTS
 ■ SPEED vs TORQUE
 △ SPEED vs ILine

Motor Ratings:
 (1) K055KCW2338 3LU76BG

Performance Data



3LU76BG

REV.

-

Dayton Manufacturing Company

Motor Description

Model: K055KCW2338 3LU76BG
 Motor ID: 1
 Poles: 6
 Volts: 208-230
 Frequency: 60
 HP: 1/4
 Speed: 1075/4
 Phase: 1
 Protector: 7AM033A5

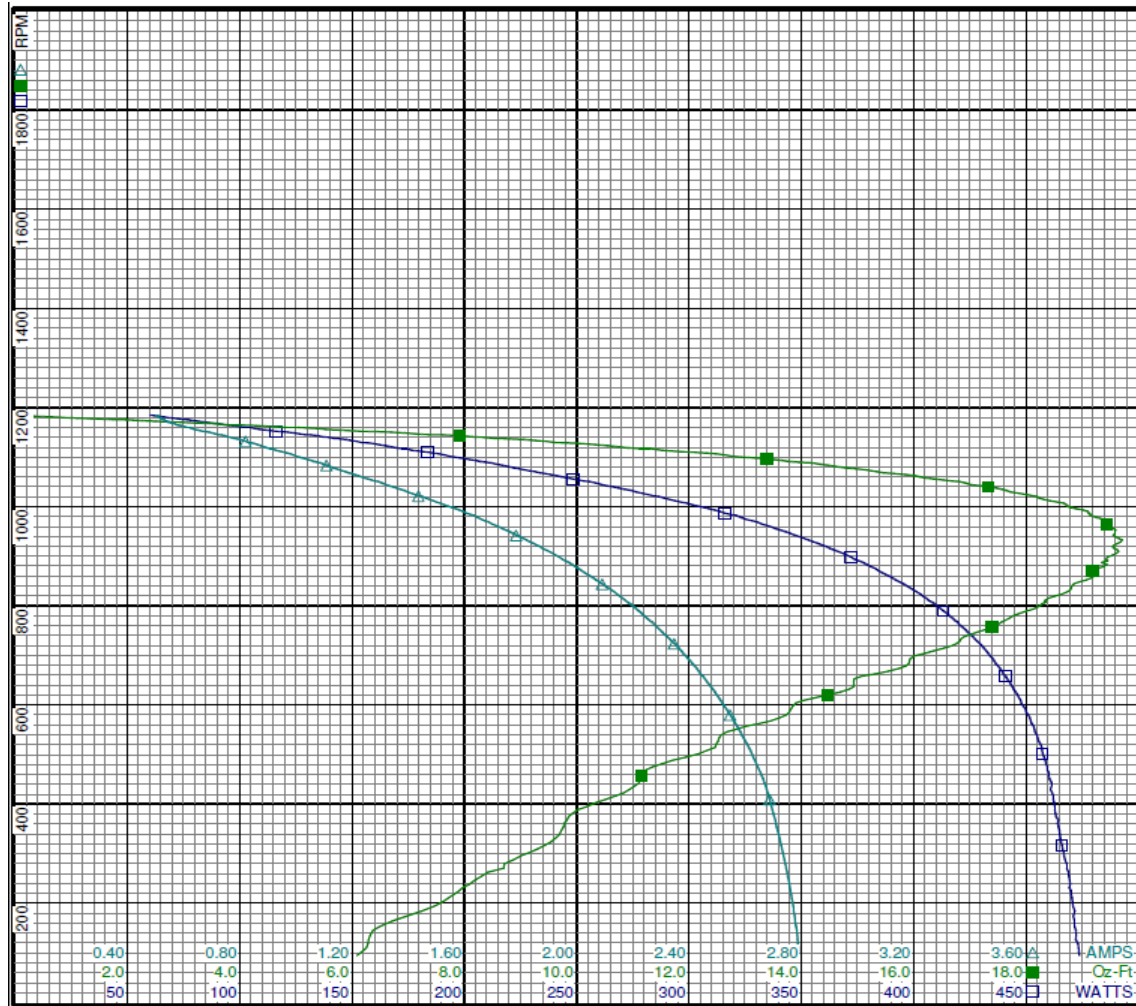
Test Conditions

Test Type: Run Run Cap: 5
 Test Number: 24 Start Cap: 0ufd
 Poles: 6 Environment:
 Volts: 230 Tested: 11/6/2002 9:41:31 AM
 Hz: 60 Tested By: Sharp, Gerald
 Rotation: Gear Ratio: 1:1
 Special Cond: M3 (MED LO) Bearing Friction: -0.80 Oz-Ft
 Speed Conn: Windage Torque: -0.53 Oz-Ft
 TestBoard: Amtps Performance Fixture #4

Special Points	Vline (V)	Vaux (V)	Vcap (V)	Iline (A)	Imain (A)	Iaux (A)	Watts	RPM	Tq (Oz-ft)	HP	Eff (%)	PF (%)	Cap
	230.0	229.6	324.3	0.504	0.890	0.629	60.1	1184	0.000	0.000	0.0	51.8	5.1
	230.0	224.9	315.2	0.535	0.836	0.611	79.2	1173	2.259	0.032	29.7	64.4	5.1
	230.0	219.8	303.5	0.590	0.815	0.590	96.9	1163	4.286	0.059	45.7	71.4	5.2
	230.0	217.1	292.1	0.669	0.824	0.567	116.3	1152	6.189	0.085	54.4	75.6	5.2
	230.0	214.1	281.7	0.768	0.855	0.546	139.7	1139	8.353	0.113	60.5	79.1	5.1
	230.0	209.8	272.4	0.864	0.901	0.528	162.0	1125	10.333	0.138	63.7	81.5	5.1
	230.0	205.1	263.5	0.958	0.959	0.511	183.8	1110	12.047	0.159	64.6	83.4	5.1
	230.0	199.7	254.6	1.054	1.030	0.495	204.9	1093	13.646	0.178	64.6	84.6	5.2
1075 RPM	230.0	193.9	246.7	1.148	1.109	0.479	225.3	1075	15.043	0.193	63.7	85.3	5.2
	230.0	193.5	246.3	1.154	1.114	0.479	226.8	1074	15.146	0.194	63.7	85.4	5.2
	230.0	186.9	238.4	1.258	1.210	0.463	248.6	1056	16.377	0.206	61.8	85.9	5.2
	230.0	179.1	229.3	1.372	1.324	0.446	271.3	1035	17.572	0.216	59.5	86.0	5.2
	230.0	171.3	220.9	1.488	1.445	0.430	293.9	1012	18.428	0.222	56.3	85.8	5.2
	230.0	163.5	213.2	1.608	1.574	0.416	316.0	986	19.121	0.225	53.0	85.4	5.2
	230.0	155.6	206.3	1.724	1.703	0.404	336.8	959	19.480	0.222	49.2	84.9	5.2
BDT OZ-FT	230.0	148.9	200.9	1.821	1.812	0.394	353.2	933	19.716	0.219	46.2	84.3	5.2
	230.0	148.1	200.3	1.833	1.825	0.393	355.2	929	19.689	0.218	45.7	84.3	5.2
	230.0	140.4	195.2	1.938	1.946	0.384	372.3	898	19.450	0.208	41.7	83.5	5.2
	230.0	132.9	191.0	2.038	2.063	0.376	387.5	863	19.211	0.197	38.0	82.7	5.2
	230.0	125.5	187.6	2.133	2.175	0.370	401.2	828	18.746	0.185	34.4	81.8	5.2
	230.0	118.4	185.0	2.222	2.280	0.365	413.4	789	18.007	0.169	30.5	80.9	5.2
	230.0	111.5	183.1	2.305	2.380	0.362	424.2	747	17.135	0.152	26.8	80.0	5.2
	230.0	104.9	181.8	2.380	2.472	0.359	433.4	703	16.184	0.135	23.3	79.2	5.2
	230.0	98.8	181.1	2.449	2.559	0.358	440.9	658	15.087	0.118	20.0	78.3	5.2
	230.0	92.8	180.8	2.513	2.638	0.357	447.7	609	14.035	0.102	17.0	77.5	5.2
	230.0	87.3	181.2	2.571	2.711	0.358	453.5	557	13.016	0.086	14.2	76.7	5.2
	230.0	82.0	181.9	2.624	2.776	0.359	457.5	501	12.171	0.073	11.8	75.8	5.2
	230.0	77.0	183.1	2.669	2.833	0.360	461.5	443	11.108	0.059	9.5	75.2	5.2
	230.0	72.1	184.9	2.700	2.875	0.363	463.2	381	9.922	0.045	7.2	74.6	5.2
	230.0	67.1	187.1	2.728	2.913	0.368	466.1	317	9.433	0.036	5.7	74.3	5.2
	230.0	62.1	190.0	2.756	2.951	0.374	469.4	246	8.181	0.024	3.8	74.1	5.2
	230.0	57.5	192.7	2.776	2.982	0.380	471.1	175	6.990	0.015	2.3	73.8	5.2
	230.0	52.2	196.2	2.791	3.008	0.389	473.8	94	6.086	0.007	1.1	73.8	5.3

3LU76BG

REV.
-



Curve Descriptions:

Motor(1) Test 24 Run 230V 60 Hz 6P
M3 (MED LO) 5ufd Run

- SPEED vs WATTS
- SPEED vs TORQUE
- △ SPEED vs ILine

Motor Ratings:

(1) K055KCW2338 3LU76BG

3LU76BG

REV.

-

Dayton Manufacturing Company

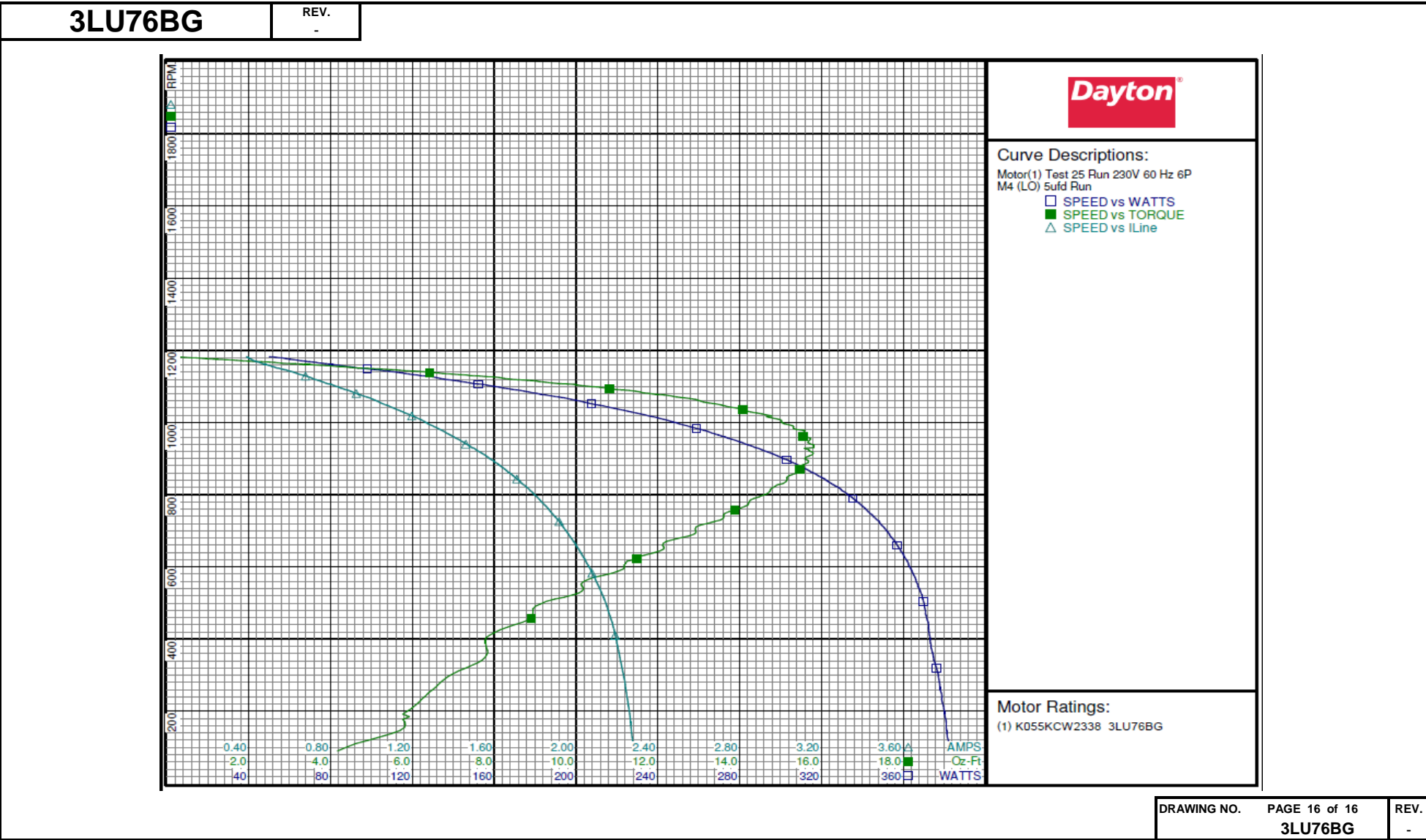
Motor Description

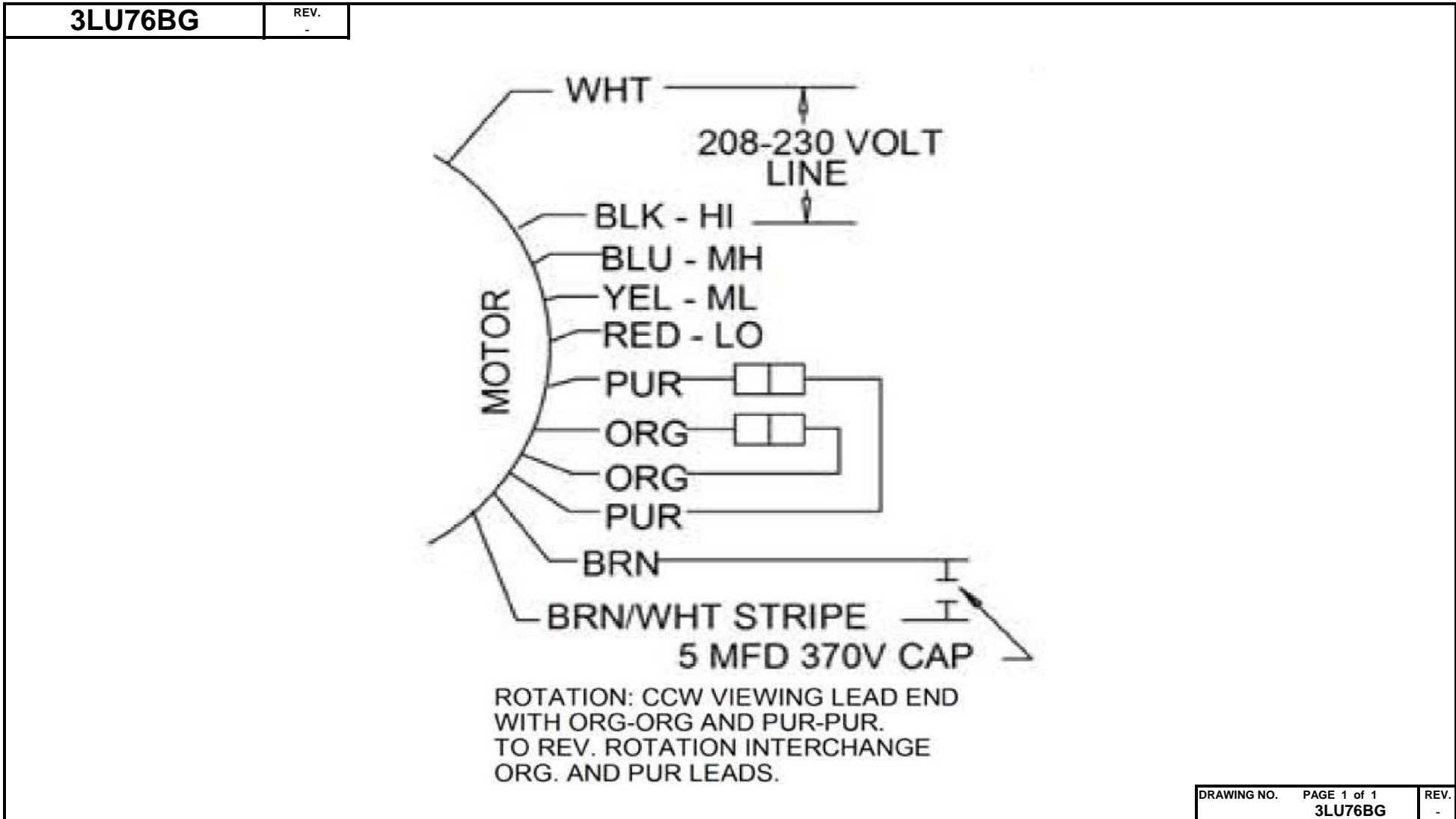
Model: K055KCW2338 3LU76BG
 Motor ID: 1
 Poles: 6
 Volts: 208-230
 Frequency: 60
 HP: 1/4
 Speed: 1075/4
 Phase: 1
 Protector: 7AM033A5

Test Conditions

Test Type: Run
 Test Number: 25
 Poles: 6
 Volts: 230
 Hz: 60
 Special Cond: M4 (LO)
 Speed Conn:
 TestBoard: Amtps Performance Fixture #4
 Run Cap: 5
 Start Cap: 0µfd
 Environment:
 Tested: 11/6/2002 9:10:08 AM
 Tested By: Sharp, Gerald
 Gear Ratio: 1:1
 Bearing Friction: -1.02 Oz-Ft
 Windage Torque: -0.70 Oz-Ft

Special Points	Vline (V)	Vaux (V)	Vcap (V)	Iline (A)	Imain (A)	Iaux (A)	Watts	RPM	Tq(Oz-ft)	HP	Eff (%)	PF (%)	Cap
	230.0	208.0	291.7	0.388	0.739	0.566	50.1	1182	0.000	0.000	0.0	56.1	5.1
	230.0	204.6	281.6	0.427	0.699	0.548	66.0	1171	1.865	0.026	29.4	67.2	5.2
	230.0	202.6	271.2	0.483	0.689	0.529	80.9	1161	3.480	0.048	44.3	72.8	5.2
	230.0	201.7	260.8	0.558	0.698	0.508	98.1	1148	5.138	0.070	53.4	76.4	5.2
	230.0	200.0	252.1	0.637	0.719	0.491	116.5	1135	6.744	0.091	58.4	79.6	5.2
	230.0	196.9	244.3	0.711	0.751	0.475	133.6	1122	8.245	0.110	61.5	81.7	5.2
	230.0	192.7	235.5	0.794	0.800	0.458	152.3	1106	9.815	0.129	63.3	83.4	5.2
	230.0	188.1	227.1	0.878	0.861	0.442	170.7	1090	11.105	0.144	63.0	84.5	5.2
1075 RPM	230.0	183.6	219.9	0.952	0.923	0.428	186.4	1075	12.242	0.157	62.7	85.1	5.2
	230.0	182.7	218.4	0.967	0.936	0.425	189.5	1072	12.383	0.158	62.2	85.2	5.2
	230.0	176.6	210.7	1.056	1.020	0.410	207.6	1052	13.390	0.168	60.2	85.5	5.2
	230.0	171.0	203.5	1.145	1.109	0.397	225.2	1031	14.190	0.174	57.7	85.6	5.2
	230.0	164.9	196.2	1.239	1.207	0.383	243.0	1008	14.968	0.180	55.2	85.3	5.2
	230.0	159.0	189.8	1.325	1.302	0.371	258.9	983	15.315	0.179	51.7	85.0	5.2
	230.0	152.9	184.0	1.413	1.401	0.361	274.4	956	15.731	0.179	48.7	84.4	5.2
BDT OZ-FT	230.0	148.1	179.7	1.481	1.479	0.353	285.9	935	15.817	0.176	45.9	83.9	5.2
	230.0	146.7	178.7	1.502	1.502	0.351	289.2	928	15.581	0.172	44.4	83.7	5.2
	230.0	140.4	174.1	1.588	1.602	0.343	303.1	897	15.637	0.167	41.1	83.0	5.2
	230.0	134.2	170.3	1.669	1.697	0.337	315.0	862	15.475	0.159	37.6	82.1	5.2
	230.0	128.2	167.3	1.744	1.788	0.331	325.9	827	14.917	0.147	33.6	81.2	5.3
	230.0	122.2	165.0	1.816	1.875	0.327	335.4	790	14.349	0.135	30.0	80.3	5.3
	230.0	116.5	163.4	1.883	1.956	0.324	343.7	748	13.641	0.121	26.4	79.4	5.3
	230.0	110.9	162.5	1.944	2.032	0.323	351.2	705	12.915	0.108	23.0	78.5	5.3
	230.0	105.6	162.0	2.000	2.103	0.322	357.0	660	12.114	0.095	19.9	77.6	5.3
	230.0	100.7	161.9	2.053	2.169	0.322	362.5	609	11.207	0.081	16.7	76.8	5.3
	230.0	95.9	162.2	2.100	2.229	0.322	366.3	558	10.175	0.068	13.8	75.8	5.3
	230.0	91.4	163.1	2.143	2.283	0.323	369.9	504	9.268	0.056	11.2	75.1	5.3
	230.0	87.2	164.3	2.176	2.329	0.325	372.2	446	8.688	0.046	9.3	74.4	5.3
	230.0	82.5	165.9	2.203	2.365	0.327	373.6	382	7.797	0.035	7.1	73.8	5.2
	230.0	78.0	168.4	2.225	2.397	0.332	376.3	320	7.314	0.028	5.5	73.5	5.2
	230.0	74.2	170.4	2.246	2.428	0.337	378.6	251	6.396	0.019	3.8	73.3	5.2
	230.0	70.0	172.9	2.266	2.456	0.342	380.8	177	5.770	0.012	2.4	73.1	5.3
	230.0	65.2	176.1	2.279	2.480	0.350	382.6	100	4.376	0.005	1.0	73.0	5.3





Dayton[®]

DIRECT DRIVE BLOWER MOTOR

Part No
3LU76BG



HP: 1/4

VOLTS: 208-230

AMPS: 1.8-1.7

RPM: 1075 / 4SPD

DUTY: CONT

ENCL: OAO **SF:** 1.0 **KVA CODE:**

THERMALLY PROTECTED: AUTO

MFG. NO. PROT. CODE: 7A000 AVG.F.L

MTR REF: K55HXKCW-2338

PH: 1

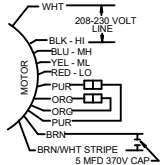
HZ: 60

FR: 48YZ

INS CL: B

AMB: 40°C

**Disconnect Power Before Making Any
Electrical Connections or Changes**



ROTATION: C.CW. LEAD END, REV.
TO REVERSE ROTATION INTERCHANGE
ORG AND PUR LEADS

Mfd for Dayton Electric Mfg. Co., Lake Forest, IL 60045 USA

Made in Mexico