



DRUM/BARREL PUMPS TT SERIES

Sealed, Medium Viscosity/Flow

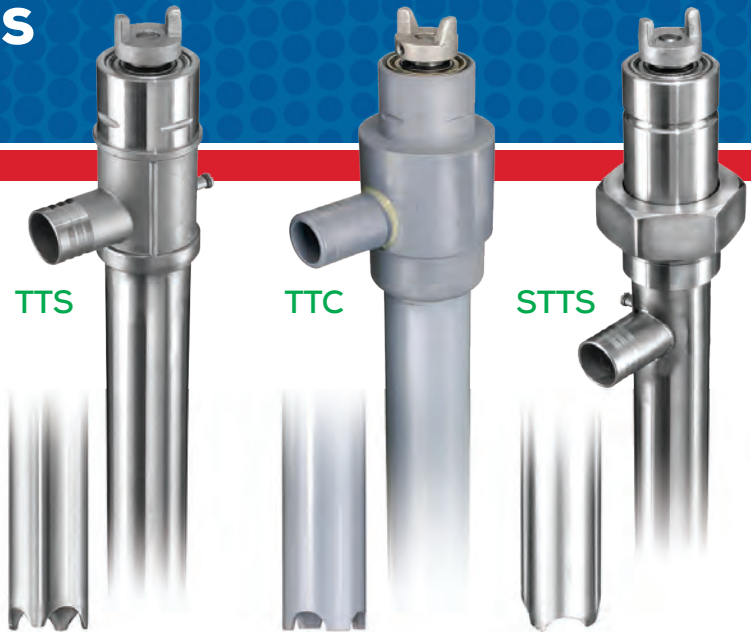
Sealed pump with PTFE screw-type lifting compressors. Ideal for liquids containing small particulate or solvents. Model STTS constructed of FDA-compliant materials.

- 316SS or CPVC tubes
- Interchangeable with motors
- Up to 2000 cP with M6X air motor



Applications:

Inks, paints solvents[†], sodium hypochlorite, food products, sanitary



CONSTRUCTION SPECIFICATIONS

Pump Model	Construction Materials		Tube Dia. in (cm)	Discharge Size & Type	Hose Size in (cm)	Max. Temp.*		Min. Temp.		Tube Lengths in (cm)
	Outer Tube	Internals				°F	°C	°F	°C	
TTS	316 Stainless Steel	316 Stainless Steel, PTFE	1-1/2 (3.8)	1" Hose Barb	1 (2.54)	150	66	-20	-29	27 (69) 40 (102) 48 (122)
TTC	CPVC	Alloy 625, PTFE	1-5/8 (4.1)			150	66	34	1.1	
STTS	316 Stainless Steel	316 Stainless Steel, PTFE	1-1/2 (3.8)			150	66	-10	-23	40 (102)

*When pumping flammables or combustibles, use explosion proof electric or air drive motors on stainless steel tubes with static protection kit. Note: FDA-compliant materials for some pump models are available. Please contact Finish Thompson for more information.

PERFORMANCE DATA

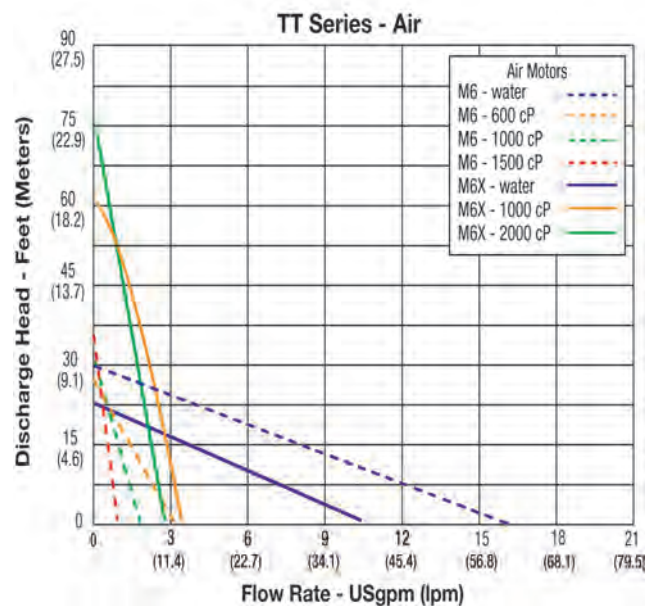
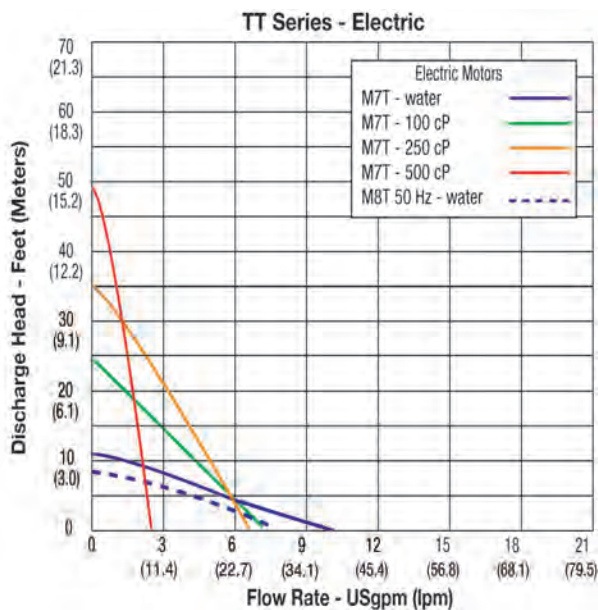
Maximum Flow*		Maximum Head*		Maximum Specific Gravity [†]	Maximum Viscosity	
Elec. gpm (lpm)	Air gpm (lpm)	Elec. ft (m)	Air ft (m)		Electric	Air
10 (38)	16 (61)	10 (3)	30 (9)	1.8	500 cP	2,000 cP

*All testing performed with water at 68°F (20°C). Actual performance can vary by +/- 10%. Actual performance will decrease with increased fluid viscosity and specific gravity.

VISCOSITY DATA

Viscosity (cP)	100	200	250	1,000	2,000
Max Flow gpm (lpm)	7 (26)	6 (23)	3 (11)	4 (15)	3 (11)
Max Head feet (meter)	25 (8)	35 (11)	48 (15)	60 (18)	28 (9)

Note: M7T/M8T motor: 100-500 cP M6X: 500-2,000 cP



DRUM/BARREL PUMPS

MOTOR DATA



TEFC
(M7T, M8T)



Exp-Proof
(M7X)



Air
(M6, M6X)

Model	Description	Certification	Electrical Requirements	Input	Output	RPM	Maximum Viscosity cP
				W	W		

TEFC (Totally Enclosed Fan Cooled), IP54 Motors

M7T	Continuous duty. A 12 ft. (3.5 m) cord with NEMA 5-15 Type B plug and circuit breaker with manual reset	CSA	115VAC/50-60 Hz	500	180	2850/3450	500
M8T	Continuous duty. 12 ft. (3.5 m) cord.	CE	230VAC/50-60 Hz	500	180	2850/3450	500

Explosion Proof Motors

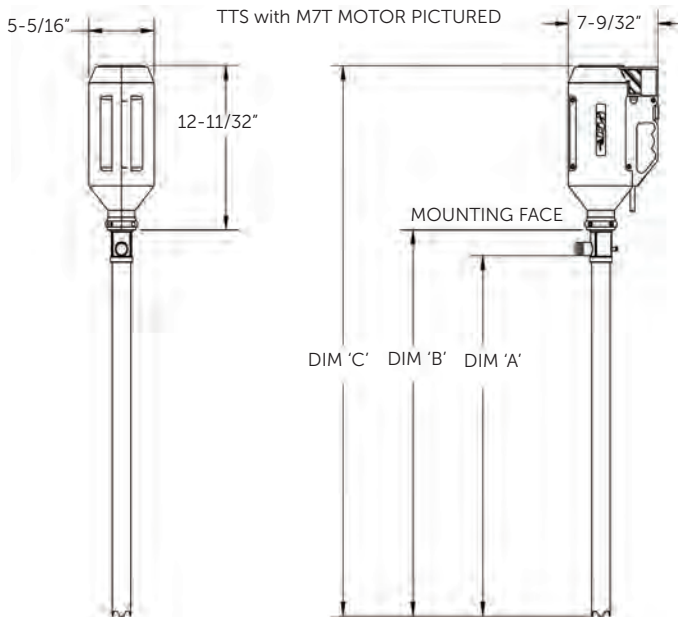
M7X	Suitable for use in hazardous areas, ideal for flammable liquids. TEFC housing. 12ft. (3.5m) cord, internal circuit breaker. Continuous duty.	CSA	115VAC/50-60 Hz	500	180	2850/3450	400
-----	---	-----	-----------------	-----	-----	-----------	-----

Air Motors[†]

M6	Lightweight. Operates from customer-supplied compressed air source. Variable speed. Muffler and control valve.	CE	80-100 psi @ 15-32 cfm	-	400	300-9,000	1500
M6X		CE	80-100 psi @ 15-32 cfm	-	600	300-6,000	2000

*An air motor is a non-electrical device meaning possibility of explosion from igniting flammables/combustibles is reduced. Air motor performance will depend upon user's system setup.
†Motor suitable for hazardous areas that do not require independent certification.

DIMENSIONS



MODEL	DIM A (in)	DIM B (in)	DIM C (in)	DIM A (mm)	DIM B (mm)	DIM C (mm)
TTS/TTC-27	27-1/16	29	41-3/8	686.9	736.0	1049.6
TTS/TTC-40	40-1/16	42	44-3/8	1017.1	1066.2	1125.8
TTS/TTC-48	48-1/16	50	62-3/8	1220.3	1269.4	1583.0
STTS-40	40	44-1/5	56-7/8	1016.0	1130.3	1443.8

ACCESSORIES

Nozzles



Static Protection Kit



Drum Adapters



Discharge Hoses



Use the handy online Pump Selector at www.finishthompson.com for help choosing a pump.



finishthompson.com

FINISH THOMPSON INC. - HEADQUARTERS

921 Greengarden Road | Erie, PA 16501
800.934.9384 | ph 814.455.4478 | fx 814.455.8518
email fti@finishthompson.com

FINISH THOMPSON INC. - EUROPE CENTER

Otto-Hahn-Strasse 16 | Maintal, D-63477 Germany
49 (0)6181-90878-0 | fx 49 (0)6181-90878-18
email fti@finishthompson.com