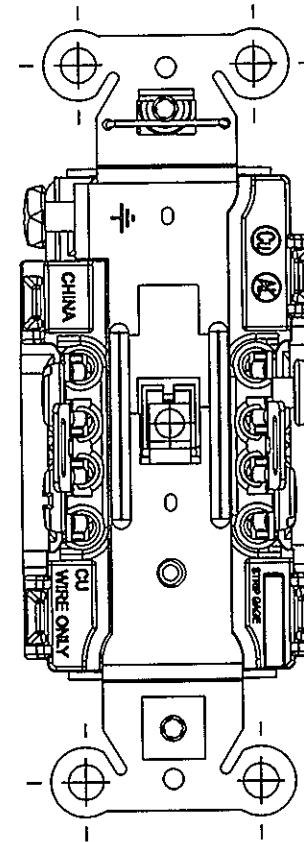
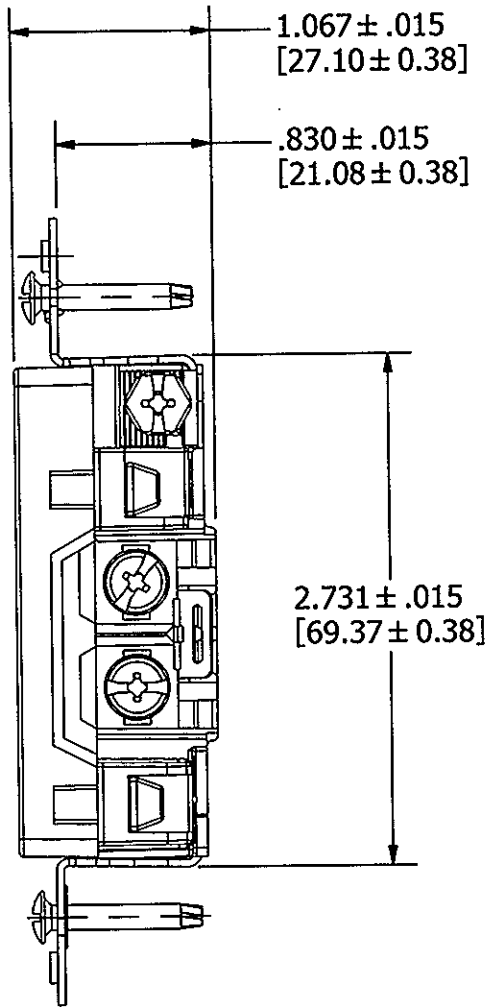
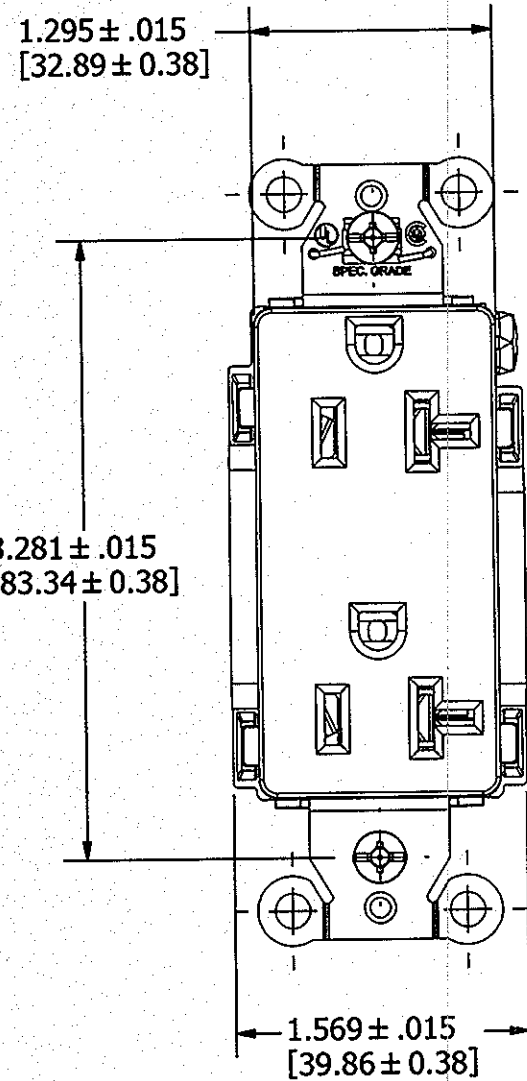
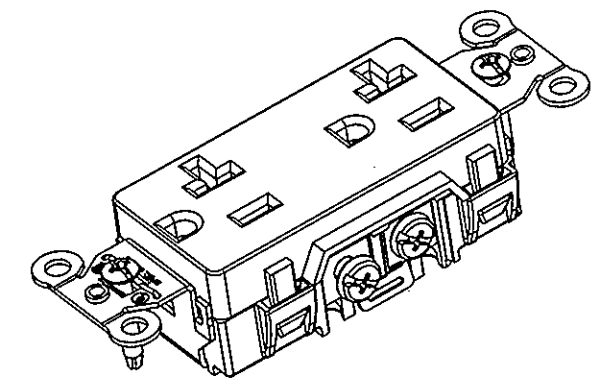


M-10528 4



LIST OF PARTS		
DESCRIPTION	MATERIAL	FINISH
TOP	NYLON 6/6	SPI A-3
BASE	NYLON 6/6	SPI A-3
LINE CONTACTS	BRASS	
GROUND CONTACTS	BRASS	
CONTACT SCREW (NEU)	STEEL	NI PLT
CONTACT SCREW (HOT)	STEEL	
BRIDGE	.04 GALV STL	
GROUND SCREW	STEEL	GREEN
STAPLE	S.S.	
WASHER	PVC FILM	BLACK
MOUNTING SCREW	STEEL	ZINC PLATE



CATALOG NO: DR20  
(NOT SHOWN TO SCALE)

4	REDRAWN WITH EMBEDDED CAD MODEL WITH NO CHANGES TO PART GEOMETRY. PER DCN 21895 SPN	DJP	2/5/16
REV	DESCRIPTION	APP	DATE

THE DESIGN AND DIMENSIONS OF THE PRODUCT SHOWN ON THIS DRAWING ARE SUBJECT TO CHANGE WITHOUT NOTICE

TITLE  
HUBBELL  
20A 125V, 2P 3W, STYLELINE DUPLEX RECEPT. BACK & SIDE WIRE

TOLERANCES UNLESS OTHERWISE SPECIFIED		WIRING DEVICE-KELLEMS HUBBELL INCORPORATED SHELTON, CT	
.XX = ± .01	.XXX = ± .005	DR. BY WRV	APP. BY
ANGLES = ± 2'		TR. BY	SCALE 1:1
		CHK. BY	DATE 03-07

- NOTES:
1. DIMENSIONS ARE IN INCHES [mm].
  2. ALL DEVICES UL LISTED AND CSA CERTIFIED.
  3. TERMINALS ACCOMMODATE #14-#10 AWG COPPER WIRE ONLY.

HUBBELL CATALOG NUMBERS

BROWN	IVORY	GRAY	WHITE	BLACK	ALMOND	BLUE	LIGHT ALMOND	RED	ORANGE	OFFICE WHITE	GREEN
DR20	DR20I	DR20GRY	DR20WHI	DR20BLK	DR20AL	DR20BL	DR20LA	DR20R	----	DR20OW	DR20GN

DIMENSION SHEET FOR CAT. NO. M-10528  
 SEE TABLE  
 REPAIRABLE   
 NON-REPAIRABLE   
**B**  
 M-10528  
**4**