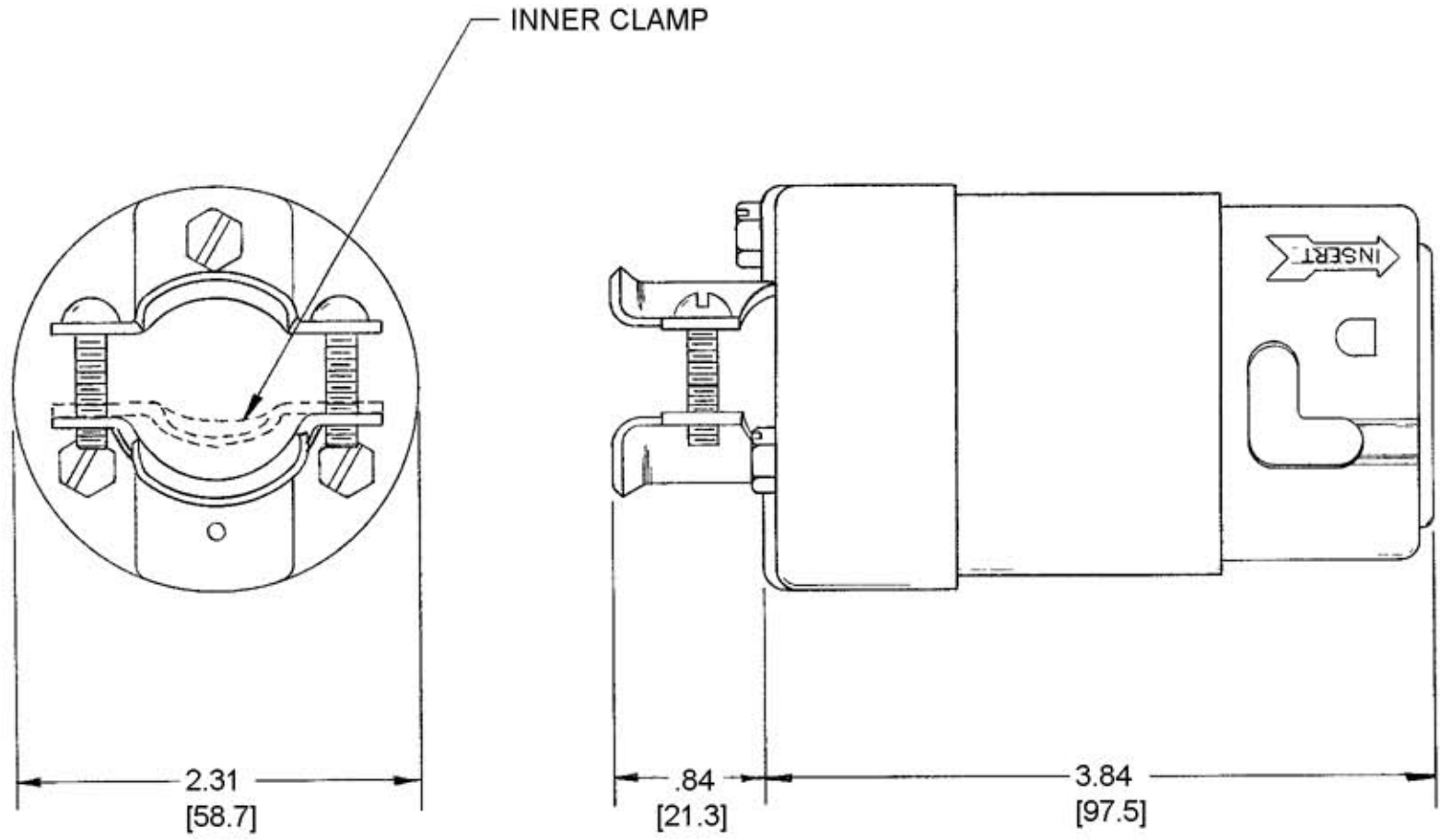


M-4541 2



NOTES:
 1. WIRE CAPACITY: #8/3 AWG TO #6/3 AWG COPPER WIRE ONLY.
 2. CORD RANGE: Ø .83 TO 1.1, TYPE STOW OR STOW-A.
 [21.1] [27.9]
 3. ALL DIMENSIONS TO BE INCHES.
 [mm]

LIST OF PARTS		
DESCRIPTION	MATERIAL	FINISH
INSULATORS	PHENOLIC	FUNGUS PR.
COVER	.078 BRASS	NICKEL PL.
UPPER COVER	.062 BRASS	NICKEL PL.
CORD RETAINER COVER	.062 BRASS	NICKEL PL.
CORD CLAMPS	.062 BRASS	NICKEL PL.
CORD RETAINER	RUBBER	
BIND. PLATES	.100 BRASS	NICKEL PL.
CONT. SPRINGS	.040 BE. CU.	NICKEL PL.
PRESSURE SCRS.	STN. STEEL	
#10-32 HEX. HD. SCRS.	BRASS	NICKEL PL.
#8-32 RD. HD. SCRS.	BRASS	NICKEL PL.
3 TERMINALS	.070 COPPER	WHITE BLACK GREEN

DIMENSION SHEET FOR CAT. NO. HBL63CM60
 REPAIRABLE NON-REPAIRABLE

SYM	REVISIONS	APP	DATE
2	ADDED NOTES 1 THRU 3; REMOVED "CORD CLAMP" CALLOUT; "HBL63CM60" WAS "63CM60"; CONVERTED ALL DIMS. TO DECIMAL & METRIC; REVISED TITLE PER DCN 11902 RCM	JPP	1/28/05
1	PARTS LIST REVISED	JM	9-26-75

B
 M-4541

TITLE
 50A 125V, 2 POLE, 3 WIRE
 TWIST-LOCK CONNECTOR

TOLERANCES UNLESS OTHERWISE SPECIFIED		HARVEY HUBBELL, INC.	
FRACTIONS ± 1/64		BRIDGEPORT, CONN.	
DECIMALS ± .005		DR. BY <u>RAR</u>	APP. BY _____
ANGLES ± 2°		TR. BY _____	SCALE <u>FULL</u>
		CHK'D. BY _____	DATE <u>7-26-66</u>