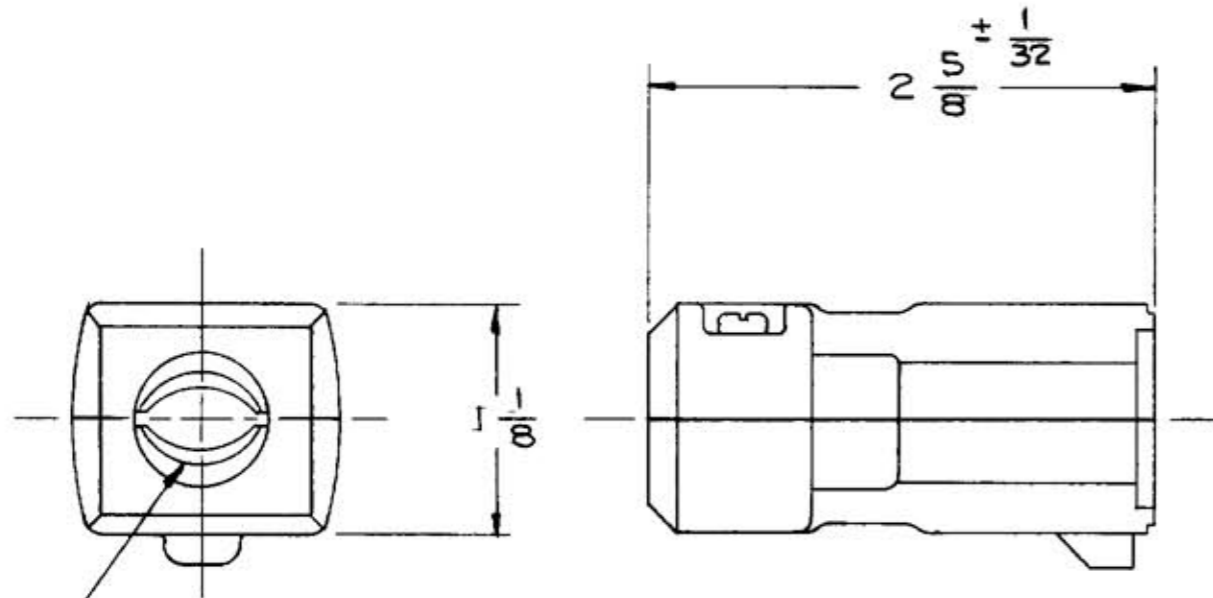
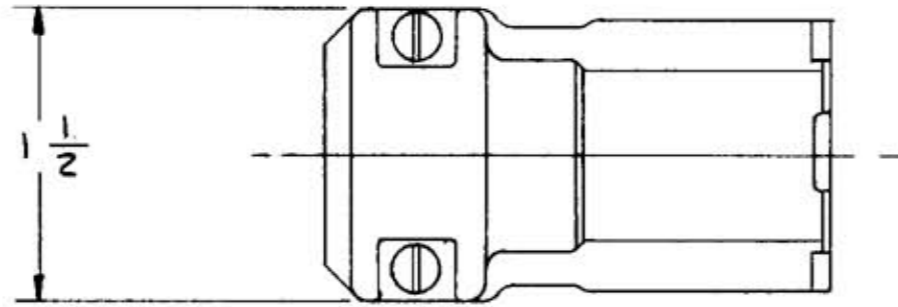


M-6197



CORD CLAMPS TAKE CORDS
FROM 29/64 TO 29/32 DIA.

LIST OF PARTS

DESCRIPTION	MATERIAL	FINISH
HOUSING	NYLON	YELLOW
CONTACT BLADES	BRASS	
WIRE CLAMP NUT	C.R.STEEL	NICKEL
BINDING SCREW	STEEL	COPPER
GR. BINDING SCREW	STEEL	GREEN
CORD CLAMP SCREW	STEEL	ZINC.

DIMENSION SHEET FOR CAT. NO. 5469-VY
 REPAIRABLE NON-REPAIRABLE B M-6197

SYM	REVISIONS	APP	DATE

TITLE
 20A. 250V. 3 WIRE GROUNDING
 STRAIGHT BLADE VALISE
 CONNECTOR

TOLERANCES UNLESS
 OTHERWISE SPECIFIED
 FRACTIONS ± 1/64
 DECIMALS ± .005
 ANGLES ± 2°

HARVEY HUBBELL, INC.
 BRIDGEPORT, CONN.
 DR. BY P.M. APP. BY _____
 TR. BY _____ SCALE Full
 CHK'D. BY _____ DATE 3-24-80