

IEC Pin and Sleeve
Accessories
Back Box

HUBBELL

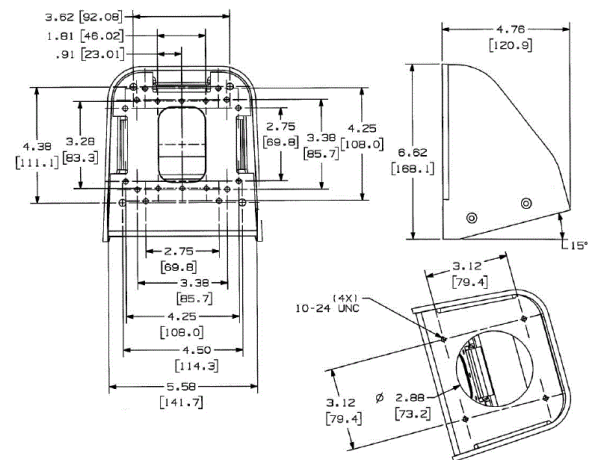
Ordering Information

Description	Device Color	UPC	Catalog Number
Adapts 16, 20, 30 and 32A Watertight IEC Pin and Sleeve devices	Gray	78358588221	AA2030PS



Specifications

Accessory Item	Angle Adapter
----------------	---------------



Accessories

Receptacle/Inlet Accommodation 16A, 20A, 30A & 32A IEC Pin & Sleeve
Receptacle Accommodation Watertight Safety-Shroud®

Resources

Customer Use Drawing
eCatalog

Dimensions in Inches (mm)

Hubbell Wiring Device-Kellems • Hubbell Incorporated (Delaware) • 40 Waterview Drive • Shelton, CT 06484

Phone (800) 288-6000 • Fax (800) 255-1031 • Specifications subject to change without notice.

