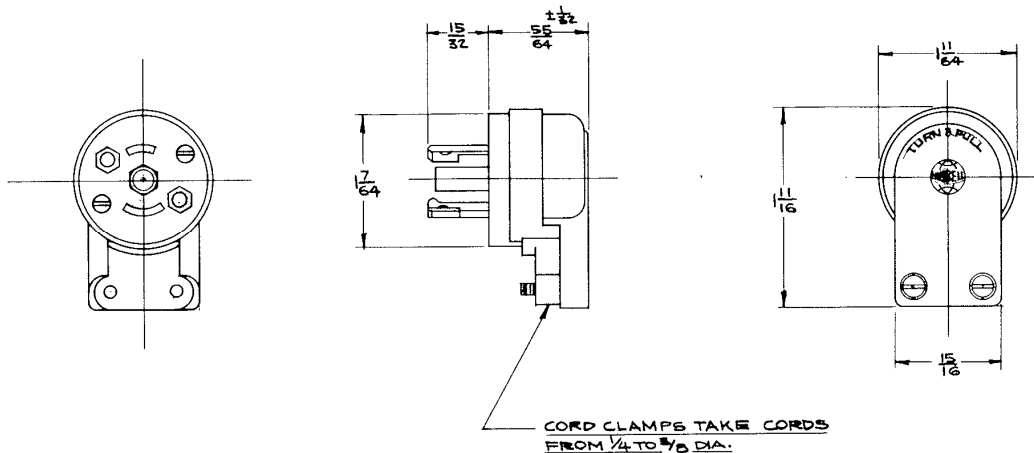


M-4559

1



LIST OF PARTS

DESCRIPTION	MATERIAL	FINISH
BODY	POLYESTER	BLACK
ANGLE CORD BASE	NYLON	BLACK
CORD CLAMP	NYLON	BLACK
GR. CONT. SLEEVE	BRASS	
CONT. BLADES	BRASS	1 WHITE
BINDING SCREWS	BRASS	1 WHITE
HEX. HR BIND. SCREW	BRASS	GREEN
INSULATOR	OSI FIBRE	RED

DIMENSION SHEET FOR CAT. NO. HBL7570

REPAIRABLE  NON-REPAIRABLE

1	PARTS LIST: BODY MATERIAL POLYESTER WAS BAKELITE; CAT. NO. HBL7570 WAS 7570 PER DGN 22625 RM	DJP	10/3/17
SYM	REVISIONS	APP	DATE

B

M-4559

**TITLE**  
 15A. 125V. - 2- POLE 3- WIRE GROUNDING  
 MIDGET TWIST-LOCK CAP WITH NYLON  
 ANGLE CORD GRIPS.

TOLERANCES UNLESS OTHERWISE SPECIFIED  
 FRACTIONS ± 1/64  
 DECIMALS ± .005  
 ANGLES ± 2°

**HARVEY HUBBELL, INC.**  
 SHELTON CONN.  
 DR. BY D.S.R. APP. BY \_\_\_\_\_  
 TR. BY \_\_\_\_\_ SCALE FULL  
 CHK'D. BY \_\_\_\_\_ DATE 10-6-66

CODE 74545

1