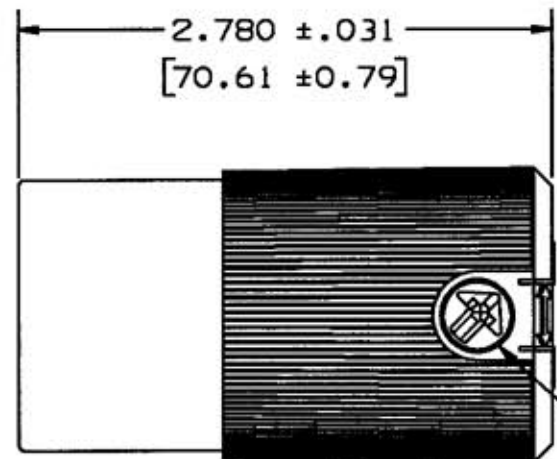


M-7286 3

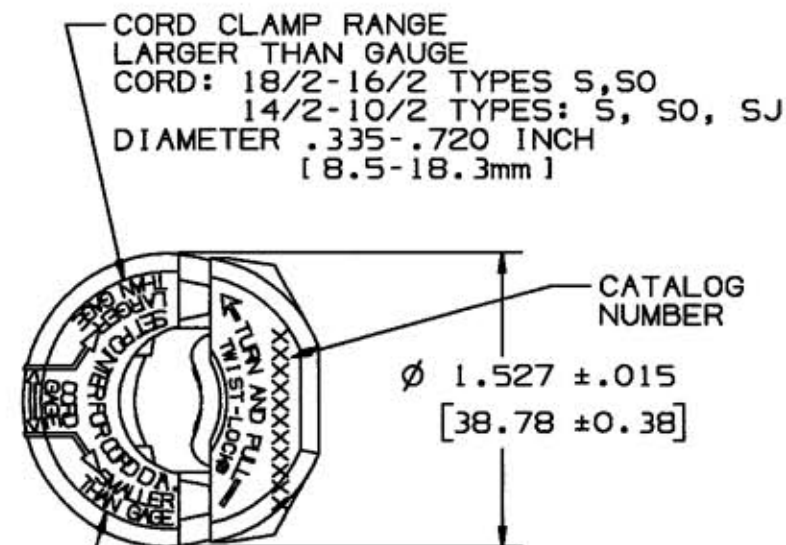
ALL SCREWS ARE COMBINATION PHILLIPS/SLOTTED/ROBERTSON HEAD

AGENCY LISTING PER TABLE

MOLDED IN RATING HOT STAMPED WITH IEC COLOR CODED BY VOLTAGE



INTEGRAL VARISIZE® INSERT



CORD CLAMP RANGE LARGER THAN GAUGE
 CORD: 18/2-16/2 TYPES S, SO
 14/2-10/2 TYPES: S, SO, SJ
 DIAMETER .335-.720 INCH [8.5-18.3mm]

CORD CLAMP RANGE SMALLER THAN GAUGE
 CORD: 18/2-16/2 TYPES: SV, SJ
 DIAMETER: .220-.360 INCH [5.6-9.0mm]

CATALOG NUMBER

CANADIAN CAT. NO. (BLACK COVER & INSERT)	CAT. NO. (BLACK COVER & INSERT)	CONFIGURATION	RATING	IEC RATING COLOR	U.L.	C.S.A.
	HBL7506C	NEMA L1-15R	15A. 125V.	YELLOW	YES	YES
HBL7101CCN	HBL7101C	NEMA L2-20R	20A. 250V.	BLUE	YES	YES

DESCRIPTION	MATERIAL	FINISH
BODY	NYLON	NATURAL
RETAINER	POLYCARBONATE	CLEAR
COVER	NYLON	
INSERT	NYLON	
CORD CLAMP	NYLON	NATURAL
WIRE CLAMP	.062 CRS	NICKEL PL
BINDING PLATE	.031	
CONTACT SPRING	BRONZE	
INNER SPRING	.031	BRONZE
BINDING SCREW	BRASS	*
CORD CLAMP TRI-DRIVE SCREWS	STEEL	ZINC PL
TRI-DRIVE ASSY SCREWS	STEEL	ZINC PL

*WHITE FINISH ON NEUTRAL PARTS

REV	DESCRIPTION	APP	DATE
3	REVISED VIEWS & CALLOUTS OF SCREWS TO TRI-DRIVE; INACTIVATED "CANADIAN CAT. NO." COLUMN; "TRI-DRIVE" WAS "COMBO." "TRI-DRIVE" WAS "COMBINATION" IN "LIST OF PARTS" PER DCN #11421 RCM	DVB	1/27/04
2	IN LIST OF PARTS, "POLYCARBONATE WAS "LEXAN"; PER DCN #8996. JMN	CJC	2/18/02
1	"X" REMOVED PER DCN #3255 JMN	ZIMM	2/13/95
SYM	REVISIONS	APP	DATE

THE DESIGN AND DIMENSIONS OF THE PRODUCT SHOWN ON THIS DRAWING ARE SUBJECT TO CHANGE WITHOUT NOTICE

TITLE INSULGRIP® 2 POLE 2 WIRE NON-GROUNDING TWIST-LOCK® CONNECTORS

TOLERANCES UNLESS OTHERWISE SPECIFIED	WIRING DEVICE-KELLEMS HUBBELL INCORPORATED BRIDGEPORT, CT	
FRACTIONS ± 1/64	DR. BY JMN	APP. BY ZIMM
DECIMALS ± .005	TR. BY	SCALE 1/1
ANGLES ± 2°	CHK'D BY ZIMM	DATE 2/13/95

DIMENSION SHEET FOR CAT. NO. M-7286
 REPAIRABLE NON-REPAIRABLE B
 SEE TABLE
 3