

Straight Blade Devices

15A, 125V, 2 Pole, 3 Wire Grounding

HBL[®] Extra Heavy Duty MAX Compact Duplex Receptacle

HUBBELL

Features

- Slender/compact design
- Brass Mounting Strap
- Triple wipe contacts

Ordering Information

Description	Device Color	UPC Number	Catalog Number
Back and side wired	White	783585434940	HBL5252W

Listings

UL Listed to UL498 File No. E2186
Certified to CSA 22.2, No. 42 File 285
Fed. Spec. W-C596G
NEMA[®] WD-6 Compliant

Specifications

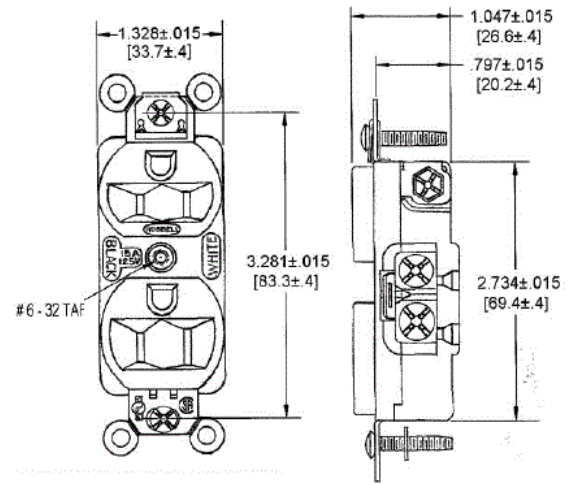
Face	Nylon
Base	RTP
Contacts	Brass
Wire Clamp	Plated brass
Terminal Screws	Brass
Mounting Strap	.031" (.8) Brass
Automatic Self-grounding Clip	Stainless steel
Mounting Screws	Steel-Zinc Plated

Performance

Electrical	
Current Interrupting	Certified for current interrupting at full rated current
Dielectric Voltage	Withstands 2,000V minimum
Mechanical	
Product Identification	Ratings are a permanent part of the device
Terminal Accommodation	#14-#10 AWG copper stranded or solid conductor only
Terminal Identification	Terminals identified in accordance with UL 498 and CSA
Environmental	
Flammability	UL 94 V-0
Operating Temperatures	Maximum continuous 75°C; minimum -40°C (w/o impact)



15A 125V AC
NEMA 5-15R
UL CSA
0.5 HP



Complementary Products

Wallplate or Weatherproof Cover

Duplex Opening

Online Resources

Customer Sales Drawings
eCatalog
Installation Instructions

Dimensions in Inches (mm)

Hubbell Wiring Device-Kellems • Hubbell Incorporated (Delaware) • 40 Waterview Drive • Shelton, CT 06484

Phone (800) 288-6000 • Fax (800) 255-1031 • Specifications subject to change without notice.

