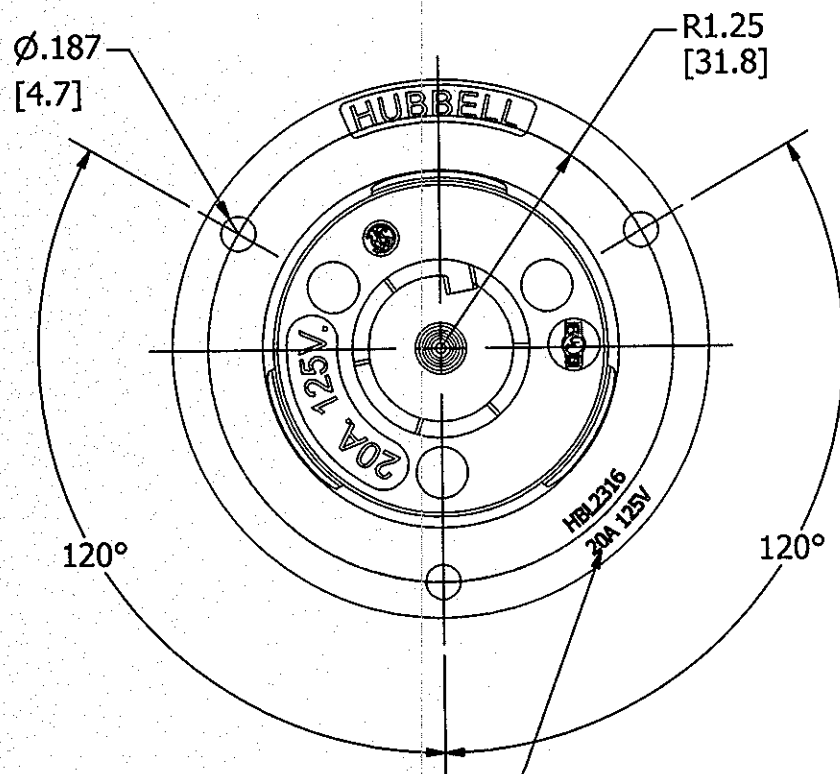


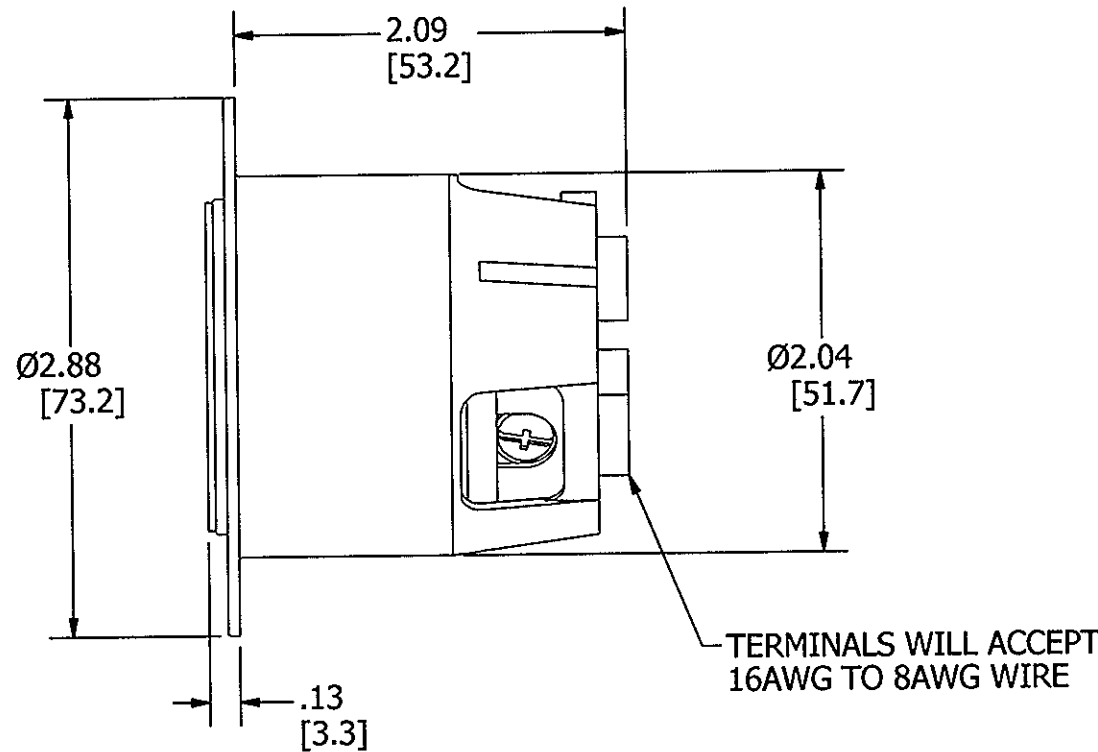
M-7909

6

NEMA NO.	RATING	POLE/WIRE	CATALOG NO.	CONFIGURATION	VOLTAGE COLOR CODE
L5-20R	125V	2P/3W GROUNDING	HBL2316		YELLOW
L6-20R	250V	2P/3W GROUNDING	HBL2326		BLUE
L7-20R	277VAC	2P/3W GROUNDING	HBL2336		GRAY
L8-20R	480VAC	2P/3W GROUNDING	HBL2346		RED
L9-20R	600VAC	2P/3W GROUNDING	HBL2356		BLACK
L24-20R	347VAC	2P/3W GROUNDING	HBL3726		BLACK



CAT. NO. & RATING
PRINTED ON FLANGE
COLOR CODE BY
VOLTAGE

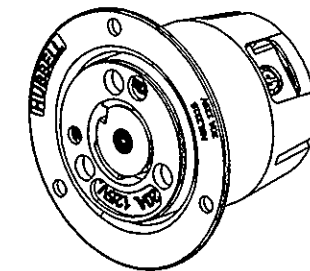


NOTES:

1. DIMENSIONS ARE IN INCHES [mm].
2. ALL SCREWS ARE COMBINATION PHILLIPS/SLOTTED/ROBERTSON HEAD.
3. * WHITE FINISH ON NEUTRAL CONTACT WHEN USED.

LIST OF PARTS

DESCRIPTION	MATERIAL	FINISH
CASING	NYLON	NATURAL
CONTACT BODY	NYLON	NATURAL
RETAINER	POLYCARBONATE	CLEAR
CONTACTS	.031 BRASS	
WIRE CLAMP	.080 CRS	NICKEL PLATE
#10 TERMINAL SCREWS	BRASS	*
#10 GROUND SCREW	BRASS	GREEN
ASSEMBLY FASTENERS	STEEL	ZINC PLATE
#8 MOUNTING SCREWS	BRASS	NICKEL PLATE



**CATALOG NO. HBL2316
(NOT SHOWN TO SCALE)**

6	REDRAWN WITH EMBEDDED CAD MODEL WITH NO CHANGES TO PART GEOMETRY. PER DCN 21895 SPN	DJP	2/5/16
REV	DESCRIPTION	APP	DATE

THE DESIGN AND DIMENSIONS OF THE PRODUCT SHOWN ON THIS DRAWING ARE SUBJECT TO CHANGE WITHOUT NOTICE

TITLE
20A 3-WIRE
TWIST-LOCK
FLANGE RECEPTACLE

TOLERANCES UNLESS OTHERWISE SPECIFIED	WIRING DEVICE-KELLEMS HUBBELL INCORPORATED SHELTON, CT			
.XX = ± .01	DR. BY	B.C.	APP. BY	DJP
.XXX = ± .005	TR. BY		SCALE	1:1
ANGLES = ± 2'	CHK. BY	DJP	DATE	2/12/98

DIMENSION SHEET FOR CAT. NO. SEE TABLE

REPAIRABLE NON-REPAIRABLE

B

M-7909

6