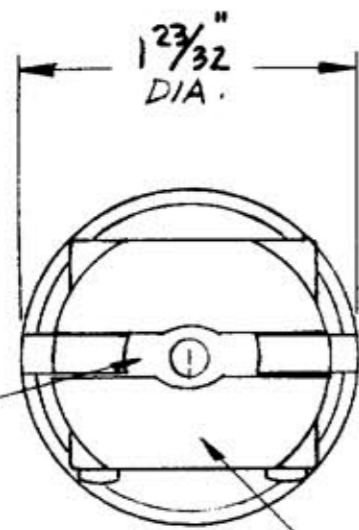
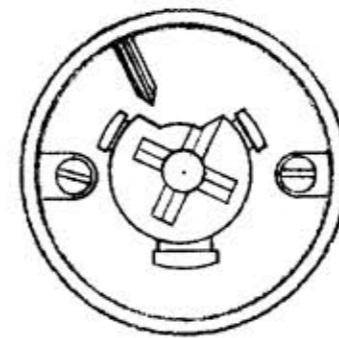
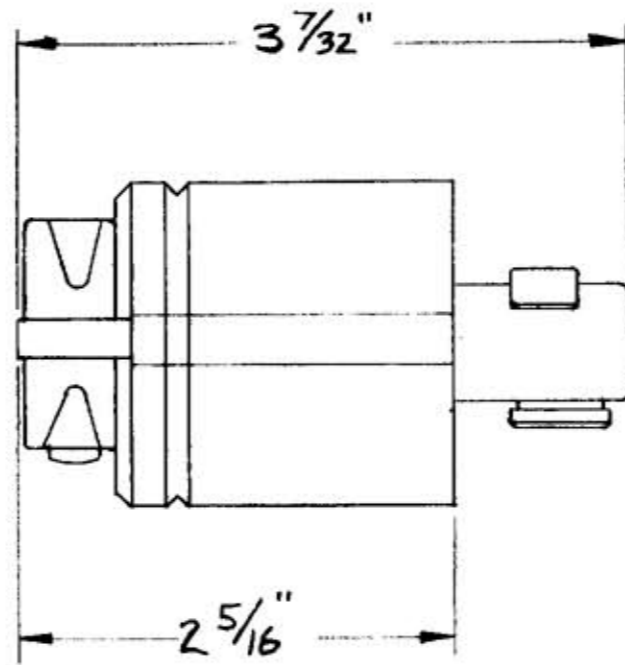


M-6915 1



DUST SEAL

CORD CLAMP RANGE FROM .30 TO .66



CAT. NO.	RATING	WIRE	UL	CSA	CONFIGURATION
23005GB	20A 125V 10A 250VDC 480VAC	2P-3W GROUNDING	NO	NO	
* 23005B	20A 125V 10A 250VDC 480VAC	3P-3W NON-GROUNDING	YES	NO	
23014HGB	20A 125VAC	2P-3W GROUNDING	YES	YES	
23035B	20A 125V	2P-3W GROUNDING	YES	YES	

* REPLACEMENT ONLY

LIST OF PARTS		
DESCRIPTION	MATERIAL	FINISH
HOUSING	NYLON	BLACK
INTERIOR ASSEMBLY	THERMOSET	BLACK
PLUG SCREWS	STAIN. ST.	
CORD CLAMPS	NYLON	NATURAL
CORD CLAMP SCRS.	STEEL	ZINC PLATE

DIMENSION SHEET FOR CAT. NO. SEE CHART

REPAIRABLE NON-REPAIRABLE

SYM	REVISIONS	APP	DATE
2	CHANGED CSA TO NO FOR CAT. NO. 23005B ALL ZIMM		9-11-91
1	X-REMOVED LAST X-REVISION NO. WAS X-0 ALL ZIMM		8-16-90

B

THE DESIGN AND DIMENSIONS OF THE PRODUCT SHOWN ON THIS DRAWING ARE SUBJECT TO CHANGE WITHOUT NOTICE.

M-6915

PROJECT 881-1

TITLE
20 AMP HUBBELLOCK PLUG

TOLERANCES UNLESS OTHERWISE SPECIFIED		WIRING DEVICE DIVISION HARVEY HUBBELL, INC. BRIDGEPORT, CONN.	
FRACTIONS ± 1/64	DR. BY <u>AJL</u>	APP. BY	
DECIMALS ± .005	TR. BY	SCALE <u>FULL</u>	
ANGLES ± 2°	CHK'D. BY	DATE <u>8-16-90</u>	