

Straight Blade Devices
20A, 125V, 2 Pole, 3 Wire Grounding
Elastogrip® Connector Bodies

HUBBELL

Features

- Thermoplastic elastomer housing
- Dust and moisture seal around cord

Ordering Information

| Description | Cord Diameter | UPC | Catalog Number |
|------------------------------|-----------------------|--------------|----------------|
| Yellow elastomer, dust tight | .300"-.655"(7.6-16.6) | 783585013350 | HBL1533 |



Listings

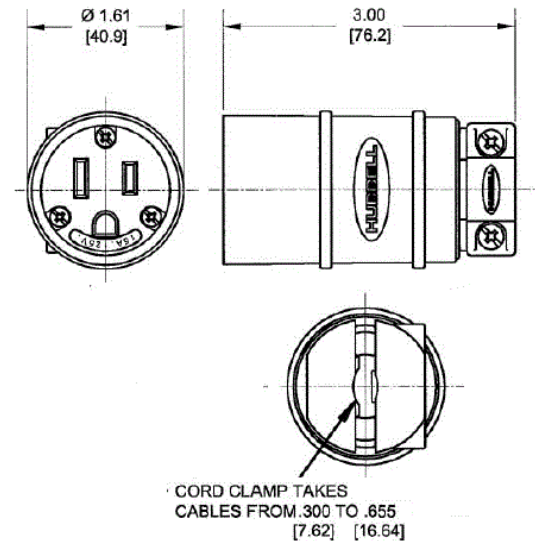
UL Listed to UL498 File E1706
CSA Certified to C22.2 No. 42 File 280C
NEMA® WD-6 Compliant

Specifications

| | |
|-------------------|------------------------------|
| Housing | Thermoplastic Elastomer |
| Contact Holder | Nylon |
| Terminal Retainer | Clear Polycarbonate |
| Contacts | .040 in. (1.0) Brass |
| Terminal Screws | #8-32 Brass , multiple drive |
| Terminal Clamp | Nickel plated steel |
| Assembly Screws | Plated steel |

Performance

| | |
|-------------------------|--|
| Electrical | |
| Current Interrupting | Certified for current interrupting at full rated current |
| Dielectric Voltage | Withstands 2,000V minimum |
| Mechanical | |
| Product Identification | Ratings are a permanent part of the device |
| Terminal Accommodation | #18-#12 AWG. Stranded copper wire only. |
| Terminal Identification | Terminals identified in accordance with UL 498 and CSA |
| Environmental | |
| Flammability | UL 94 HB or better |
| IP Suitability | IP20 |
| Operating Temperatures | Maximum continuous 75°C; minimum -40°C (w/o impact) |



Resources

Customer Use Drawing
eCatalog

Dimensions in Inches (mm)

Hubbell Wiring Device-Kellems • Hubbell Incorporated (Delaware) • 40 Waterview Drive • Shelton, CT 06484

Phone (800) 288-6000 • Fax (800) 255-1031 • Specifications subject to change without notice.

