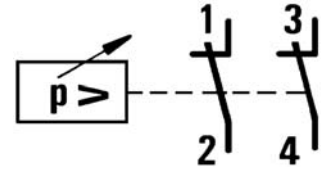




U imp 6 kV Ie 20 A Iq 3 kA

Max. zul. Motorleistung / Max. **Motor Performance** / Max. Potencia admisible del Motor / Puissance max. du Moteur / Pot. max. ammissibile dei motori



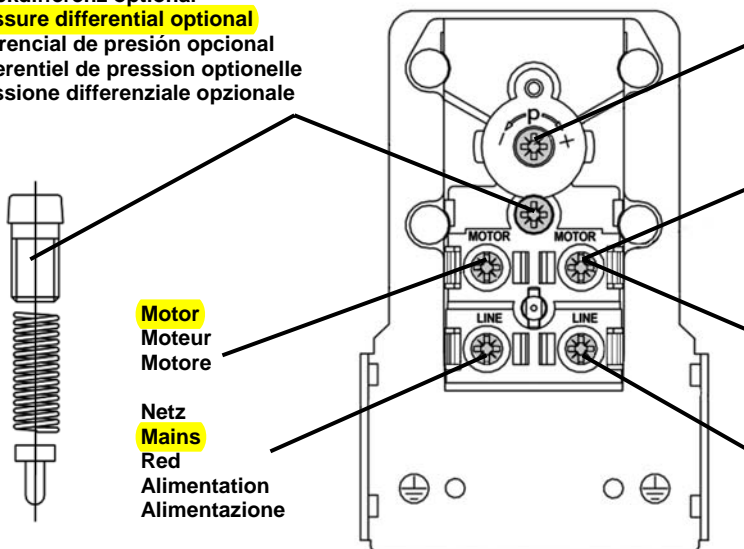
	EN 60947 – 4 - 1
50.. ..60 Hz	1~
120 V AC3	2 kW
250 V AC3	4 kW

	UL 508 / CSA 22.2 / No, 14	
VAC	FLA	LRA
120 V / 50 Hz	26	156
240 V / 60 Hz	26	156

DRAUFSICHT / TOP VIEW / VISTA SUPERIOR / VUE SUPERIEURE / VISTA DALL'ALTO
SCHALTBILD / **WIRING DIAGRAM / ESQUEMA DE CONEXION /**
SCHEMA DE RACCORDAMENTO / SCHEMA ELETTRICO

Druckdifferenz optional
Pressure differential optional

Diferencial de presión opcional
 Différentiel de pression optionelle
 Pressione differenziale opzionale



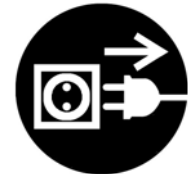
Einschaltdruck
Cut-in pressure

Presión de disparo inferior
 Pression de d'enclenchement
 Pressione di attacco

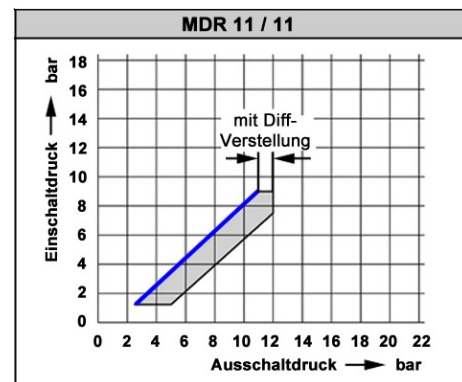
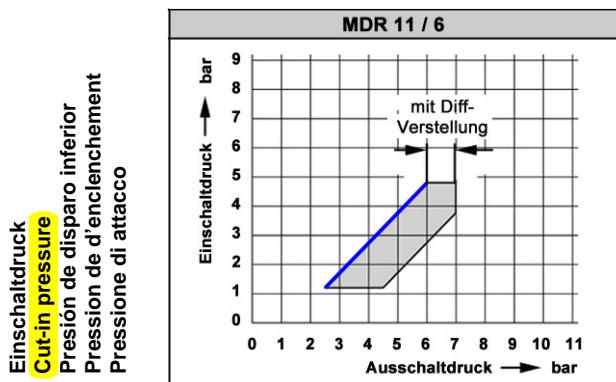
1.8 Nm
 Drehmoment
Tightening torque
 Par de giro
 Couple
 Momento torcente

Motor
 Moteur
 Motore

Netz
Mains
 Red
 Alimentation
 Alimentazione



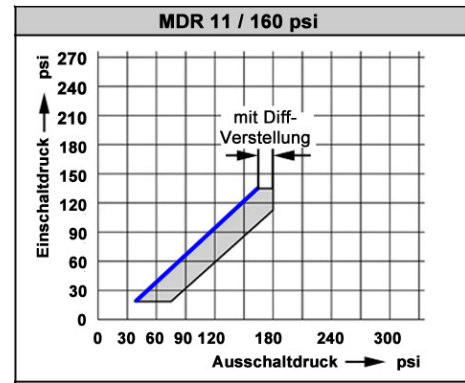
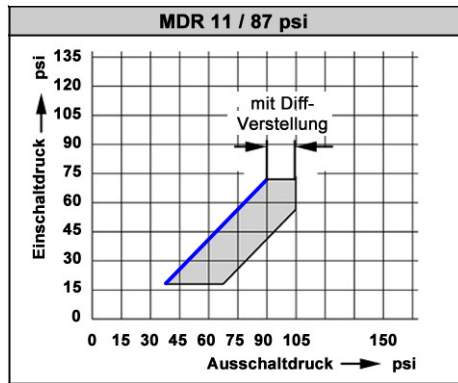
DRUCKDIAGRAMME / **PRESSURE DIAGRAMS / DIAGRAMAS DE REGULACION /**
DIAGRAMMES DE REGLAGE / DIAGRAMMI TARATURE



Einschaltdruck
Cut-in pressure
 Presión de disparo inferior
 Pression de d'enclenchement
 Pressione di attacco

Ausschaltdruck po (bar)
Cut-out pressure
 Presión de disparo superior
 Pression déclenchement
 Pressione di distacco

Einschaltdruck
Cut-in pressure
 Presión de disparo inferior
 Pression de d'enclenchement
 Pressione di attacco



Ausschaltdruck po (psi)
Cut-out pressure
 Presión de disparo superior
 Pression déclenchement
 Pressione di distacco

1 bar = 14,5 psi
 10 psi = ca. 0,7 bar

Einbau und Anschluß nur durch Fachkraft; nach Anbringung von Zubehör Funktionsüberprüfung durch Elektrofachkraft erforderlich

Installation and assembly of electrical equipment shall be carried out by qualified personnel only

Instalación y ensamblaje de equipos eléctricos deberán ser efectuados solamente por personal cualificado

L'installation et raccordement des appareils doit être effectué par du personnel qualifié

L'installazione e l'assemblaggio delle parti elettriche vanno eseguite esclusivamente da personale qualificato

APPROBATIONEN / APPROVALS / APROBACIONES / APPROBATIONS / APPROVAZIONI



100% Einschaltdauer (uninterrupted duty)

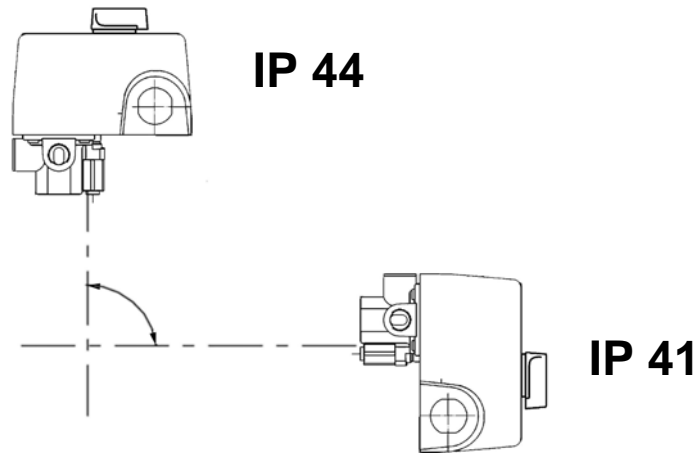
Kurzschlußeinrichtung / Short-circuit protection / Protección contra corto circuito

Protection contre court-circuit/ Protezione contro corto circuito

Type	Koordination Type " 1 "		Koordination Type " 2 "	
Tipo	Co-ordination Type " 1 "		Co-ordination Type " 2 "	
	Coordinación Tipo " 1 "		Coordinación Tipo " 2 "	
	Coordination Type " 1 "		Coordination Type " 2 "	
	Coordinamento Tipo " 1 "		Coordinamento Tipo " 2 "	
Sicherung gL	manuell	pneumatisch	manuell	pneumatisch
Fuse (slow)				
Fusible (retardado)			35A	50A
Fusible (retardé)				
Fusibile (ritardato)				

IP 44 / IP 41

Einbaulage berücksichtigen / **Mounting position must be observed** / Respetar posición de montaje
Observer position de montage / Rispettare posizione montaggio



0.0800.0367 02.11.2005



Condor Pressure Control GmbH

Warendorfer Straße 47 – 51
D-59320 Ennigerloh

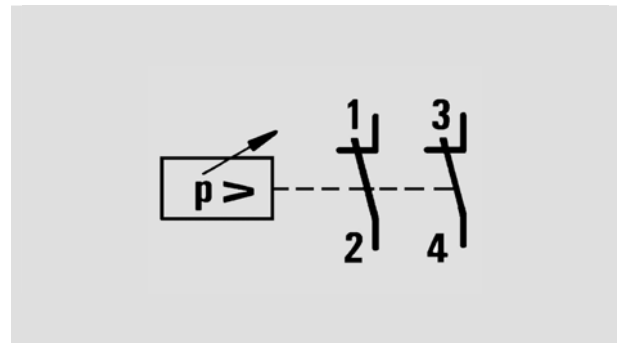
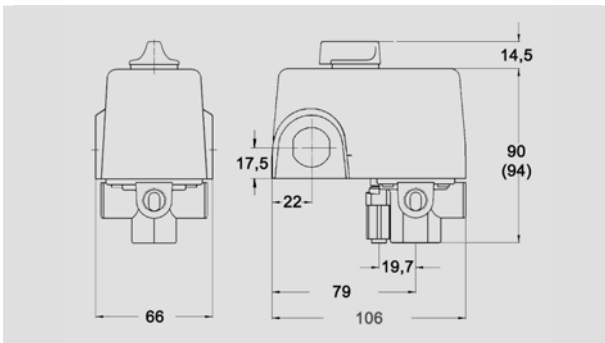
Telefon: +49 (0) 25 87 / 89 – 0
Telefax: +49 (0) 25 87 / 89 - 140

info@condor-cpc.com
www.condor-cpc.com

Pressure switch MDR 11



Dimensions / Circuit Diagrams MDR 11



Pressure switch **MDR-11**

Accessories MDR 11

Order reference	Description	Weight in g	Part No.
	Unloader valves		
EV 1 S	with quick-connect 6 mm for plastic unloader valves	25	226765
EV 1 WSi	90° unloader valve with quick-connect for 1/4" plastic tubes, quick-connect can be rotated 360°	25	247593
	Delayed unloader valves		
AEV 1 S	with quick-connect 6 mm for plastic unloader valves	25	217541
	Cable glands		
WN	Grommets	6	201243
PG 13.5 Z-21	With strain relief	12	201021
PG 13.5 ZK-21	With strain relief and cable support	12	201038
	Differential pressure adjustment		
MDR-1 Differential kit	Kit for setting cut-in and differential pressures (10 pcs.)	20	230618

Unloader valves / Delayed unloader valves



EV 1S



EV 1WSi



AEV 1S

Cable glands MDR 11



WN



PG 13.5 Z-21



PG 13.5 ZK-21