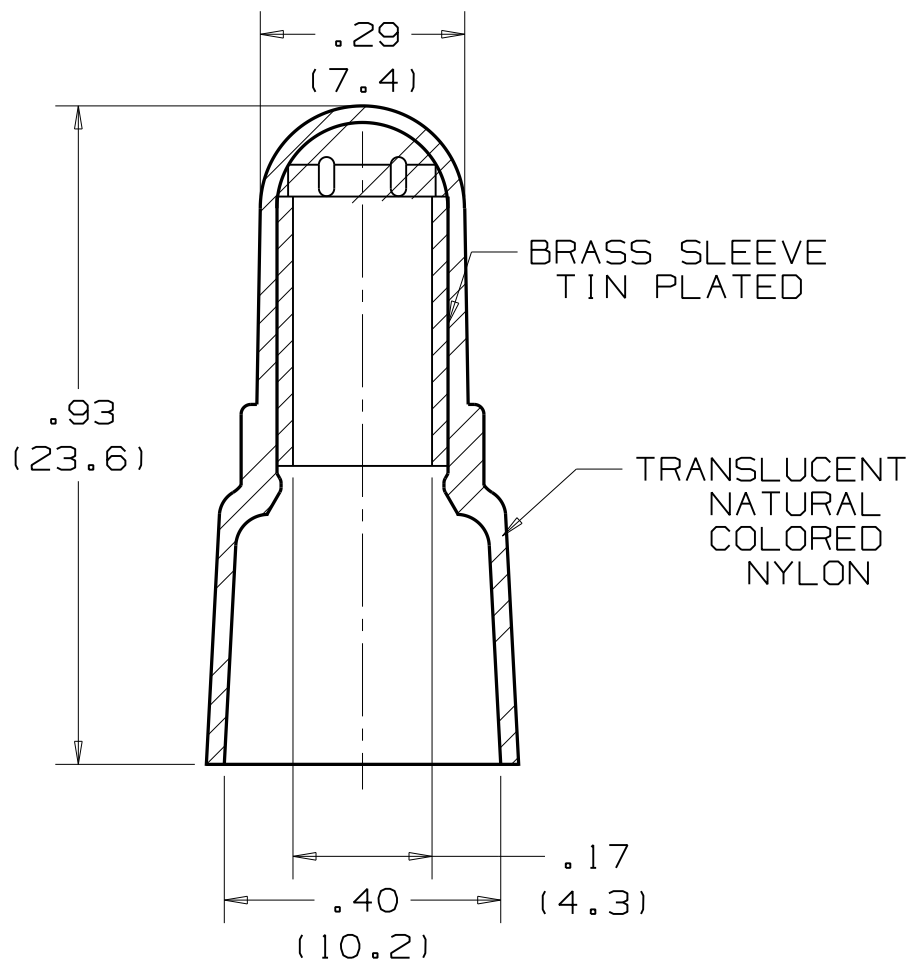


WIRE COMBINATION CHART

WIRE SIZE	NO. OF WIRES	NUMBER OF ADDITIONAL WIRES OF ONE SIZE			
		#18	#16	#14	#12
#18	1	3-6	2-5	2-3	1
	2	2-5	2-4	1-2	1
	3	1-4	1-3	1-2	1
	4	1-3	1-3	1-2	1
	5	1-2	1-2	1	0
	6	1	1	1	0
#16	1	3-6	2-4	1-2	1
	2	1-5	1-3	1-2	1
	3	1-4	1-2	1	1
	4	1-2	1	1	0
	5	1	0	0	0
#14	1	2-6	1-4	1-2	1
	2	1-4	1-2	1	1
	3	1	0	0	0
#12	1	1-4	1-3	1-2	1
#10	1	1-2	1	1	0

NOTES :

- UL LISTED AND CSA CERTIFIED FOR:
 - 600V. MAX. BLDG. WIRE, 1000V. MAX. IN SIGNS, FIXTURES AND LUMINARIES
 - 221°F (105°C) MAX. TEMP. RATING
 - WIRE COMBINATIONS OF #18AWG-#12 SOLID OR STRANDED COPPER WIRE
- SEE www.panduit.com FOR PART NUMBER SUFFIX DESIGNATION FOR PACKAGE SIZE
- DIMENSIONS IN BRACKETS ARE IN MILLIMETERS
- INSTALLATION TOOLS:
UL LISTED AND CSA CERTIFIED: CT-100A, CT-250, CT-550, CT-1550, & CT-1551
- WIRE STRIP LENGTH: $1/2^{+1/32}_{-0}$ (12.7^{+0.8}₋₀)



LISTED
587H
E52164



CERTIFIED
LR31212

PANDUIT CORP.

TINLEY PARK, ILLINOIS

NYLON INSULATED WIRE JOINT
JN418-212

04	7/11	SB	Added Note # 2
REV	DATE	BY	DESCRIPTION

DRAWN BY DAW	CHK'D	SCALE NONE	DRAWING NO. A41343A
-----------------	-------	---------------	------------------------