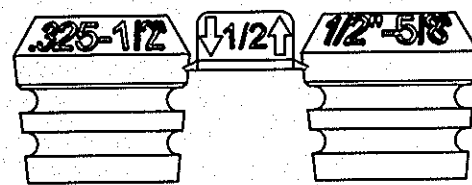
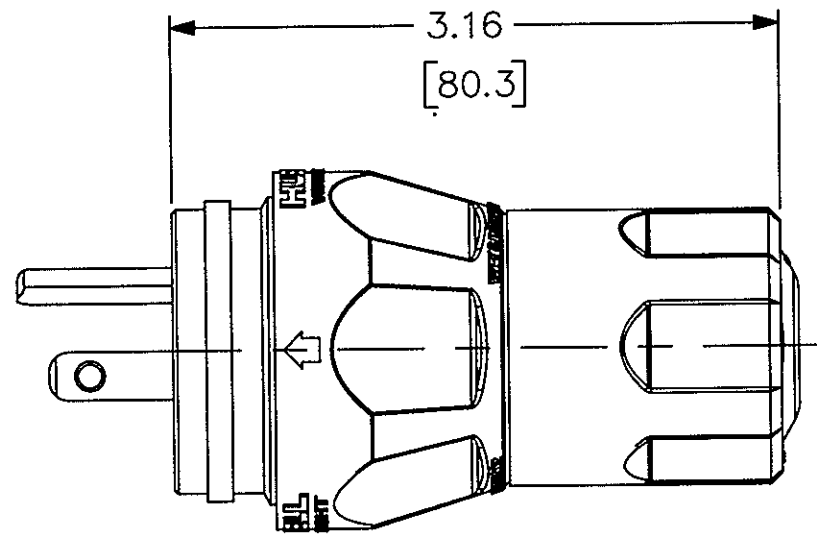
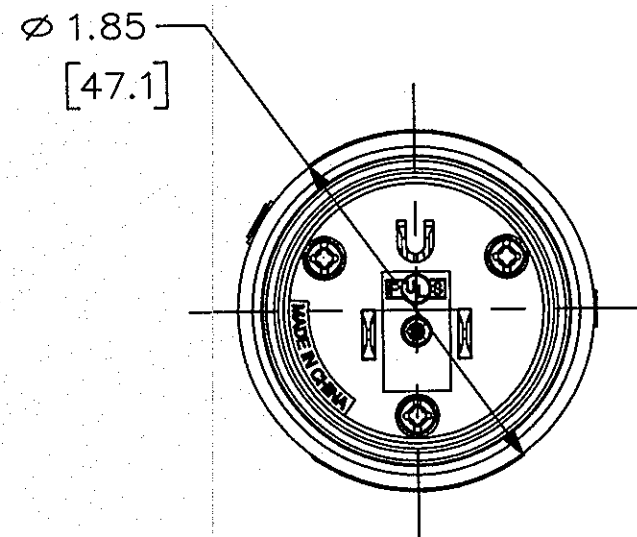
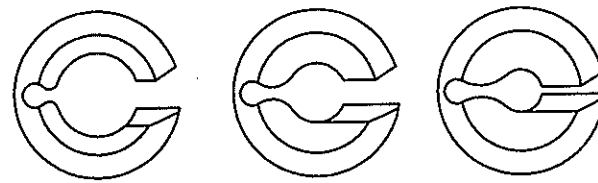


M-12621 3

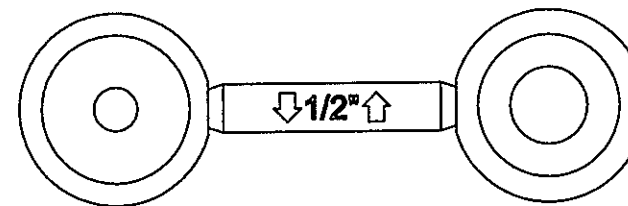


BUSHINGS



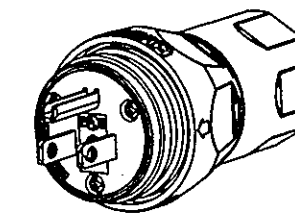
BLUE WHITE BLACK

GOTCHA RINGS



CONE SEALS

LIST OF PARTS		
DESCRIPTION	MATERIAL	FINISH
PLUG FACE	NYLON	WHITE
TERMINAL COVER	POLYCARB.	CLEAR
BLADES	BRASS	NICKEL
TERMINAL SCREWS	BRASS	NONE/NICKEL/GREEN
ASSEMBLY SCREWS	SS	
SHELL BODY	TPE	YELLOW/BLACK
SHELL INSERT	NYLON	NATURAL
NUT	PBT	GRAY
BUSHINGS	ELASTOMER	BLACK
GOTCHA RING	NYLON	
CONE SEAL	ELASTOMER	BLACK



CATALOG NO. HBL14W47A  
(NOT SHOWN TO SCALE)

CATALOG NO.	HBL14W47A	HBL14W33A	HBL14W49	HBL14W48
NEMA CONFIG				
	5-15P	5-20P	6-15P	6-20P
RATING	15A, 125V	20A, 125V	15A, 250V	20A, 250V
POLES/WIRES	2P/3W GROUNDING	2P/3W GROUNDING	2P/3W GROUNDING	2P/3W GROUNDING

- NOTES:
- DIMENSIONS SHOWN ARE TYPICAL. DIMENSION UNITS: INCHES [mm].
  - DEVICES ARE UL LISTED PER UL 498.
  - DEVICES ARE CSA CERTIFIED PER CSA C22.2 NO.42.
  - DEVICES ARE UL VERIFIED WITH THE CONSTRUCTION & PERFORMANCE REQUIREMENTS OF FEDERAL SPECIFICATION W-C-596H.
  - TWO STRAIN RELIEF BUSHINGS ACCOMMODATE ROUND CORD TYPES S & SJ:  
16/3 SJ TO 10/3 SJ, 18/3 S TO 12/3 S,  
ø0.325 TO ø0.625", (ø8.3 TO ø15.9 mm).
  - CERTAIN DEVICES AVAILABLE IN BLACK.
  - THIS PRODUCT HAS BEEN TESTED TO NEMA ENCLOSURE TYPES 3R, 3RX, 4, 4X, 6, 6P, 12, & IEC CLASSIFICATION IP67 WHEN MATED WITH AN EQUIVALENT RATED WATERTIGHT DEVICE.  
WARNING! RISK OF ELECTRICAL SHOCK. DO NOT SUBMERGE.  
THE ENCLOSURE RATINGS 6, 6P & IP67 OF THIS PRODUCT ARE ONLY INTENDED TO DEMONSTRATE SUPERIOR RESISTANCE TO WATER INGRESS AND NOT FOR SUBMERSION.

SYM	REVISIONS	APP	DATE
3	ADDED ISO VIEW TO INDICATE SOLID MODEL DRAWING PER DCN 21895 DDL	DJP	02/26/16
2	REVISED NOTES & LIST OF PARTS PER DCN 20803 MAM	TLS	10/27/2014
1	INITIAL RELEASE PER DCN 20391 WRV		06/2014

THE DESIGN AND DIMENSIONS OF THE PRODUCT SHOWN ON THIS DRAWING ARE SUBJECT TO CHANGE WITHOUT NOTICE

TITLE  
WATERTIGHT PLUGS  
CUSTOMER  
DRAWING

TOLERANCES UNLESS OTHERWISE SPECIFIED	WIRING DEVICE-KELLEMS HUBBELL INCORPORATED SHELTON, CT	
.XX = ±.01	DR. BY WRV	APP. BY TLS
.XXX = ±.005	TR. BY	SCALE 1:1
ANGLES = ±2°	CHK. BY TLS	DATE 06/2014

DIMENSION SHEET FOR CAT. NO. SEE TABLE  
 REPAIRABLE  NON-REPAIRABLE   
**B**  
 M-12621  
 3