



### Product Description:

- Glove Box Dispenser - Triple with Dividers
- Holds three boxes of gloves
- Two-way keyholes for vertical or horizontal wall mounting
- Made of white powder coated steel

### Primary Area for Product Usage:

- All primary care areas: clinic/exam rooms, radiology, labs, physical therapy, O.R. areas, employee health
- Non-patient areas: kitchens, laundry facilities, environmental services, sterile processing

### Dispenses:

Most brand name standard glove boxes:

- Boxes no larger than 5.24"W x 10.00"H x 3.75"D (13.3 cm x 25.4 cm x 9.5 cm)

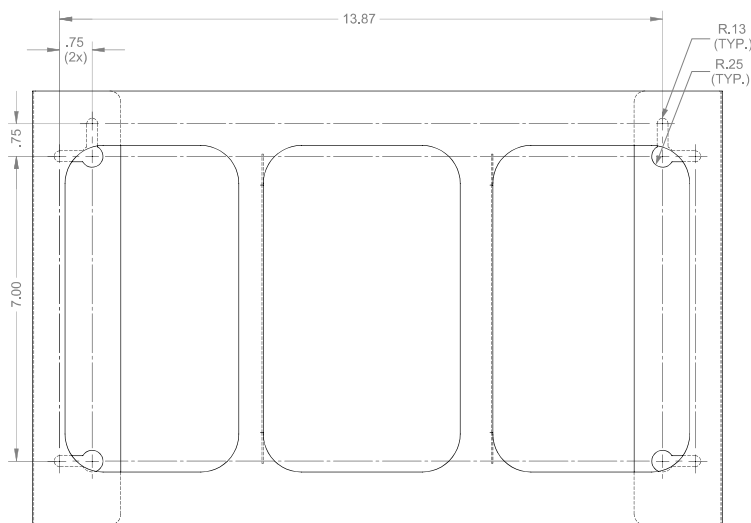
### Package Specifications:

- Package Quantity: 4 per case
- 18"L x 16"W x 10"H (45.7 cm x 40.6 cm x 25.4 cm)
- 13.0 lbs (5.9 kg) - approximated

### Product Specifications (overall external dimensions):

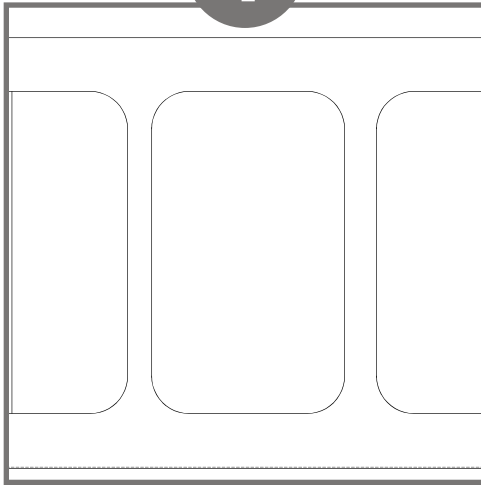
- 15.87"W x 10.03"H x 3.81"D (40.3 cm x 25.5 cm x 9.7 cm)
- 2.25 lbs (1.0 kg) - approximated

### Mounting Specifications:

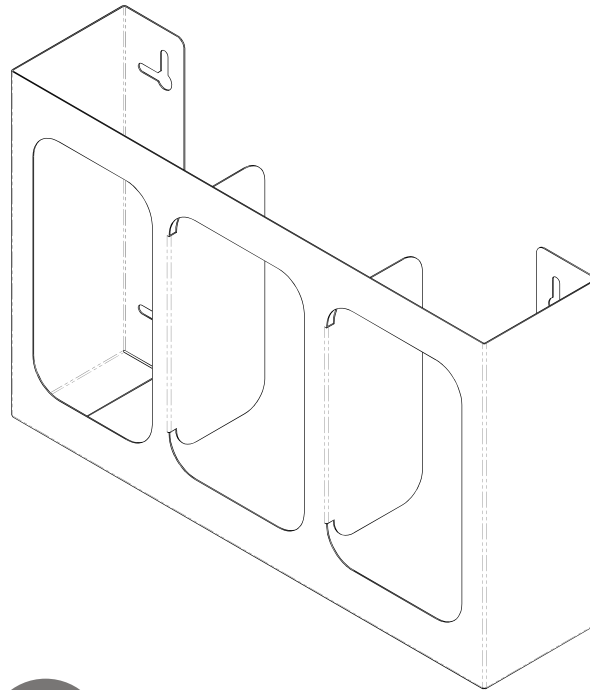




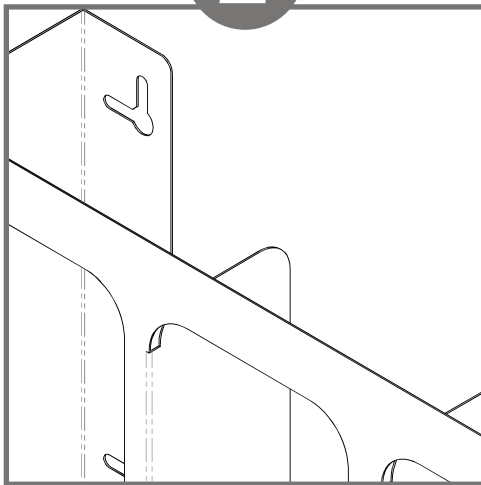
# 1



Large openings ensure quick and easy access to product and view of dispensing glove box.

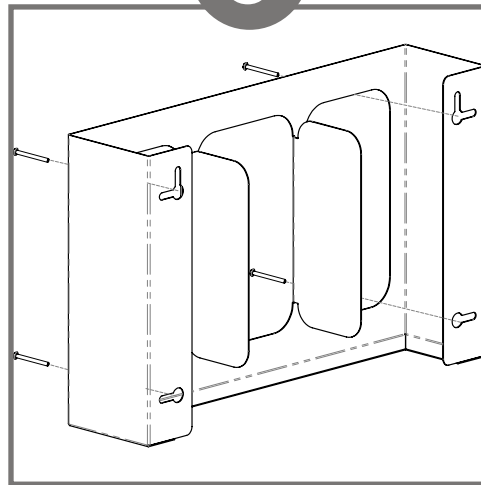


# 2



Dividers between sections enables quick, effortless stocking regardless of mounting position.

# 3



Dispenser should be mounted securely to a wall through keyholes in back with screws approved and provided by building maintenance.

### Parts included:

- Glove Box Dispenser

### Tools required:

- No tools required to assemble dispenser



## Advantage

### Designed for Long-Term Use

Dispensers and stands made of powder coated steel are both attractive and functional, providing years of service.

## Major Benefits

### *Durable*

Our powder coated steel dispensers and stands provide long-lasting products that hold up well in tough environments.

### *Cleaning*

The powder coated finish resists common chemicals and cleaning agents and can be easily wiped clean with soap and water.

### *Strength*

Powder coated steel is ideal for dispensers used in a healthcare or an industrial setting. It is impact resistant and is not effected by extremes in temperature.

### *Appearance*

The clean, bright appearance of quartz powder coated steel looks attractive and provides a professional image in all environments.

