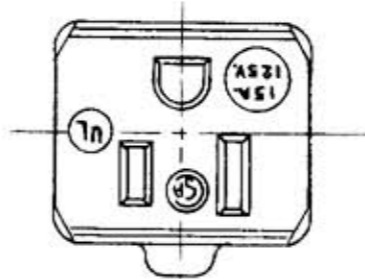
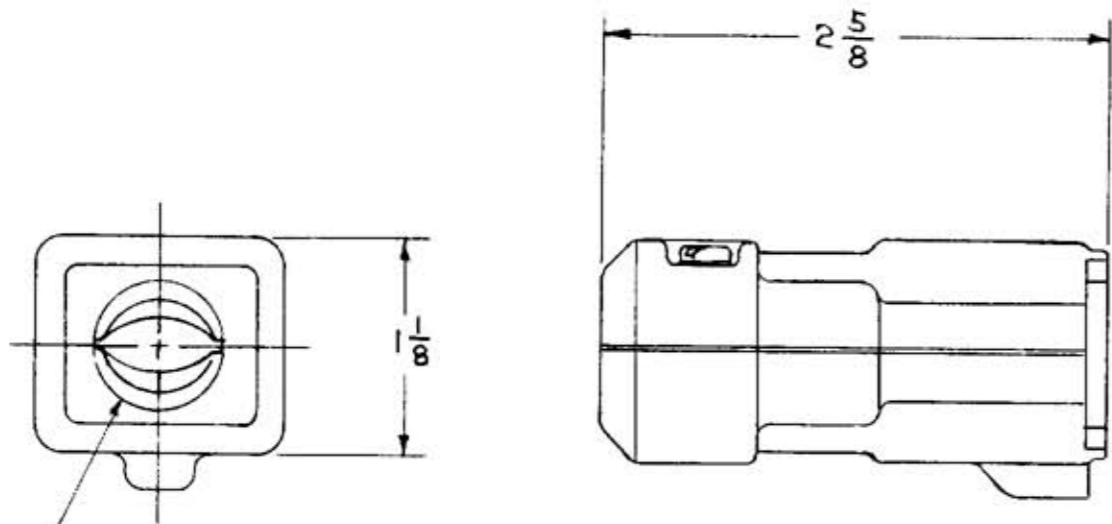
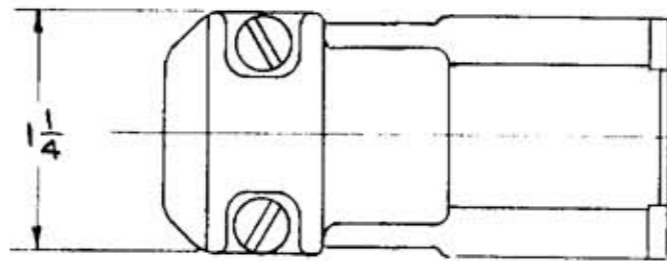


M-6113 2



CORD CLAMP RANGE $7/32 - 29/64$ DIA. WITH INSERTS
AND $29/64 - 21/32$ DIA. WITHOUT INSERTS

* NOTE:

ON "CM" DEVICES STEEL PARTS ARE MADE OF BRASS OR STAINLESS STEEL AND ALL BRASS PARTS ARE .0003 NICKEL PLATED.

CATALOG NO.	COLOR
5969 VY	YELLOW
5969 VBLK	BLACK
5969 VGY	GRAY
52CM69V*	YELLOW

LIST OF PARTS		
DESCRIPTION	MATERIAL	FINISH
HOUSING	NYLON	SEE TABLE
CONTACT SPRING	BRASS	
BINDING HD. SCR.	STAIN. ST.	1-WHITE
GR. CONTACT SPR.	BRASS	
WIRE CLAMP NUT	STEEL	NICKEL PL.
HEX. HD. BIND. SCR.	STEEL	GREEN
CORD CLAMP SCR.	STEEL	YELLOW CHROMATE
INSERT	NORYL	BLACK

SYM	REVISIONS	APP	DATE
2	ADDED TABLE TO INCLUDE ALL CATALOG NO'S FULL		5-20-91
1	BINDING HD SCREW WAS BRASS, CORD CLAMP SCR. WAS ZINCP. ADDED INSERT FULL	CEB	3-19-90

TITLE
15A. 125V. 3 WIRE GROUNDING
VALISE CONNECTOR

TOLERANCES UNLESS OTHERWISE SPECIFIED		HARVEY HUBBELL, INC.	
FRACTIONS $\pm 1/64$		BRIDGEPORT, CONN.	
DECIMALS $\pm .005$		DR. BY C. J. G.	APP. BY
ANGLES $\pm 2^\circ$		TR. BY	SCALE FULL
		CHK'D. BY	DATE 11-29-77

CODE 74545

REPAIRABLE NON-REPAIRABLE

B M-6113

2

DIMENSION SHEET FOR CAT. NO. SEE TABLE