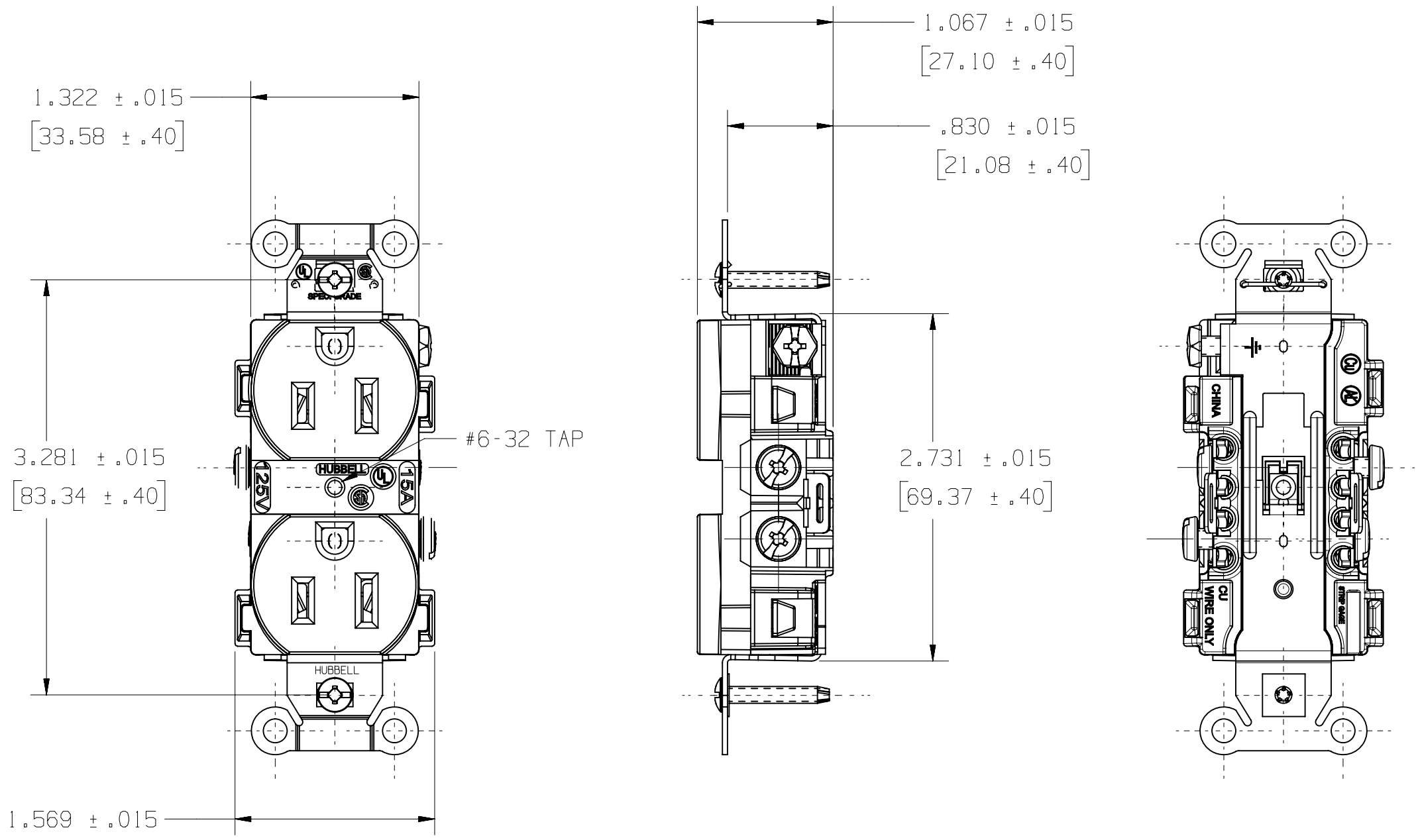


M-10315 5



NOTES:
 1) DIMENSIONS ARE IN INCHES [MM].
 2) ALL DEVICES UL LISTED, CSA CERTIFIED.
 3) TERMINALS ACCOMMODATE #14-#10 AWG COPPER WIRE ONLY.

HUBBELL CATALOG NUMBERS

BROWN	IVORY	GRAY	WHITE	BLACK		BLUE	LIGHT ALMOND	RED	ORANGE		GREEN
BR15	BR15I	BR15GRY	BR15WHI	BR15BLK		BR15BL	BR15LA	BR15R	-----		BR15GN

LIST OF PARTS		
DESCRIPTION	MATERIAL	FINISH
TOP	PC	SPI A-3
BASE	PC	SPI A-3
LINE CONTACTS	BRASS	
GROUND CONTACTS	BRASS	
CONTACT SCREW (NEU)	STEEL	NI PLT
CONTACT SCREW (HOT)	STEEL	
BRIDGE	.04 GALV STL	
GROUND SCREW	STEEL	GREEN
STAPLE	S.S.	
WASHER	PVC FILM	BLACK
MOUNTING SCREW	STEEL	ZINC PLT

SYM	REVISIONS	APP	DATE
5	REVISED NOTE 2, REMOVED FED SPEC, CHG MATL TOP AND BASE TO PC, BR15WHI WAS BR15W, BR15GRY WAS BR15G, REMOVED ALMOND, & OFFICE WHITE EC 200227110910 JPQ	WHD	02/25/2020
4	ADDED CAT. NOS. BR15GN TO TABLE PER DCN 21031. MYA	DJP	2/12/15
3	ADDED CAT. NOS. BR15BL & BR15R TO TABLE. PER DCN 19208 DDL	DJP	11/16/12
2	ADDED CAT. NOS. BR15AL & BR15LA PER DCN# 13864	WRV	08/02/07
1	RELEASED PER DCN# 13786 WRV		03/27/07

THE DESIGN AND DIMENSIONS OF THE PRODUCT SHOWN ON THIS DRAWING ARE SUBJECT TO CHANGE WITHOUT NOTICE

TITLE HUBBELL
 15A 125V, 2P 3W,
 SMOOTH FACE DUPLEX RECEPT.
 BACK & SIDE WIRE

TOLERANCES UNLESS OTHERWISE SPECIFIED .XX = ± .01 .XXX = ± .005 ANGLES = ± 2°	WIRING DEVICE-KELLEMS HUBBELL INCORPORATED SHELTON, CT	
	DR. BY WRV	APP. BY
	TR. BY	SCALE 1:1
	CHK. BY	DATE 3/07

DIMENSION SHEET FOR CAT. NO. M-10315 5
 REPAIRABLE NON-REPAIRABLE