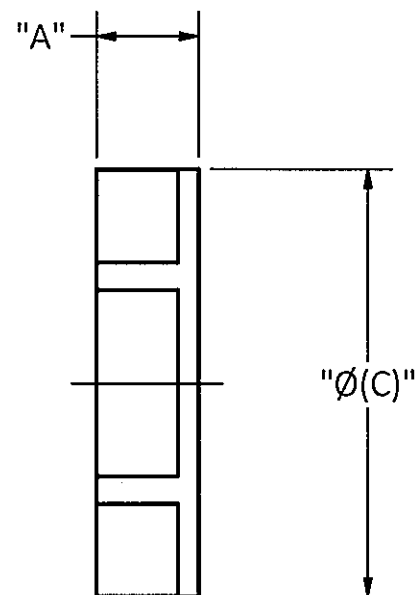
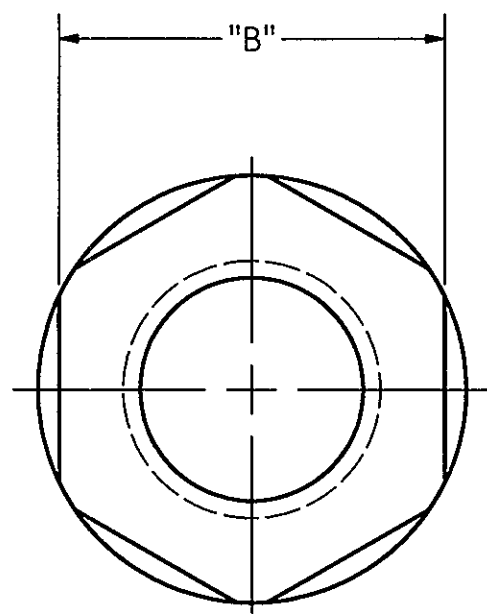


CATALOG NUMBER	NPT TRADE SIZE	DIMENSIONS		
		"A"	"B"	" DIA. (C)"
31622001LPK50	1/4	.265 [6,7]	.748 [19,0]	.82 [20,8]
31622002LPK50	3/8	.265 [6,7]	1.058 [26,9]	1.11 [28,2]
31622003LPK50	1/2	.265 [6,7]	1.058 [26,9]	1.11 [28,2]
31622007LPK50	3/4	.265 [6,7]	1.295 [32,9]	1.37 [34,8]
31622008LPK50	1	.265 [6,7]	1.605 [40,8]	1.68 [42,7]



NOTES:

1. FLAMMABILITY RATING: 94V-2
2. COLOR: BLACK
3. TEMPERATURE RANGE: -22°F (-30°C) TO 221°F (105°C)
4. DIMENSIONS ARE IN INCHES [mm]

LIST OF PARTS


DESCRIPTION	MATERIAL	FINISH

1	NEW RELEASE PER DCN 22261 SPN FFS	FFS	8/18/16
REV	DESCRIPTION	APP	DATE

THE DESIGN AND DIMENSIONS OF THE PRODUCT SHOWN ON THIS DRAWING ARE SUBJECT TO CHANGE WITHOUT NOTICE. DIMENSIONS ARE IN INCHES [mm].

TITLE

NYLON NPT HEX LOCKNUT

 WIRING DEVICE-KELLEMS HUBBELL INCORPORATED SHELTON, CT	DR. BY	SPN	SCALE	2:1
	TOLERANCES UNLESS OTHERWISE SPECIFIED .XX = ±.01 .XXX = ±.005 ANGLE TOL. ±2	CHK. BY	FFS	DATE

DIMENSION SHEET FOR CAT. NO.

B

M-13427

1