

Please read and save these instructions. Read carefully before attempting to assemble, install, operate or maintain the product described. Protect yourself and others by observing all safety information. Failure to comply with instructions could result in personal injury and/or property damage! Retain instructions for future reference.



Dayton® 56mm LED Tower Lights

Description

- Ø56mm LED Modular Tower Light.
- LED modular components
- Steady Lighting, Flashing, Buzzer
- Optional 80 or 100dB Buzzer (Adjustable Volume)
- Power: 24V AC/DC or 90~240V AC
- Lead wire type
- Pole mounting or Direct mounting



Unpacking

After unpacking the product, carefully inspect for any damage that may have occurred during transit. Check for loose, missing, or damaged parts. Shipping damage claims must be filed with the carrier and are the responsibility of the user.

General Safety Instructions

- Always observe rules of "Safety Caution" for safe and correct use of products and for prevention of accident or danger.
- "Safety Caution" is divided into two categories, i.e., 'caution' and 'warning', details of which read as below.

Warning Possibilities where incorrect use or violation of instructions may result in serious personal injury or even death

Caution Possibilities where incorrect use or violation of instructions may result in minor personal injury

Meaning of symbols described on products and Instruction Manual is as follows. **Warning** is a symbol cautioning that a danger may occur under a particular condition.

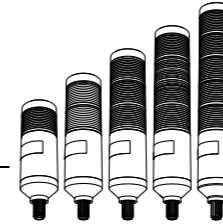
Warning

- Always attach a dual safety device on life or property-affecting devices (e.g., atomic control, medical devices, automotive vehicles, railway vehicles, airplanes, combustion devices, amusement devices or safety devices) before use. (Fire, personal injury, serious property loss may occur.)
- Do not disassemble or alter the product. Contact us for service related functions including inner inspection and repair. (Fire, electrocution and product damage may occur.)
- Avoid wiring, inspecting and repairing while power is being supplied. (Electrocution may occur.)
- Always use rated input voltage, and use a standard electric cord for each product. (Fire and electrocution may occur.)
- Always check if an electric connection is proper before applying a power source. (Fire, electrocution and product damage may occur.)
- Avoid using an excessive electricity higher than rated voltage. (Fire and product damage may occur.)
- Avoid using the product outdoors, at explosion-prone places, at places near inflammable substances, water, combustible substances and vibration. (Fire, electrocution and personal injury may occur.)
- Always perform an individual grounding test, and avoid using a grounding cable exceeding AWG No.16. (Electrocution may occur.)

Caution

- Do not disassemble, repair, or modify the product, otherwise severe accidents may result, such as electric shocks, damage, fire, or malfunction.
- Do not pull out or push in the cable of the product, otherwise damage may result. Give slack to the cable while wiring.
- Turn off the power to the product before mounting, dismounting, wiring, and assembling the LED unit. Make sure of correct wiring, otherwise electric shocks or fire may result.
- Do not place obstacles obstructing ventilation near product. (Product damage or product deformation may occur due to heat.)
- In case abnormality happens to the product, unplug the input power connection immediately. (There is the danger of fire or product damage.)
- Avoid using at a place of high vibration level. (Product damage may occur.)
- Avoid using water or detergent when cleaning, and clean with dry cloth. (Electrocution may occur.)

Dayton® 56mm LED Tower Lights



Models 26ZT20 to 26ZT31 Pole Mounting type

Specifications

Model No.	Lens Color	Stack	Power Voltage	Current(A) (±10%)	Power(W) (±10%)	Frequency (Hz)
26ZT20	Red	1	24V AC/DC	0.033A	0.77W	
26ZT21	Red/Green	2	24V AC/DC	0.075A	1.77W	
26ZT22	Red/Yellow	2	24V AC/DC	0.06A	1.39W	
26ZT23	Red/Yellow/Green	3	24V AC/DC	0.102A	2.39W	
26ZT24	Red/Yellow/Green/Blue	4	24V AC/DC	0.144A	3.39W	
26ZT25	Red/Yellow/Green/Blue/Clear	5	24V AC/DC	0.186A	4.39W	DC: Not applicable
26ZT26	Red	1	90~240V AC	0.013~0.017A	0.87~1.01W	AC: 50/60Hz
26ZT27	Red/Green	2	90~240V AC	0.029~0.031A	2.07~2.41W	
26ZT28	Red/Yellow	2	90~240V AC	0.024~0.031A	1.56~1.82W	
26ZT29	Red/Yellow/Green	3	90~240V AC	0.04~0.053A	2.76~3.22W	
26ZT30	Red/Yellow/Green/Blue	4	90~240V AC	0.056~0.075A	3.96~4.62W	
26ZT31	Red/Yellow/Green/Blue/Clear	5	90~240V AC	0.072~0.097A	5.16~6.02W	

Application-1

Model No.	Outside Diameters inch.(mm)	Height (±2mm)	Gross Weight lb (g)	Light Output (lm)
26ZT20	2.20"(56mm)	7.36"(187mm)	0.43 lb (195g)	Apply to: 26ZT20 to 26ZT25
26ZT21	2.20"(56mm)	9.06"(230mm)	0.54 lb (242g)	Red - 13 lm
26ZT22	2.20"(56mm)	9.06"(230mm)	0.54 lb (242g)	Yellow - 12 lm
26ZT23	2.20"(56mm)	10.62"(270mm)	0.63 lb (286g)	Green - 8 lm
26ZT24	2.20"(56mm)	12.28"(312mm)	0.73 lb (333g)	Blue - 4 lm
26ZT25	2.20"(56mm)	13.94"(354mm)	0.83 lb (378g)	Clear - 24 lm
26ZT26	2.20"(56mm)	7.36"(187mm)	0.47 lb (214g)	Apply to: 26ZT26 to 26ZT31
26ZT27	2.20"(56mm)	9.06"(230mm)	0.57 lb (260g)	Red - 11 lm
26ZT28	2.20"(56mm)	9.06"(230mm)	0.57 lb (260g)	Yellow - 9 lm
26ZT29	2.20"(56mm)	10.62"(270mm)	0.67 lb (305g)	Green - 7 lm
26ZT30	2.20"(56mm)	12.28"(312mm)	0.78 lb (352g)	Blue - 4 lm
26ZT31	2.20"(56mm)	13.94"(354mm)	0.88 lb (397g)	Clear - 23 lm

Application-2

Model No.	Light source	Flash Rate (±5%)	Rating	Ambient Temp	Storage Temp	Wire Size
26ZT20 to 26ZT31	LED	80 times/minute	IP65 / IP40 with Buzzer	-15 to 40 °C	-20 to 70 °C	1007 UL/22AWG

Models 26ZT33 to 26ZT44 Direct mounting type

Specifications

Model No.	Lens Color	Stack	Power Voltage	Current(A) (±10%)	Power(W) (±10%)	Frequency (Hz)
26ZT33	Red	1	24V AC/DC	0.033A	0.77W	
26ZT34	Red/Green	2	24V AC/DC	0.075A	1.77W	
26ZT35	Red/Yellow	2	24V AC/DC	0.06A	1.39W	
26ZT36	Red/Yellow/Green	3	24V AC/DC	0.102A	2.39W	
26ZT37	Red/Yellow/Green/Blue	4	24V AC/DC	0.144A	3.39W	
26ZT38	Red/Yellow/Green/Blue/Clear	5	24V AC/DC	0.186A	4.39W	DC: Not applicable
26ZT39	Red	1	90~240V AC	0.013~0.017A	0.87~1.01W	AC: 50/60Hz
26ZT40	Red/Green	2	90~240V AC	0.029~0.031A	2.07~2.41W	
26ZT41	Red/Yellow	2	90~240V AC	0.024~0.031A	1.56~1.82W	
26ZT42	Red/Yellow/Green	3	90~240V AC	0.04~0.053A	2.76~3.22W	
26ZT43	Red/Yellow/Green/Blue	4	90~240V AC	0.056~0.075A	3.96~4.62W	
26ZT44	Red/Yellow/Green/Blue/Clear	5	90~240V AC	0.072~0.097A	5.16~6.02W	

Application-1

Model No.	Outside Diameters inch.(mm)	Height inch(±2mm)	Gross Weight lb (g)	Light Output (lm)
26ZT33	2.20"(56mm)	6.10"(155mm)	0.23 lb (187g)	Apply to: 26ZT33 to 26ZT38
26ZT34	2.20"(56mm)	7.76"(197mm)	0.51 lb (233g)	Red - 13 lm
26ZT35	2.20"(56mm)	7.76"(197mm)	0.51 lb (233g)	Yellow - 12 lm
26ZT36	2.20"(56mm)	9.45"(240mm)	0.61 lb (279g)	Green - 8 lm
26ZT37	2.20"(56mm)	11.02"(280mm)	0.71 lb (325g)	Blue - 4 lm
26ZT38	2.20"(56mm)	12.68"(322mm)	0.81 lb (370g)	Clear - 24 lm
26ZT39	2.20"(56mm)	6.10"(155mm)	0.47 lb (211g)	Apply to: 26ZT39 to 26ZT44
26ZT40	2.20"(56mm)	7.76"(197mm)	0.57 lb (257g)	Red - 11 lm
26ZT41	2.20"(56mm)	7.76"(197mm)	0.57 lb (257g)	Yellow - 9 lm
26ZT42	2.20"(56mm)	9.45"(240mm)	0.67 lb (302g)	Green - 7 lm
26ZT43	2.20"(56mm)	11.02"(280mm)	0.77 lb (349g)	Blue - 4 lm
26ZT44	2.20"(56mm)	12.68"(322mm)	0.89 lb (394g)	Clear - 23 lm

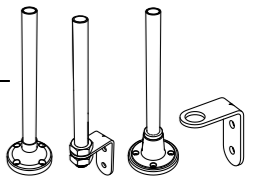
Application-2

Model No.	Light source	Flash Rate (±5%)	Rating	Ambient Temp	Storage Temp	Wire Size
26ZT33 to 26ZT44	LED	80 times/minute	IP65 / IP40 with Buzzer	-15 to 40 °C	-20 to 70 °C	1007 UL/22AWG

Models 26ZT15 to 26ZT17 and 26ZT32 Accessories

Specifications

(Note: not UL certified as accessories)



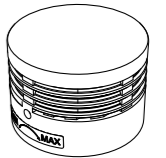
Item Description

Model No.	Product Description	Apply to
26ZT15	20 x 240mm length Pole, Surface Mounting, Plastic base, Aluminum pole	26ZT20 to 26ZT31
26ZT16	20 x 240mm length Pole, Wall mounting Steel Bracket, Aluminum pole	26ZT20 to 26ZT31
26ZT17	20 x 240mm length Pole, Surface Mounting , Aluminum pole & base	26ZT20 to 26ZT31
26ZT32	Wall mounting Bracket	26ZT33 to 26ZT44

Model No.	Color	Material	Gross Weight lb (g)	Size inch (mm)
26ZT15	Pole-Silver, Base-Black	Pole-Aluminum, Base-Plastic	0.24 lb (110g)	10.23 x Ø2.76 (260 x Ø70)
26ZT16	Silver	Pole-Aluminum, Bracket-Steel	0.56 lb (255g)	11.50 x 1.34 (292 x 34)
26ZT17	Silver	Pole-Aluminum, Base-Aluminum	0.43 lb (193g)	10.23 x Ø3.15 (260 x Ø80)
26ZT32	Silver	Steel	0.23 lb (105g)	1.39 x 2.72 x 3.07 (34 x 69 x 78)

Models 26ZT18 to 26ZT19 Buzzer Kit Accessories

Specifications



Rating

Model No.	Power Voltage	Frequency (Hz)	Sound Level (±5dB)	Current(mA) (±10%)	Power(W) (±10%)
26ZT18	24V AC/DC	DC: Not applicable	10 ~ 80dB (at 1M)	30mA	0.72W
26ZT19	24V AC/DC	AC: 50/60Hz	10 ~ 100dB (at 1M)	150mA	3.6W

Application-1

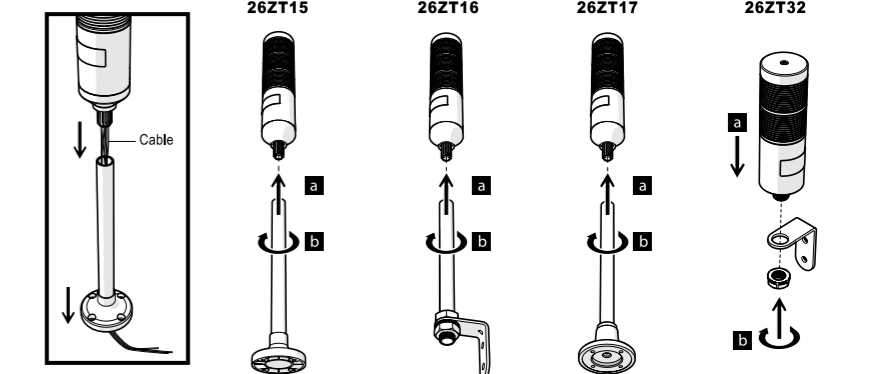
Model No.	Style	Color	Outside Diameters inch (mm)	Height inch (mm)	Gross Weight lb (g)
26ZT18	Adjustable Sound Level	Black	2.20"(56mm)	1.57"(40mm)	0.07 lb (40g)
26ZT19	Adjustable Sound Level	Black	2.20"(56mm)	1.57"(40mm)	0.08 lb (40g)

Application-2

Model No.	Rating	Operating Temp.	Standards	Apply to
26ZT18 to 19	IP40	-15 to 40 °C	UL, RoHS	26ZT20~26ZT31 & 26ZT33~26ZT44

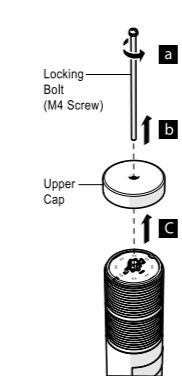
Assembly

Pole mount accessory

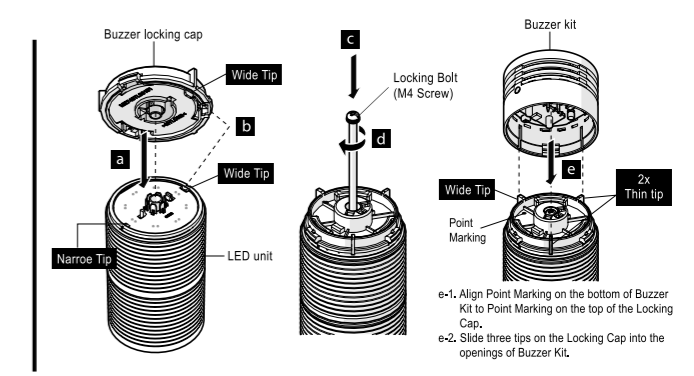


Buzzer kit accessory (26ZT18 to 26ZT19)

1. Removing the Upper cap



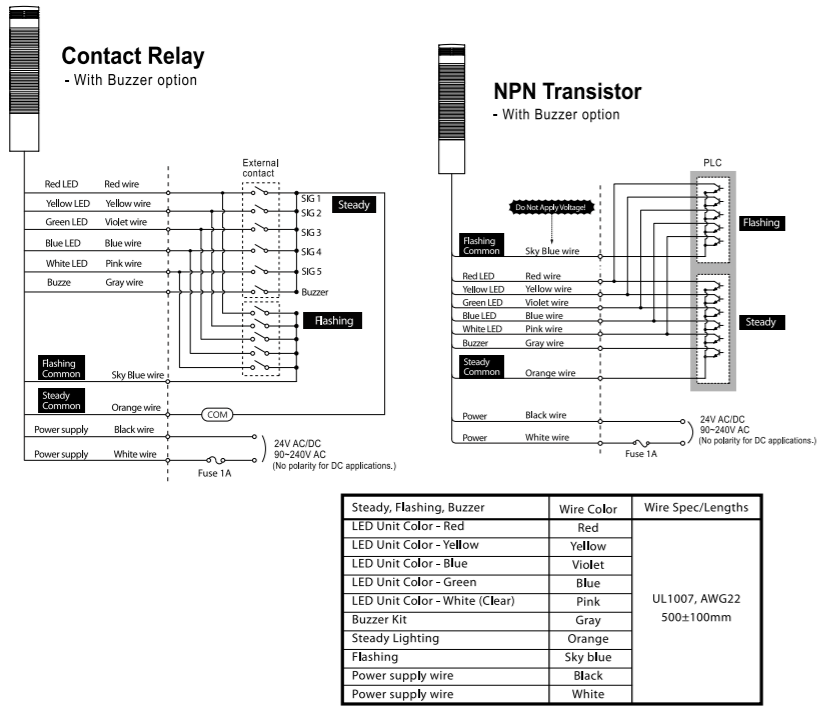
2. How to assemble the buzzer kit



Wiring Diagram

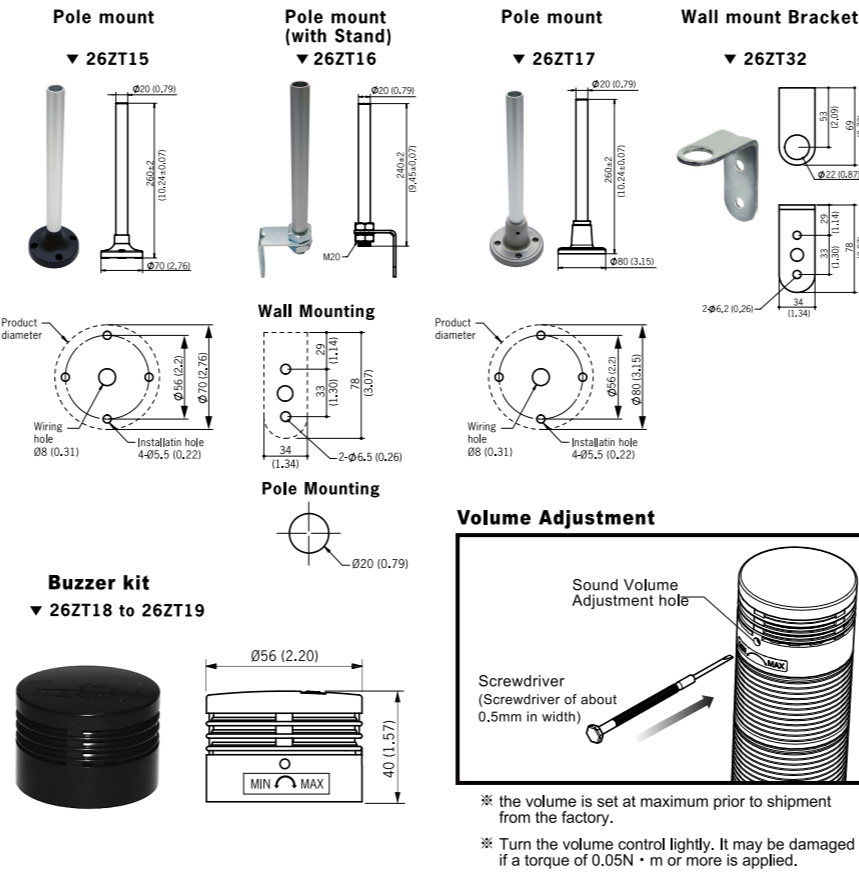
⚠ Before wiring, power supply must be turn off. There is the danger of electrical shock.

- Connect the wires as shown below. Incorrect wiring may damage the internal circuit.
- Connect the wires to external contacts as needed for the number of tiers.
- When using four tiers or less, insulate the unused wires.
- Connect an appropriate fuse to the power line as shown in the figure below.
- Do not apply voltage to flashing (Sky blue) lines.

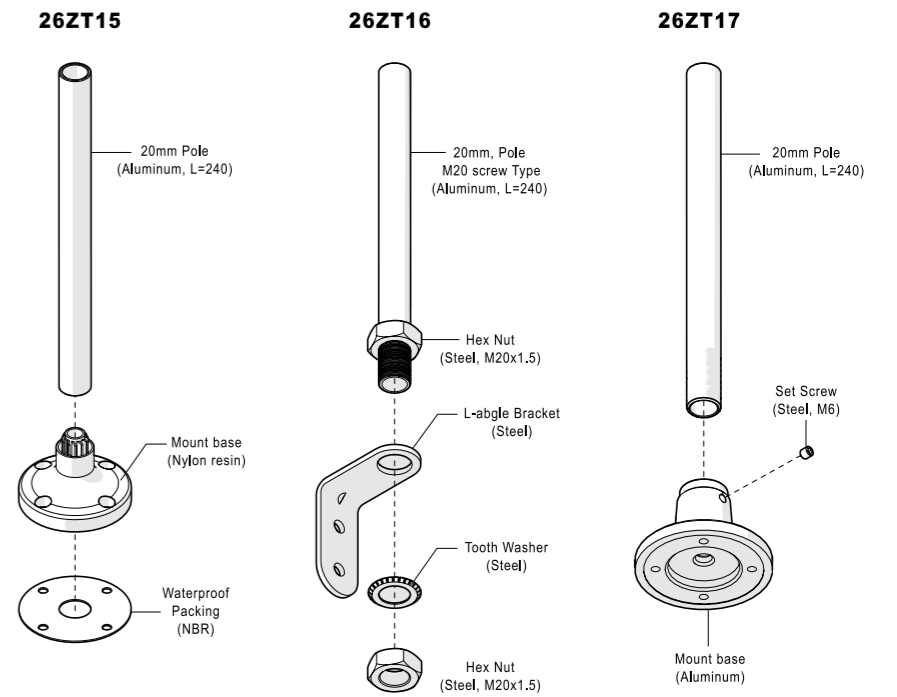


Tower light accessories

Dimensions / Mounting hole layout Unit: mm (inch)

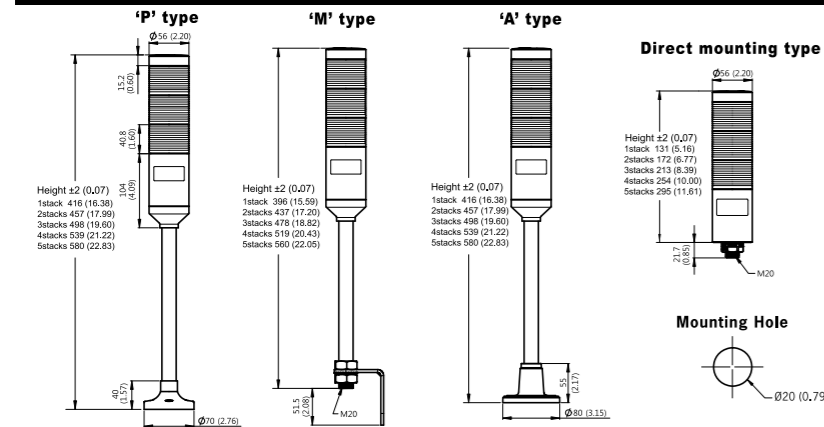


Part Name

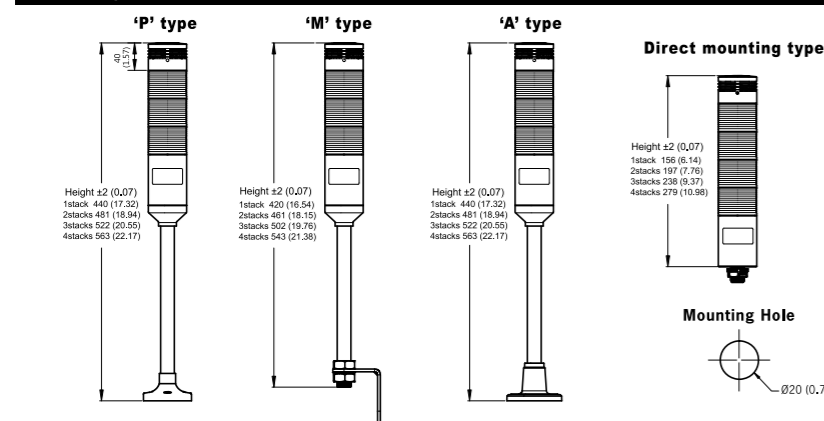


Dimensions Unit: mm (Inch)

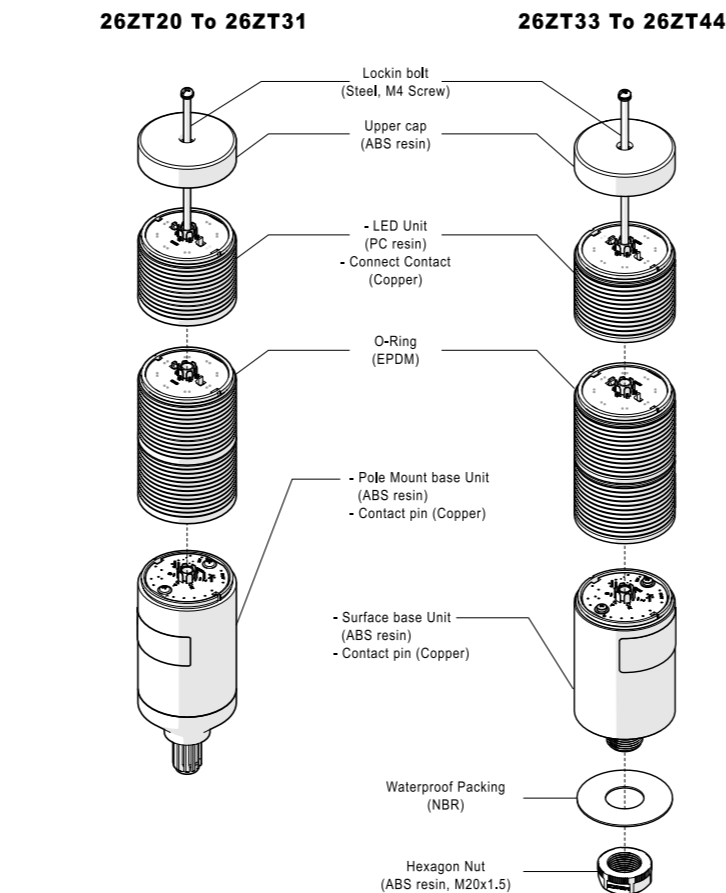
Not Buzzer type



Buzzer type



Part Name



DAYTON ONE-YEAR LIMITED WARRANTY

DAYTON ONE-YEAR LIMITED WARRANTY. All Dayton® product models covered in this manual are warranted by Dayton Electric Mfg. Co. ("Dayton") to the original user against defects in workmanship or materials under normal use for one year after date of purchase. If the Dayton product is part of a set, only the portion that is defective is subject to this warranty. Any product or part which is determined to be defective in material or workmanship and returned to an authorized service location, as Dayton or Dayton's designee designates, shipping costs prepaid, will be, as the exclusive remedy, repaired or replaced with a new or reconditioned product or part of equal utility or a full refund given, at Dayton's or Dayton's designee's option, at no charge. For limited warranty claim procedures, see "Warranty Service" below. This warranty is void if there is evidence of misuse, mis-repair, mis-installation, abuse or alteration. This warranty does not cover normal wear and tear of Dayton products or portions of them, or products or portions of them which are consumable in normal use. This limited warranty gives purchasers specific legal rights, and you may also have other rights which vary from jurisdiction to jurisdiction.

WARRANTY DISCLAIMERS AND LIMITATIONS OF LIABILITY RELATING TO ALL CUSTOMERS FOR ALL PRODUCTS

LIMITATION OF LIABILITY. TO THE EXTENT ALLOWABLE UNDER APPLICABLE LAW, DAYTON'S LIABILITY FOR CONSEQUENTIAL AND INCIDENTAL DAMAGES IS EXPRESSLY DISCLAIMED. DAYTON'S LIABILITY IN ALL EVENTS IS LIMITED TO AND SHALL NOT EXCEED THE PURCHASE PRICE PAID.

WARRANTY DISCLAIMER. A DILIGENT EFFORT HAS BEEN MADE TO PROVIDE PRODUCT INFORMATION AND ILLUSTRATE THE PRODUCTS IN THIS LITERATURE ACCURATELY; HOWEVER, SUCH INFORMATION AND ILLUSTRATIONS ARE FOR THE SOLE PURPOSE OF IDENTIFICATION, AND DO NOT EXPRESS OR IMPLY A WARRANTY THAT THE PRODUCTS ARE MERCHANTABILITY, OR FIT FOR A PARTICULAR PURPOSE, OR THAT THE PRODUCTS WILL NECESSARILY CONFORM TO THE ILLUSTRATIONS OR DESCRIPTIONS. EXCEPT AS PROVIDED BELOW, NO WARRANTY OR AFFIRMATION OF FACT, EXPRESSED OR IMPLIED, OTHER THAN AS STATED IN THE "LIMITED WARRANTY" ABOVE IS MADE OR AUTHORIZED BY DAYTON.

PRODUCT SUITABILITY. MANY JURISDICTIONS HAVE CODES AND REGULATIONS GOVERNING SALES, CONSTRUCTION, INSTALLATION, AND/OR USE OF PRODUCTS FOR CERTAIN PURPOSES, WHICH MAY VARY FROM THOSE IN NEIGHBORING AREAS. WHILE ATTEMPTS ARE MADE TO ASSURE THAT DAYTON PRODUCTS COMPLY WITH SUCH CODES, DAYTON CANNOT GUARANTEE COMPLIANCE, AND CANNOT BE RESPONSIBLE FOR HOW THE PRODUCT IS INSTALLED OR USED. BEFORE PURCHASE AND USE OF A PRODUCT, REVIEW THE SAFETY/SPECIFICATIONS, AND ALL APPLICABLE NATIONAL AND LOCAL CODES AND REGULATIONS, AND BE SURE THAT THE PRODUCT, INSTALLATION, AND USE WILL COMPLY WITH THEM.

CONSUMERS ONLY. CERTAIN ASPECTS OF DISCLAIMERS ARE NOT APPLICABLE TO CONSUMER PRODUCTS SOLD TO CONSUMERS; (A) SOME JURISDICTIONS DO NOT ALLOW THE EXCLUSION OR LIMITATION OF INCIDENTAL OR CONSEQUENTIAL DAMAGES, SO THE ABOVE LIMITATION OR EXCLUSION MAY NOT APPLY TO YOU; (B) ALSO, SOME JURISDICTIONS DO NOT ALLOW A LIMITATION ON HOW LONG AN IMPLIED WARRANTY LASTS, SO THE ABOVE LIMITATION MAY NOT APPLY TO YOU; AND (C) BY LAW, DURING THE PERIOD OF THIS LIMITED WARRANTY, ANY IMPLIED WARRANTIES OF MERCHANTABILITY OR FITNESS FOR A PARTICULAR PURPOSE APPLICABLE TO CONSUMER PRODUCTS PURCHASED BY CONSUMERS, MAY NOT BE EXCLUDED OR OTHERWISE DISCLAIMED.

THIS LIMITED WARRANTY ONLY APPLIES TO UNITED STATES PURCHASERS FOR DELIVERY IN THE UNITED STATES.

WARRANTY SERVICE

To obtain warranty service if you purchased the covered product directly from W.W. Grainger, Inc. ("Grainger"), (i) write or call or visit the local Grainger branch from which the product was purchased or another Grainger branch near you (see www.grainger.com for a listing of Grainger branches); or (ii) contact Grainger by going to www.grainger.com and clicking on the "Contact Us" link at the top of the page, then clicking on the "Email us" link; or (iii) call Customer Care (toll free) at 1-888-361-8649. To obtain warranty service if you purchased the covered product from another distributor or retailer, (i) go to www.grainger.com for Warranty Service; (ii) write or call or visit a Grainger branch near you; or (iii) call Customer Care (toll free) at 1-888-361-8649. In any case, you will need to provide, to the extent available, the purchase date, the original invoice number, the stock number, a description of the defect, and anything else specified in this Dayton One-Year Limited Warranty. You may be required to send the product in for inspection at your cost. You can follow up on the progress of inspections and corrections in the same ways. Title and risk of loss pass to buyer on delivery to common carrier, so if product was damaged in transit to you, file claim with carrier, not retailer, Grainger or Dayton. For warranty information for purchasers and/or delivery outside the United States, please use the following applicable contact information:

Dayton Electric Mfg. Co.,
100 Grainger Parkway, Lake Forest, IL 60045 U.S.A.
or call +1-888-361-8649