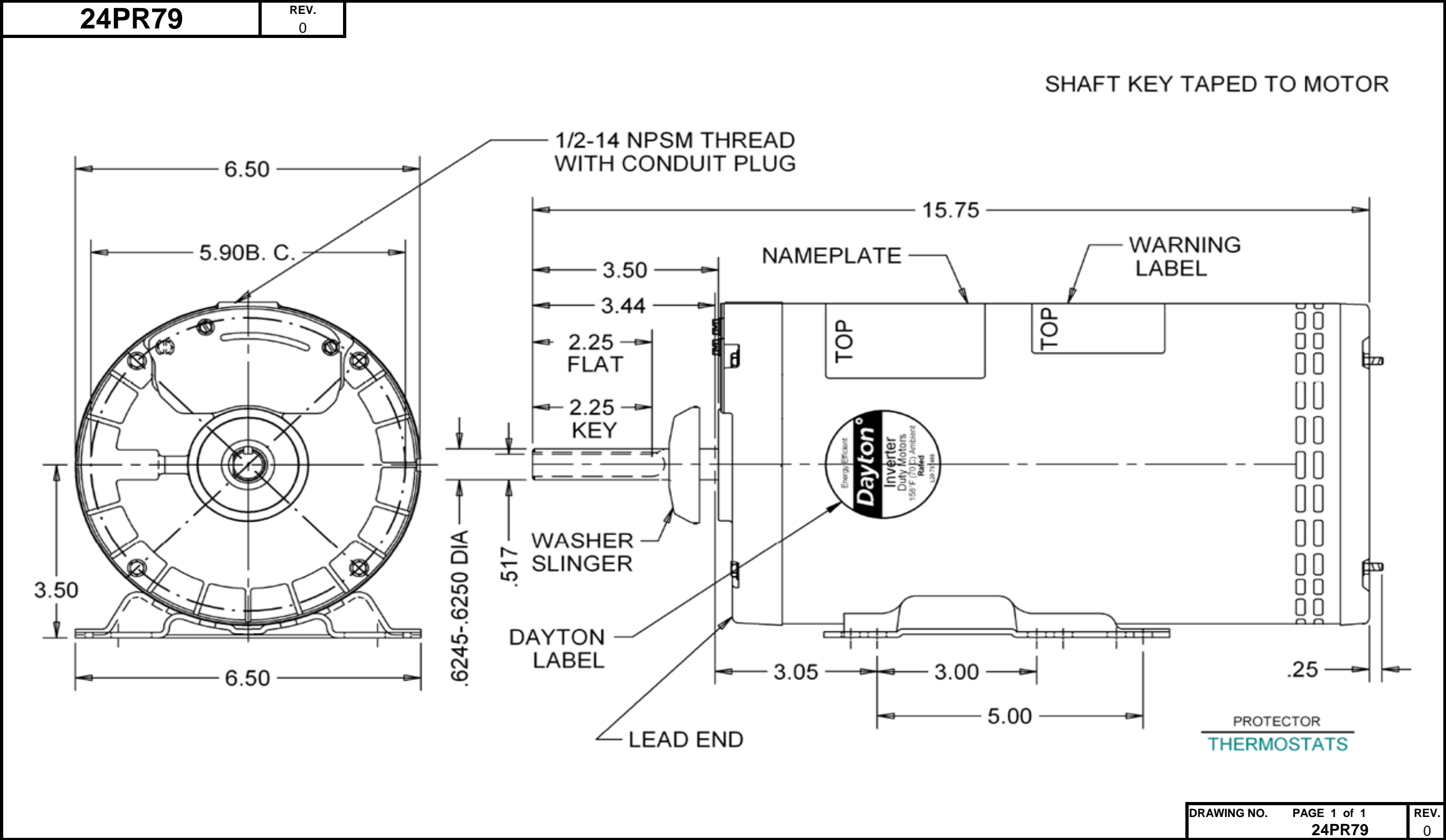


Dimensional Drawing



Dayton Electric Mfg. Co. Lake Forest, IL 60045 USA

©2019 W.W. Grainger, Inc. This design may not be reproduced, modified or redistributed without written permission from W.W. Grainger, Inc.

Performance Data



24PR79

REV.
-

MOTOR PERFORMANCE

MODEL NO.	CATALOG NO.	PHASE	TYPE	FRAME
24PR79	24PR79	3	DI	56YZ

ORDER NO.	NA	LINE NO.
-----------	----	----------

MPI:		136182	136183	136184
HP:		1.5	1.5	1.5
POLES:		8	8	8
VOLTS:		460	230	208
HZ:		60	60	60
SERVICE FACTOR:		1.15	1.15	1
EFFICIENCY (%):				
	S.F.	70.6	70.6	
	FULL	74	74	70
	3/4	75.6	75.6	75.7
	1/2	73.1	73.1	75.3
	1/4	61.6	61.6	65.9
POWER FACTOR (%):				
	S.F.	66.1	66.1	
	FULL	61.3	61.3	67.4
	3/4	51.8	51.8	58
	1/2	39	39	44.8
	1/4	24.4	24.4	27.7
	NO LOAD	7.6	7.6	7.7
	LOCKED ROTOR	52.3	52.3	50.7
AMPS:				
	S.F.	3.5	6.9	
	FULL	3.1	6.2	6.6
	3/4	2.7	5.4	5.3
	1/2	2.5	4.9	4.6
	1/4	2.3	4.7	4.2
	NO LOAD	2.4	4.8	4.3
	LOCKED ROTOR	10.9	21.7	19.1
NEMA CODE LETTER		G	G	E
NEMA DESIGN LETTER		B	B	B
FULL LOAD RPM		835	835	800
NEMA NOMINAL EFFICIENCY (%)		74	74	70
GUARANTEED EFFICIENCY (%)		70	70	66
MAX KVAR		1.6	1.6	1.3
AMBIENT (°C)		40	40	40
ALTITUDE (FASL)		3300	3300	3300
SAFE STALL TIME-HOT (SEC)		30	30	30
SOUND PRESSURE (DBA @ 1M)		0	0	0
TORQUES:				
	BREAKDOWN{% F.L.}	238	238	189
	LOCKED ROTOR{% F.L.}	174	174	133
	FULL LOAD{LB-FT}	9.5	9.5	9.8

The Above Data Is Typical, Sinewave Power Unless Noted Otherwise

DRAWING NO.	PAGE 1 of 1	REV.
	24PR79	-

Dayton Electric Mfg. Co. Lake Forest, IL 60045 USA

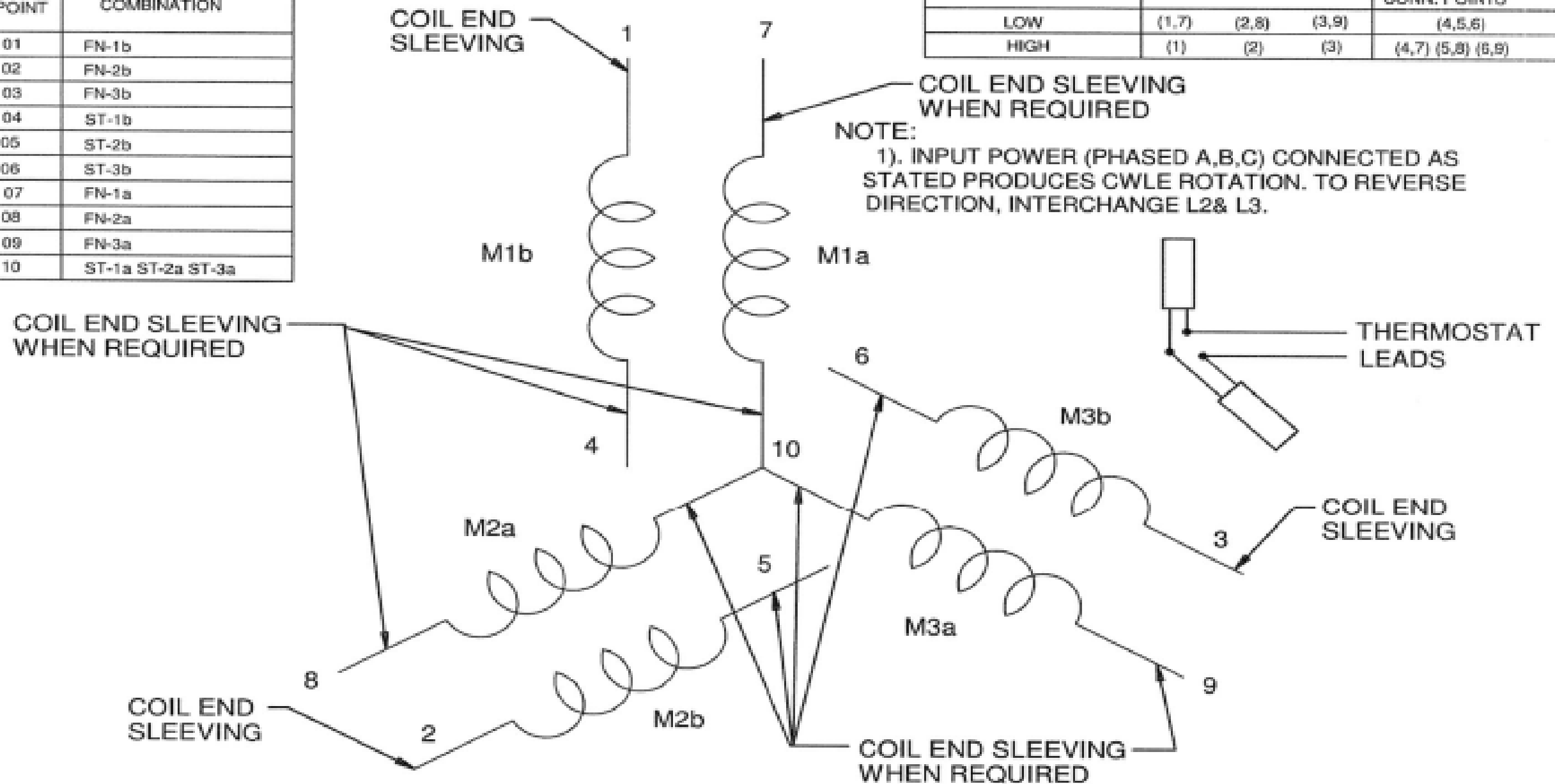
Wiring Diagram

24PR79

REV.
0

D04 CONN POINT	CONNECTION COMBINATION
01	FN-1b
02	FN-2b
03	FN-3b
04	ST-1b
05	ST-2b
06	ST-3b
07	FN-1a
08	FN-2a
09	FN-3a
10	ST-1a ST-2a ST-3a

INPUT VOLTAGE	L1	L2	L3	JOIN CONN. POINTS
LOW	(1,7)	(2,8)	(3,9)	(4,5,6)
HIGH	(1)	(2)	(3)	(4,7) (5,8) (6,9)



DRAWING NO. PAGE 1 of 1 REV.
24PR79 0

Dayton®

Part
No.

24PR79

CONDENSER FAN MOTOR

HP: 1 1/2

PH: 3

VOLTS: 208 - 230 / 460

HZ: 60

AMPS: 7.2 - 7.2 / 3.6

FR: 56YZ

RPM: 850

INS CL: F

DUTY: **CONT**

AMB: 60 °C

SF: 1.15

SFA:

KVA CODE: **K**

ENCL: **OPAO**

MTR REF: **DX60**

THERMOSTATS PROT. CODE **7A073**

ID #

S.F. AT 208 VOLTS IS 1.0

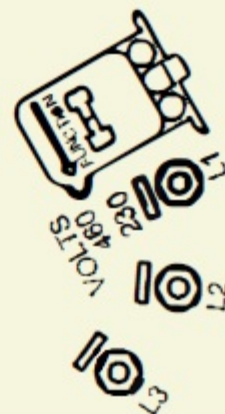
MFG NO

Disconnect Power Before Making Any Electrical
Connections or Changes

CONNECTIONS

460 VOLTS

230 VOLTS



(2) BLACK LEADS - THERMOSTAT
TO REVERSE ROTATION INTERCHANGE
ANY TWO LINE LEADS



Mfd for Dayton Electric Mfg. Co., Lake Forest, IL 60045 USA

MADE IN MEXICO