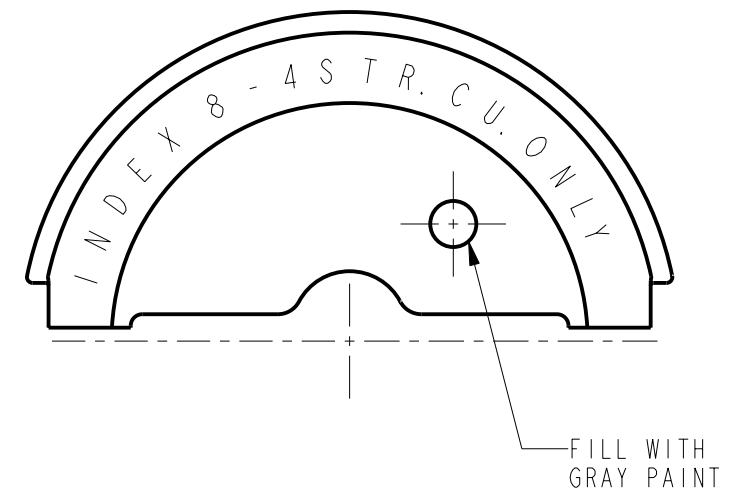
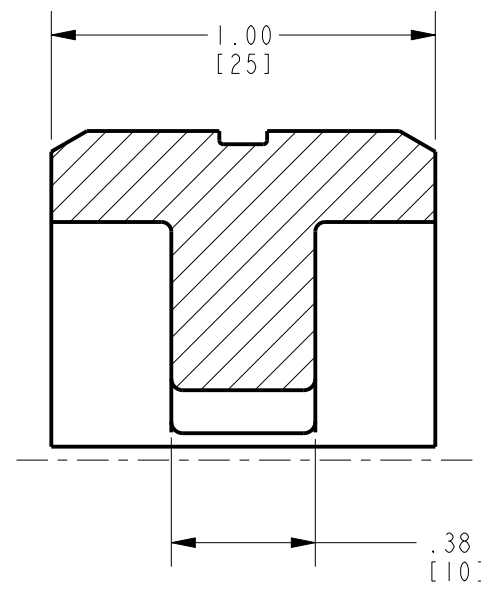
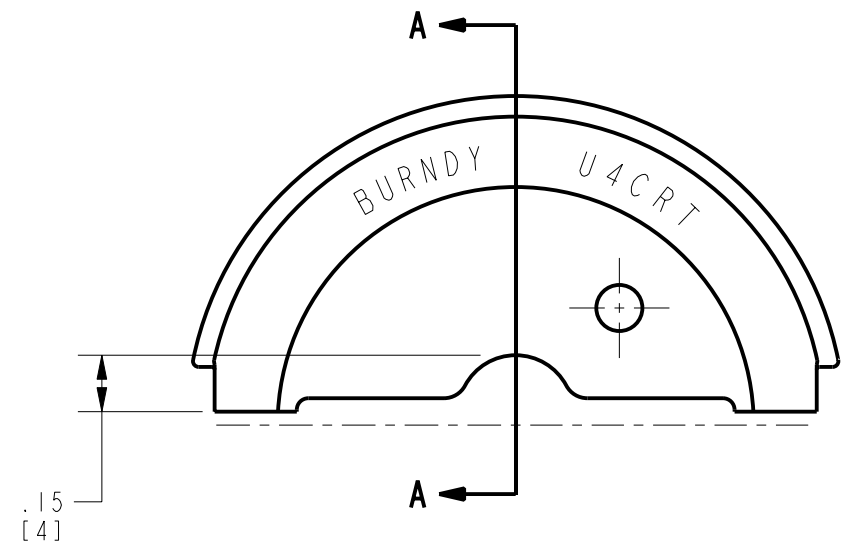
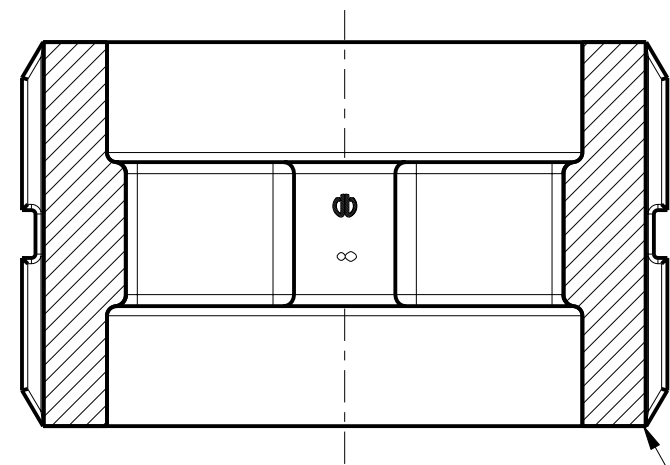


REV.	DATE	DESCRIPTION	ECO	BY	C'H'K.
A	6/15/2009 9:00:00 AM	NEW SALES DRAWING RELEASE	18356	1A	JG



SECTION A-A



BUTTING SURFACES TO MATING DIES

NOTES:

1. DIMENSIONS IN BRACKETS [] ARE IN MILLIMETERS ROUNDED OFF TO THE NEAREST MILLIMETER, UNLESS OTHERWISE SPECIFIED, AND ARE FOR REFERENCE ONLY.
2. DIE INSPECTION GAUGE CATALOG NUMBER (CUSTOMER & ENGINEERING USE ONLY): UPG-8.
3. 4/0 STR. & SMALLER, THE SAME DIES WILL CRIMP CLASS "B" THRU "M" STRANDING.
4. MATERIAL: STAINLESS STEEL.

TO ORDER BURNDY® PRODUCTS CALL
 UNITED STATES:
 1-800-346-4175 (LONDONDERRY, NH)
 CANADA:
 1-800-361-6975 (QUEBEC)
 1-800-387-6487 (ALL OTHER PROVINCES)
 FOR PRODUCT INFO: <http://www.burndy.com>

CIRCULAR BUTTING TWIN DIE		SCALE: 2:1	
ITEM NO: 421385		DRAWING NO	REV
CAT. NO: U4CRT		10102813	A
DRAWN BY: I. ANBALAGAN	06/13/09		
CHECKER: --	--		
DSN APPVL: --	--		
MFG APPVL: --	--		
QA APPVL: --	--		
MKT APPVL: --	--	SHEET 1 OF 1	
PROD FAM: TOOLS-HYDRAULIC/U-DIES	SIZE: B		
PROJECT #: --			
DOCUMENT TYPE: Sales			
REL LEVEL: Released			

REV: PE0200