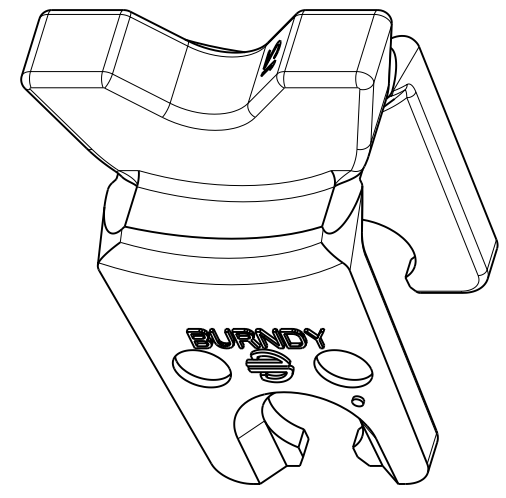
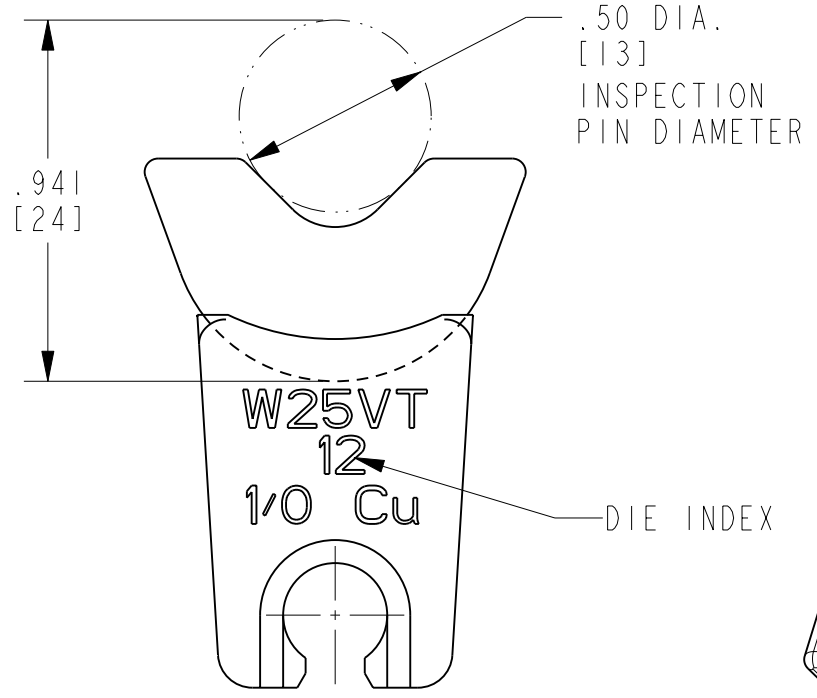
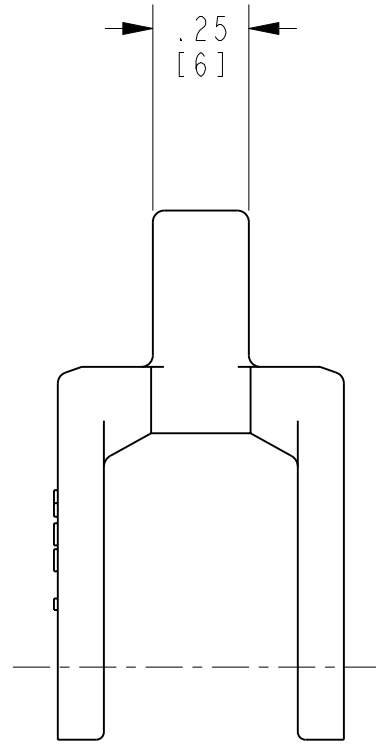
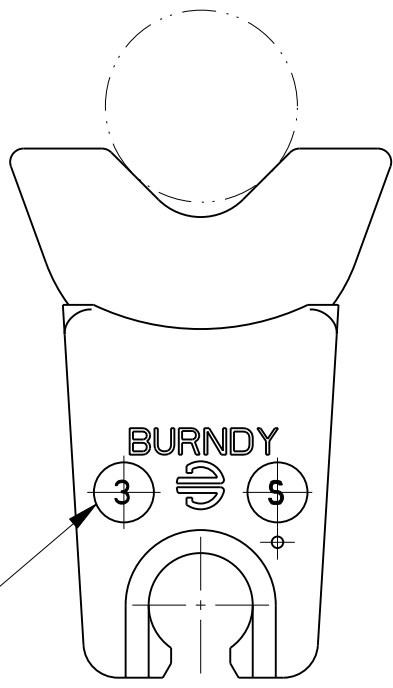
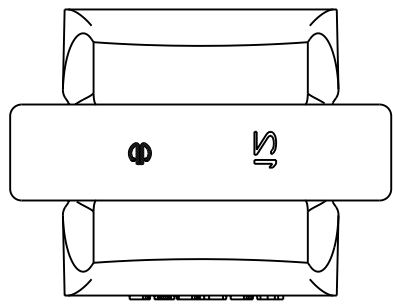


REV.	DATE	DESCRIPTION	ECO	BY	C'H'K.
B	03/18/2015 00:00:00 AM	UPDATED AS PER MARKUP	37620	MG	RM



- NOTES:
1. DIMENSIONS IN BRACKETS [ ] ARE IN MILLIMETERS ROUNDED OFF TO THE NEAREST MILLIMETER, UNLESS OTHERWISE NOTED, AND ARE FOR REFERENCE ONLY.
  2. MATERIAL: STAINLESS STEEL
  3. CATALOG NUMBER CONSIST OF TWO DIE HALVES.

TO ORDER BURNDY® PRODUCTS CALL		W-DIES	
UNITED STATES: 1-800-346-4175 (LONDONDERRY, NH)		ITEM NO: --	3
CANADA: 1-800-361-6975 (QUEBEC) 1-800-387-6487 (ALL OTHER PROVINCES)		CAT. NO: W25VT	
FOR PRODUCT INFO: <a href="http://www.burndy.com">http://www.burndy.com</a>		DRAWN BY: M RAJASEKAR 6/11/2009	
		CHECKER: R RICK 7/13/2009	
		DSN APPVL: R RICK 7/13/2009	
		MFG APPVL: S HOPPS 8/11/2009	
		QA APPVL: A CHARLES 7/15/2009	
		MKT APPVL: P ROBERT 7/09/2009	
		PROD FAM: TOOLS_MECHANICAL	SCALE: 2:1
		PROJECT #: --	DRAWING NO
		DOCUMENT TYPE: Sales	10102370
		REL LEVEL: Released	B
			SHEET 1 OF 1

REV: PE0200