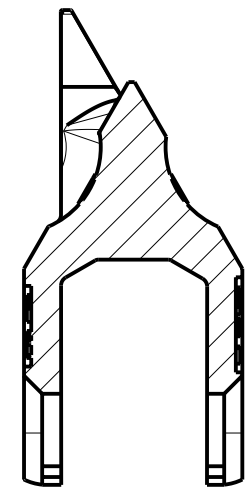
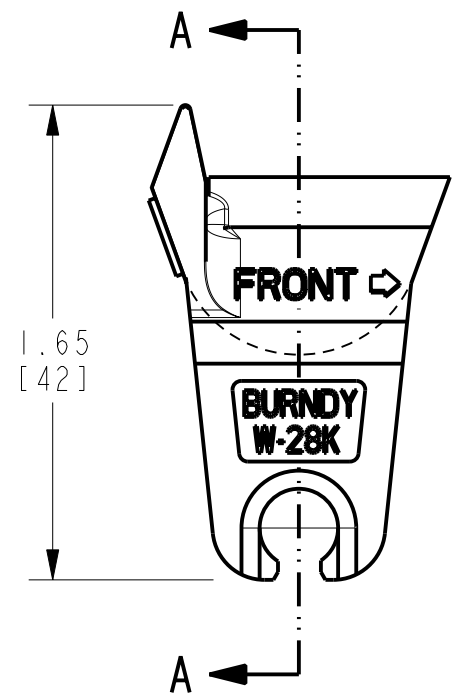
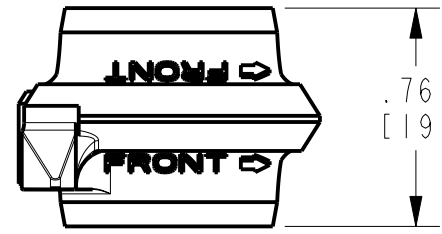
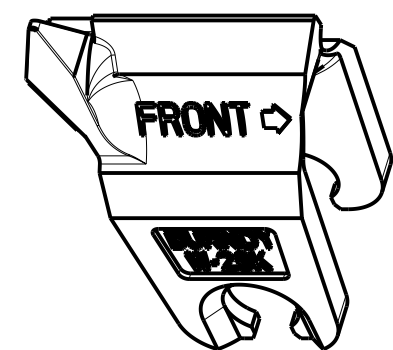
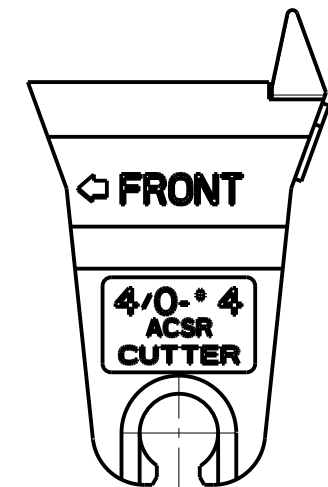


REV.	DATE	DESCRIPTION	ECO	BY	C'H'K.
A	2011-01-17 04:00:00 EST	NEW SALES DRAWING RELEASE	25405	JG	LB



SECTION A-A



NOTES:

- DIMENSIONS IN BRACKETS [ ] ARE IN MILLIMETERS, ROUNDED OFF TO THE NEAREST MILLIMETER UNLESS OTHERWISE NOTED. METRIC DIMENSIONS ARE FOR REFERENCE ONLY.

TO ORDER BURNDY® PRODUCTS CALL  
 UNITED STATES:  
 1-800-346-4175 (LONDONDERRY, NH)  
 CANADA:  
 1-800-361-6975 (QUEBEC)  
 1-800-387-6487 (ALL OTHER PROVINCES)  
 FOR PRODUCT INFO: <http://www.burndy.com>

CABLE CUTTER			
ITEM NO:	--		
CAT. NO:	W28K		
DRAWN BY:	JYAGANESH S	08/17/2011	<b>BURNDY</b>
CHECKER:	B. LARRY	08/19/11	
DSN APPVL:	B. LARRY	08/19/11	
MFG APPVL:	--	--	
QA APPVL:	B. JOE	08/19/11	
MKT APPVL:	P. RPBERT	08/19/11	SCALE: 3:2
PROD FAM:	Mechanical_Tools\w-dies	DRAWING NO	REV
PROJECT #:	--	SIZE	30018915
DOCUMENT TYPE:	Sales	B	A
REL LEVEL:	Released		SHEET 1 OF 1

REV: PE0200