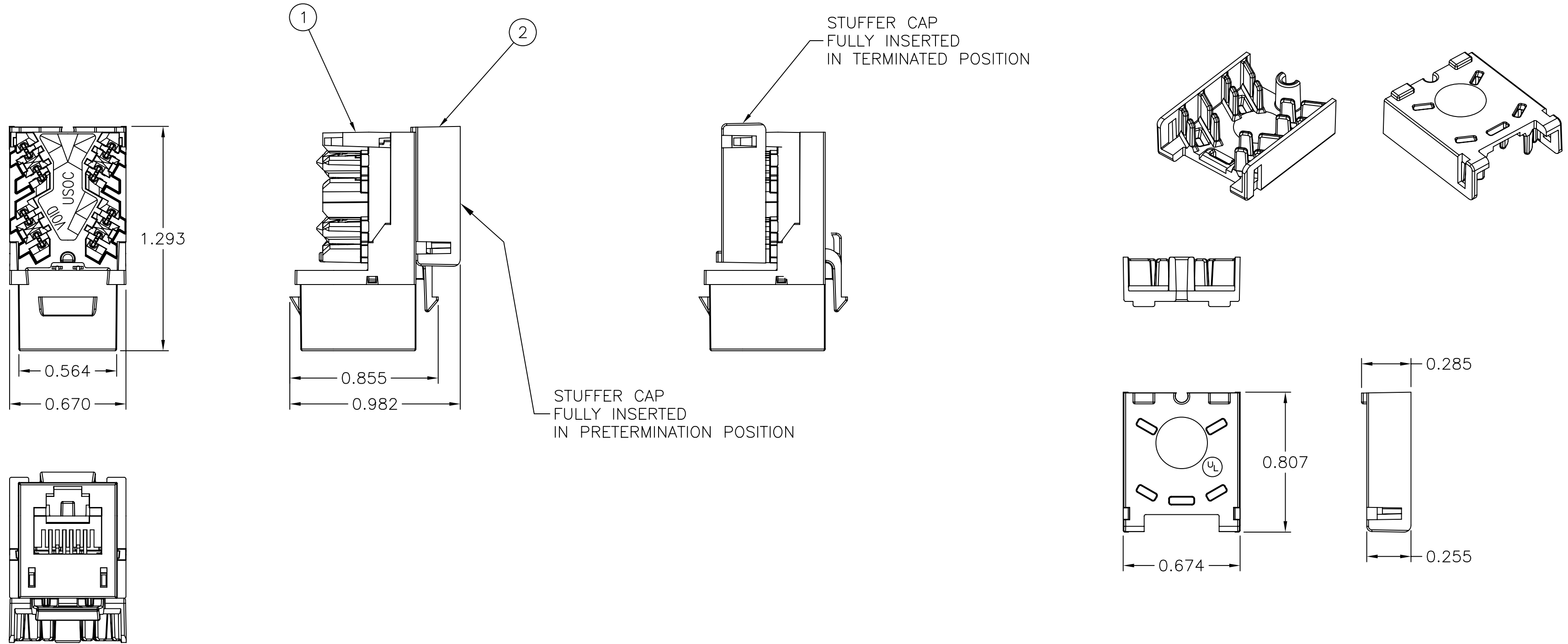
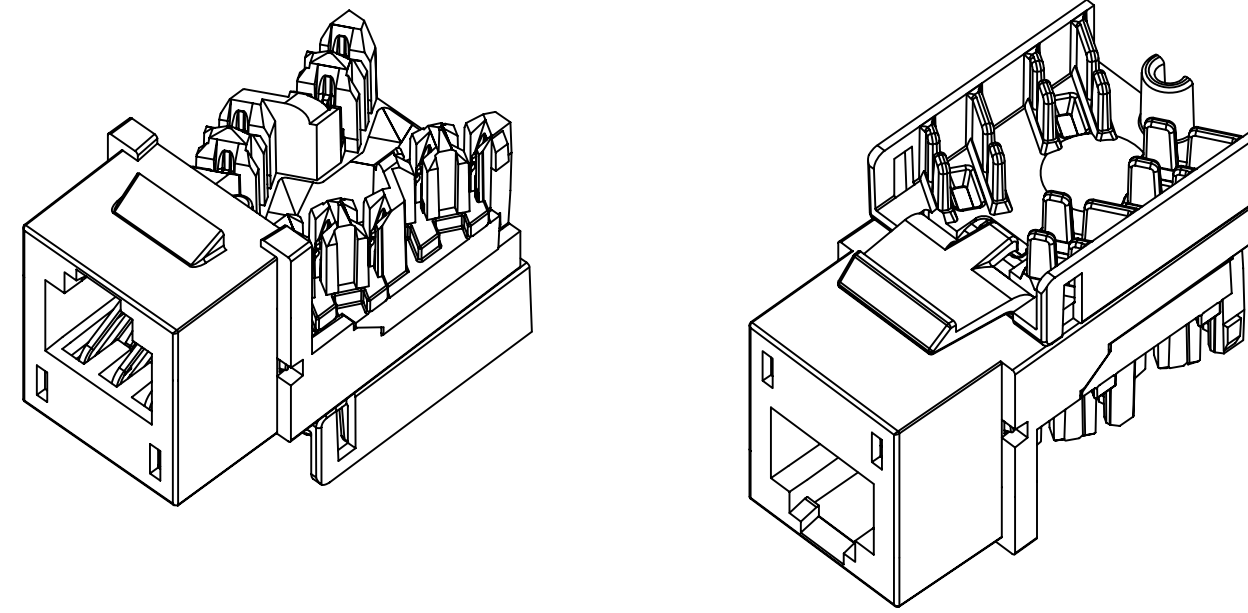


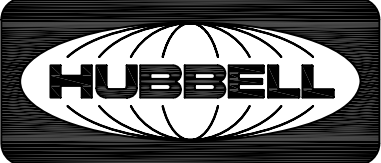
ITEM NO.	DESCRIPTION	QTY.
1	XCELERATOR HXJU SERIES JACKS	1
2	STUFFER CAP	1

CATALOG NUMBER 25PK	CATALOG NUMBER	COLOR	LASER MARKING
N/A	HXJUB	BLUE	XUB
N/A	HXJUBK	BLACK	XUBK
N/A	HXJUEI	ELECTRIC IVORY	XUEI
N/A	HXJUGN	GREEN	XUGN
N/A	HXJUGY	GRAY	XUGY
HXJUOW25	HXJUOW	OFFICE WHITE	XUOW
N/A	HXJUR	RED	XUR
N/A	HXJUOR	ORANGE	XUOR
N/A	HXJUTI	TELCO IVORY	XUTI
N/A	HXJUW	WHITE	XUW
N/A	HXJUY	YELLOW	XUY
N/A	HXJUAL	ALMOND	XUAL
N/A	HXJULA	LIGHT ALMOND	XUOW



NOTES
UNLESS OTHERWISE SPECIFIED:

1. UL LISTED: E129878
2. CSA CERTIFIED: LR 80837
3. NOSE CONTACTS ARE BERYLLIUM COPPER WITH FCC COMPLIANT PRECIOUS METAL PLATING IN THE MATING AREA
4. IDC CONTACTS ARE RoHS COMPLIANT TIN PLATED
5. ALL CONTACTS ARE UNDERPLATED IN NICKEL
6. SPECIFICATIONS SUBJECT TO CHANGE WITHOUT NOTICE

Created on AUTOCAD	DIMENSIONING AND TOLERANCE PER ANSI Y14.5M-1982 UNLESS OTHERWISE SPECIFIED, DIMENSIONS ARE IN INCHES (MM). TOLERANCES .XX = ±.01 (.25) .XXX = ±.005 (.127) .XXXX = ±.0025 (.0635) ANGLE TOL ±1°		PROJECT REFERENCE:		 Hubbell Premise Wiring HUBBELL INCORPORATED (Delaware) 14 Lord's Hill Road, Stonington, Connecticut 06378
	IN ACCEPTING OUR DRAWINGS, BLUEPRINTS, OR SUPPORTING DOCUMENTATION FOR QUOTATION OR OTHER PURPOSES, YOU AGREE NOT TO DISCLOSE TO OTHERS THE IDEAS, INFORMATION, OR DESIGNS SHOWN HEREIN, AND THAT YOU WILL MAKE NO USE OF SAME WITHOUT PERMISSION		MATERIAL:		
			DRAWN BY: P.S.MAGUIRE 03/01/2001		TITLE: XCELERATOR HXJU SERIES JACKS (6 POSITION)
			CHECKED BY: H. McGREGOR 03/07/2001		SIZE: C DRAWING NO. C11297 REV. F
		APPROVED BY: H. McGREGOR 03/07/2001		SCALE: 2/1 SHEET 1 OF 1	

REV.	ECN	DATE	DESCRIPTION	CHG BY	APPD BY
F	6552	3/9/09	UPDATED NOTES #3 AND #4	CG	