

Straight Blade Devices 15A, 125V, 2 Pole, 2 Wire Non-Grounding Valise® Plug

HUBBELL

Features

- Hinged one piece body design for easy assembly
- Two captive multiple drive assembly screws
- Powerful cord grips prevent conductor slippage and strain
- Polarized blades

Ordering Information

Description	Cord Diameter	UPC	Catalog Number
Yellow nylon, polarized)	.218"-.385"(5.5-9.8	783585013077	HBL5866VY



Listings

UL Listed to UL498 File E1706
CSA Certified to C22.2 No. 42 File 280C
NEMA® WD-6 Compliant

Specifications

Housing	Nylon
Blades	Brass
Assembly Screws	Plated Steel
Cable Inserts	PPO
Terminal Screws	Brass
Terminal Clamp	Nickel plated steel
Assembly Screws	Plated steel

Performance

Electrical

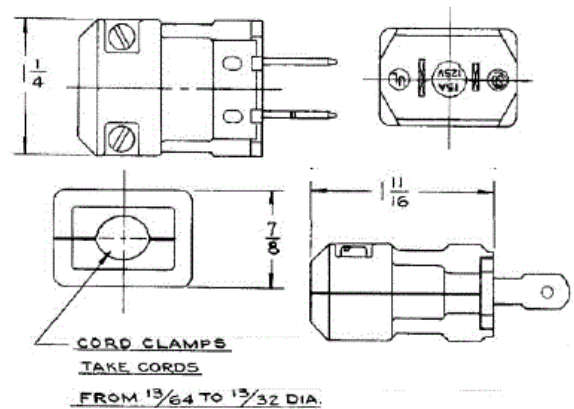
Current Interrupting Certified for current interrupting at full rated current
Dielectric Voltage Withstands 2,000V minimum

Mechanical

Product Identification Molded Rating on Device Face
Terminal Accommodation #18-#14 AWG stranded copper wire only
Terminal Identification Terminals identified in accordance with UL 498 and CSA

Environmental

Flammability UL 94 HB
IP Suitability IP20
Operating Temperatures Maximum continuous 75°C; minimum -40°C (w/o impact)



Resources

Customer Use Drawing
eCatalog

Dimensions in Inches (mm)

Hubbell Wiring Device-Kellems • Hubbell Incorporated (Delaware) • 40 Waterview Drive • Shelton, CT 06484

Phone (800) 288-6000 • Fax (800) 255-1031 • Specifications subject to change without notice.

