

Straight Blade Devices

15A, 250V, 2 Pole, 3 Wire Grounding

Heavy Duty Specification Grade Single Receptacle

HUBBELL

Features

- One-piece brass integral ground strap
- Unique bypass contact design



15A 250V
NEMA 6-15R
UL CSA
1.5 HP



Ordering Information

Description	Device Color	UPC	Catalog Number
Flush, back and side	Brown	783585013992	HBL5661

Listings

UL Listed to UL498 File No. E2186
Certified to CSA 22.2, No. 42 File 285
NEMA® WD-6 Compliant
NEMA® WD-6 Compliant

Specifications

Face	Nylon
Base	PBT
Power Contacts	.037 in. (.9) Brass
Ground Contact	Brass
Mounting Strap	.050" (1.3) Brass
Auto Self-grounding Clip	Stainless steel
Mounting Screws	Zinc plated steel

Performance

Electrical

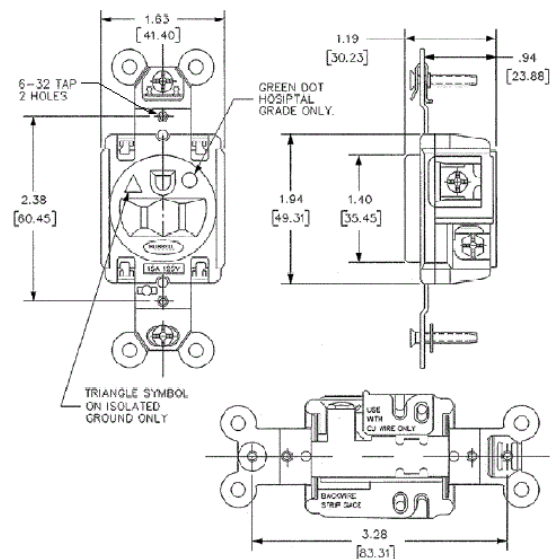
Current Interrupting Certified for current interrupting at full rated current
Dielectric Voltage Withstands 2,000V minimum

Mechanical

Product Identification Ratings are a permanent part of the device
Terminal Accommodation #12-#10 AWG copper stranded or solid conductor only
Terminal Identification Terminals identified in accordance with UL 498 and CSA

Environmental

Flammability Top: UL 94V-2, Base: UL 94V-0
Operating Temperatures Maximum continuous 75°C; minimum -40°C (w/o impact)



Online Resources

Customer Use Drawing
eCatalog
Installation Instructions

Accessories

Wallplate or Weatherproof Cover

1.40" Opening

Dimensions in Inches (mm)

Hubbell Wiring Device-Kellems • Hubbell Incorporated (Delaware) • 40 Waterview Drive • Shelton, CT 06484

Phone (800) 288-6000 • Fax (800) 255-1031 • Specifications subject to change without notice.

