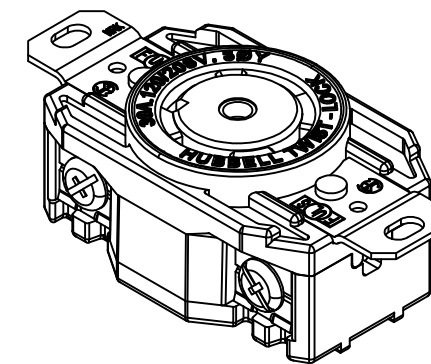


LIST OF PARTS		
DESCRIPTION	MATERIAL	FINISH
BASE	POLYESTER	TAN
COVER	NYLON	BLACK
CONTACT SPRINGS	.040 BRASS	
CLAMP	.040 BRASS	
BINDING SCREWS	BRONZE	*
HEX. HD. BIND. SCREW	BRONZE	GREEN
BACK PLATE	.040 BRASS	
END PLATE	.050 BRASS	
RIVET	BRASS	
GR. CLAMP	STEEL	**Ni. PLATE



**CATALOG NO. HBL2810  
(NOT SHOWN TO SCALE)**

CAT. NO.	CONFIGURATION	RATING	RATING RING COLOR
HBL2810 HBL2810RT	NEMA L21-30R	30A 120/208V3ØY	BLUE
HBL2820	NEMA L22-30R	30A 277/480V3ØY	RED
HBL2830	NEMA L23-30R	30A 347/600V3ØY	---
HBL2800	NEMA L26-30R	30A 3ØY 240/415VAC	RED

**NOTES:**

- CATALOG NUMBERS WITH SUFFIX "RT" ARE CSA CERTIFIED AND UL RECOGNIZED FOR USE WITH RING TERMINALS.
- CONDUCTOR RANGE: #14 AWG TO #8 AWG.
- ALL DIMENSIONS ARE IN INCHES [mm].
- \* WHITE FINISH ON NEUTRAL SCREW WHEN USED.
- \*\* USED ON FIVE WIRE DEVICES

REV	DESCRIPTION	APP	DATE
7	ADDED HBL2800 TO TABLE PER DCN 22357 JZW	TLS	8/30/16
6	REVISED PER DCN 22024 SPN	DJP	5/19/16
5	REDRAWN WITH EMBEDDED CAD MODEL WITH NO CHANGES TO PART GEOMETRY. PER DCN 21895 SPN	DJP	2/5/16

THE DESIGN AND DIMENSIONS OF THE PRODUCT SHOWN ON THIS DRAWING ARE SUBJECT TO CHANGE WITHOUT NOTICE

TITLE  
30A. 5-WIRE GROUNDING TWIST-LOCK RECEPTACLE

TOLERANCES UNLESS OTHERWISE SPECIFIED .XX = ± .01 .XXX = ± .005 ANGLES = ± 2'	WIRING DEVICE-KELLEMS HUBBELL INCORPORATED SHELTON, CT	
	DR. BY A.J.L.	APP. BY
	TR. BY	SCALE 1:1
	CHK. BY	DATE 1-22-1986