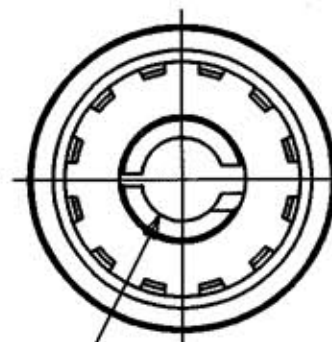
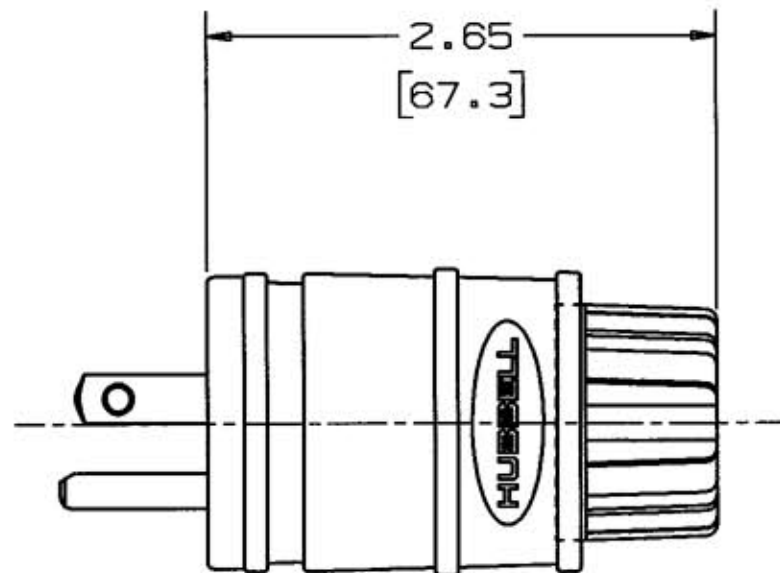
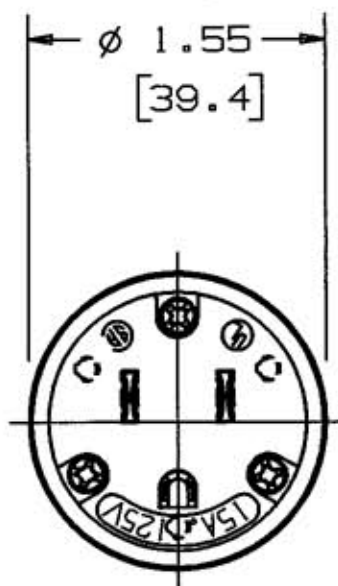


M-6399 2



CABLE CLAMP TAKES
CABLES FROM .300 TO .655
[7.6] [16.6]

CAT. NO.	CONFIGURATION	RATING
HBL14W47	NEMA 5-15P NON-LOCKING	15A.125V
HBL14W33	NEMA 5-20P NON-LOCKING	20A.125V
HBL24W47	NEMA L5-15P LOCKING	15A.125V

NOTES: (UNLESS OTHERWISE SPECIFIED)

1) DIMENSION FORMAT IS: INCHES
[mm]

2) DIMENSIONS SHOWN ON THIS DRAWING ARE
NOMINAL VALUES FOR GENERAL USE ONLY.
ACTUAL PART TOLERANCES MUST BE
OBTAINED FROM HUBBELL ENGINEERING.

LIST OF PARTS

DESCRIPTION	MATERIAL	FINISH
BLADE HOLDER	NYLON	NATURAL
RETAINER	LEXAN	AMBER
CONTACT BLADES	.060 BRASS	*
GR. CONTACT BLADE	.040 BRASS	
BINDING SCREWS	BRASS	*
GR HEX HD BIND'G SCR	BRASS	GREEN
WIRE CLAMPS	.062 STEEL	ZINC PLATE
SPACER	NYLON	NATURAL
GLAND	NEOPRENE	GRAY
NUT	NYLON	YELLOW
OUTER SLEEVE	VINYL	YELLOW

* WHITE FINISH ON NEUTRAL

SUPERSEDES DRAWING
DATED 5-2-84

2 ADDED DUAL DIMENSIONS;
"HBL24W47" WAS "24W47";
ADDED NOTES 1 & 2; "SEE
TABLE" WAS "SEE CHART";
PER DCN #8682.
JMN

T.C.M. 1/3/02

1 REDRAWN WITH CHANGES;
ADDED "HBL" TO 14W47
& 14W33; REMOVED "TURN
& PULL" FROM L.H. VIEW;
PER DCN #7037. JMN

6/9/00

SYM	REVISIONS	APP	DATE

THE DESIGN AND DIMENSIONS OF THE
PRODUCT SHOWN ON THIS DRAWING ARE
SUBJECT TO CHANGE WITHOUT NOTICE

TITLE
2 POLE 3 WIRE WATERTIGHT
ELASROMERIC PLUGS

TOLERANCES UNLESS OTHERWISE SPECIFIED	WIRING DEVICE-KELLEMS HUBBELL INCORPORATED BRIDGEPORT, CT	
FRACTIONS ±1/64	DR. BY A.Z.	APP. BY J.N.C.
DECIMALS ±.005	TR. BY J.M.N.	SCALE 1:1
ANGLES ±2°	CHK'D BY	DATE 6/9/00

DIMENSION SHEET FOR CAT. NO. SEE TABLE

REPAIRABLE

NON-REPAIRABLE

B

M-6399

2