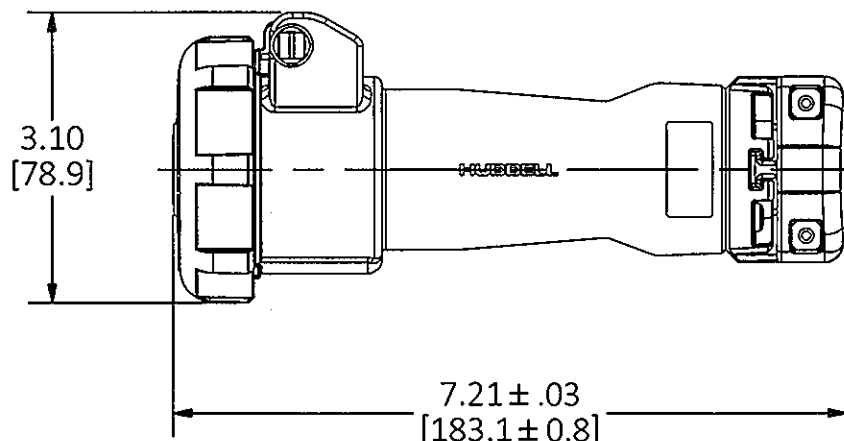
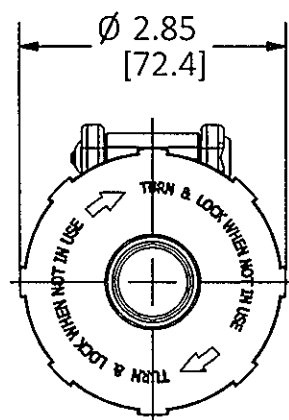


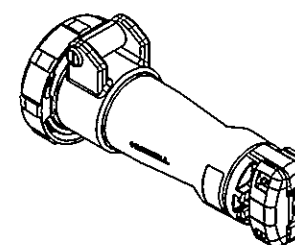
M-13301

1



CABLE DIA:  
.330 MIN  
[8.38 MM]

.830 MAX  
[21.08 MM]



CAT. NO.	CONFIG.	RATING	HOUSING COLOR
HBL320C4W		20A 125VAC	YELLOW
HBL316C4W		16A - 4h/100-130V~	YELLOW
HBL320C6W		20A 250VAC	BLUE
		16A - 6h/200-250V~	
HBL320C7W		20A 480VAC	RED

LIST OF PARTS		
DESCRIPTION	MATERIAL	FINISH
HOUSING	PBT	
INTERIOR	THERMOSET	
SLEEVES	BRASS	
SLEEVE SPRINGS	ST. STEEL	
TERMINAL SCR.	ST. STEEL	
COVER	PBT	
GASKET	CLOSED CELL FOAM	
HINGE ARM	PBT	
HINGE PIN	BRASS	NICKEL
HINGE SPRING	ST. STEEL	
GLAND CAP	PBT	
GLANDS	NEOPRENE	
CLAMPS	PBT	
CLAMP NUTS	BRASS	NICKEL
ASSY. SCREWS	ST. STEEL	

DIMENSION SHEET FOR CAT. NO. SEE TABLE

1	INITIAL RELEASE PER DCN 21982 Mr.B <i>Mr.B</i>	TLS	3/10/16
REV	DESCRIPTION	APP	DATE

THE DESIGN AND DIMENSIONS OF THE PRODUCT SHOWN ON THIS DRAWING ARE SUBJECT TO CHANGE WITHOUT NOTICE. DIMENSIONS ARE IN INCHES [mm].

TITLE  
16A & 20A 2 POLE 3 WIRE PIN AND SLEEVE CONNECTORS

WIRING DEVICE-KELLEMS  
HUBBELL INCORPORATED  
SHELTON, CT

TOLERANCES UNLESS OTHERWISE SPECIFIED .XX = ± .01 .XXX = ± .005 ANGLE TOL. ±2	DR. BY Mr.B	SCALE 1/2
	CHK. BY TLS	DATE 3/2/16

B

M-13301

1