

UNLESS OTHERWISE SPECIFIED DIMENSIONS WITHOUT TOLERANCES ARE REFERENCE ONLY

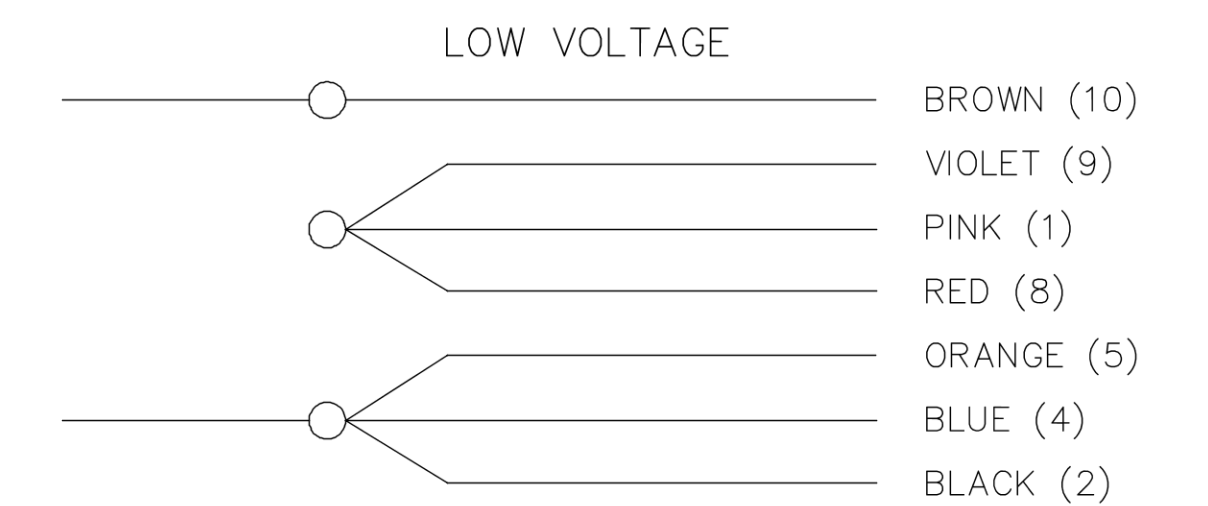
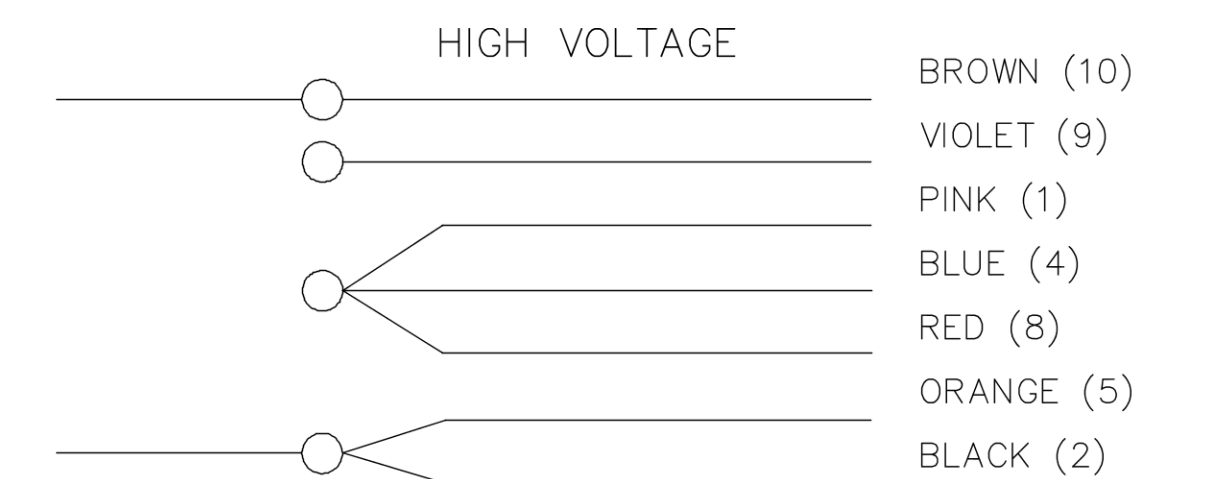
NOTES

- 1. CONDUIT BOX IS SUPPLIED AS UNASSEMBLED ITEM WITH MOTOR.

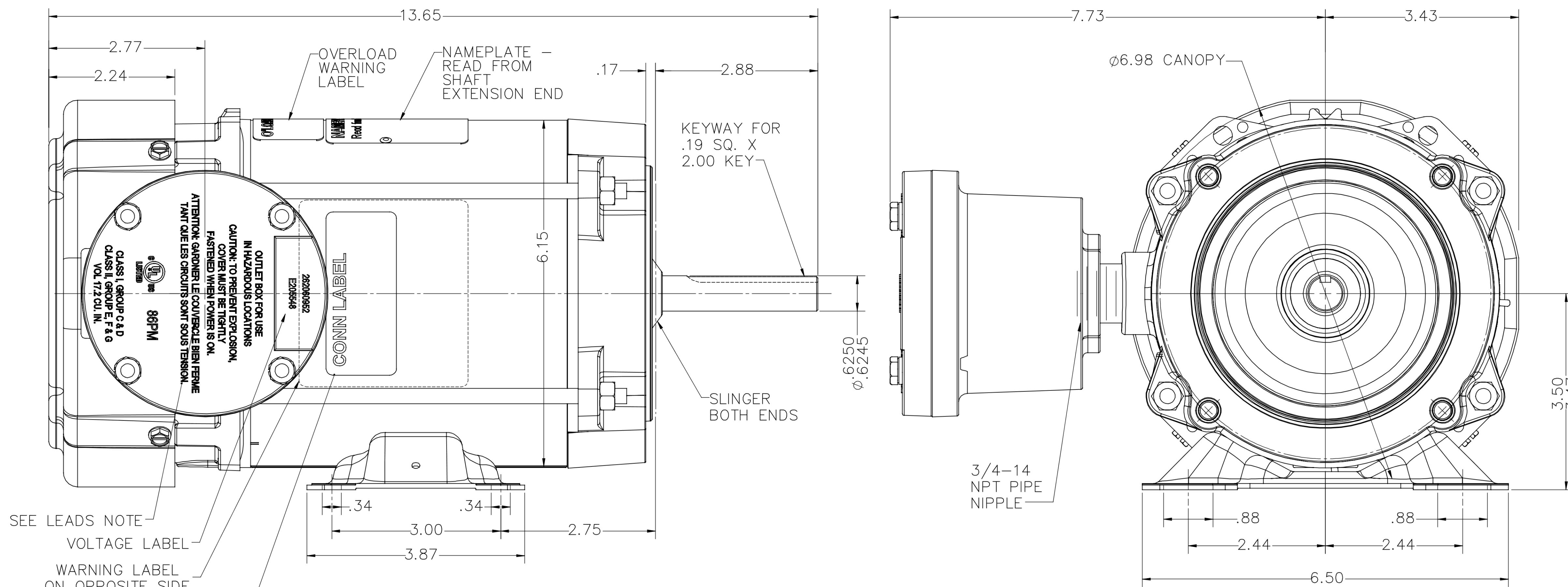
LEADS

24" +2-0" WITH .44" STRIPPING FROM CONDUIT HUB

EXTERNAL CONNECTIONS



TO REVERSE, INTERCHANGE ORANGE (5) AND RED (8)



MOTOR DATA

TYPE	CSIR	SHAFT MATERIAL	CRS	CUSTOMER NAME	GREENHECK FAN
HZ	60	FRAME	56	PHASE	1
VOLTS	115/208-230	ENCLOSURE	TEFC-XP	PAINT	GRAY
HP	0.25	ENVIRONMENT	NORMAL	BEARINGS	BALL
RPM	1140	I.P.CODE	IP54	END CAP	N/R
F.L. AMPS	5.6/2.6-2.8	NEMA NOM. EFF.	%	IE3	%
S.F. AMPS	-				
MOTOR IS LISTED FOR HAZARDOUS LOCATIONS				ASSEMBLY VOLTAGE	HIGH
TIME RATE	CONT	MAX AMB	50	CLASS	I - II
KVA CODE	M	INS CLASS	F	GROUP	C,D - E,F,G
				TEMP CODE	T3B
				VIEWING LEAD END	MOTOR ROTATION REV
					ASSEMBLY ROTATION CW
				WINDING AND TEST SPEC	330318
				DRAWN: GWB 09/11/20	RELEASED:
				APPROVED:	

ECN	REV	CHANGE DESCRIPTION	DATE/INITIALS

THE INFORMATION DISCLOSED HEREIN INCLUDES PROPRIETARY RIGHTS OF WEG. ANY REPRODUCTION OR TRANSFERRAL OF INFORMATION FROM THIS DOCUMENT IS FORBIDDEN WITHOUT PRIOR CONSENT.



SIZE	D	DWG NO.	1111017497
SCALE: 1:1	DO NOT SCALE DRAWING	SHEET 1 OF 1	

1111017497

Supplier Drawing. GH Part-Document Number: 3710462-00.pdf. Stamp date: 2020-10-14

GREENHECK