

Little GIANT®

2E-NDVR SERIES



Features

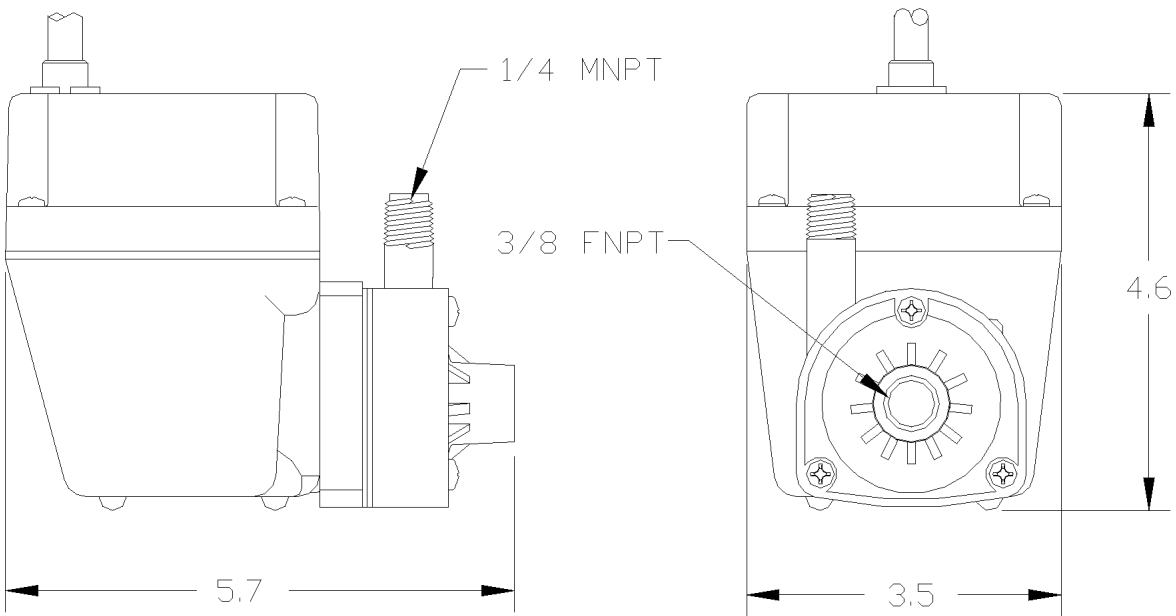
- Two Viton® shaft seals
- 1/2" barbed hose adapter included
- Motor — 1/40 HP
- Intermittent Liquid Temp. up to — 120° F
- Thermally protected
- Intake — 3/8" FNPT
- Discharge — 1/4" MNPT

Construction

- Housing — Epoxy coated aluminum
- Cover — Epoxy coated aluminum
- Volute — Nylon
- Impeller — Nylon
- Shaft Seal — Viton®

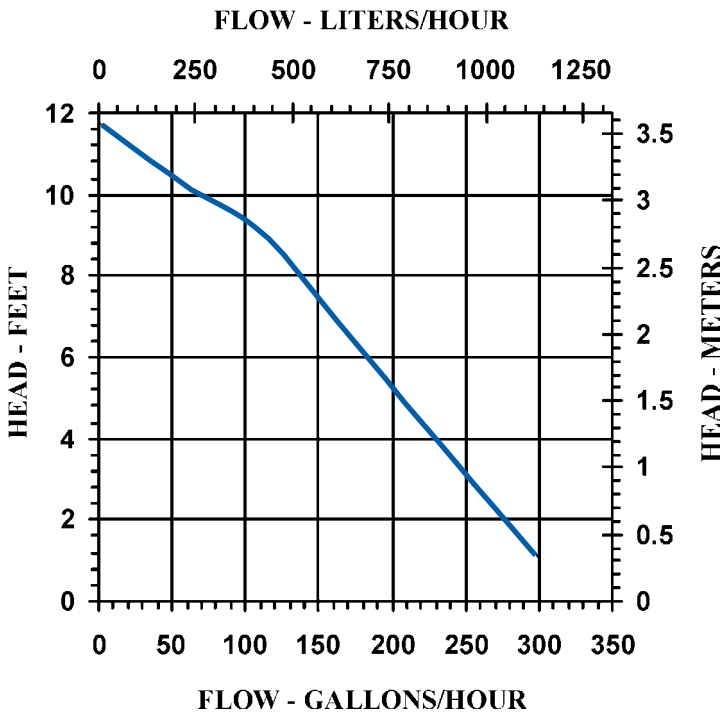
Double-Viton® seal acid pump. Can be used submerged when pumping water or machine oils and should be used in-line (not submerged) when pumping weak acids and chemicals, fruit juice, cleaning solvent, anti-freeze and fluids with a pH factor of 6 to 7. Nylon volute with a 3/8" FNPT intake (nylon 1/2" barbed hose adapter included) and 1/4" MNPT discharge. Stainless steel plate and motor shaft with inner and outer Viton® seals. Thermally protected motor.

2E-NDVR SERIES



Specifications

Model No.	Item No.	Discharge Size	Listing	HP	Volts	Hertz	Amps	Watts	Performance (GPH @ Head)			Shut Off		Pwr. Cord (ft.)	Weight (lbs.)
									1'	3'	5'	Feet	PSI		
2E-NDVR	502303	1/4" MNPT	—	1/40	115	60	1.7	100	300	255	205	11.8	5.1	6	5.00



Replacement Parts

Volute	102334
Impeller	102437
O-Ring	924005
Gasket	102601