


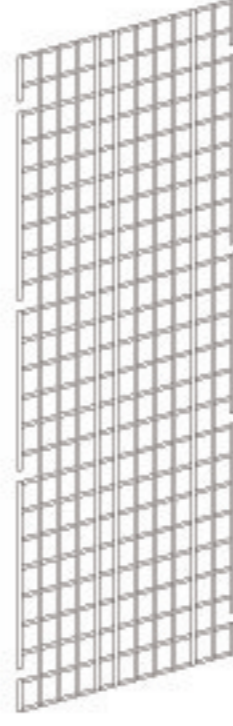


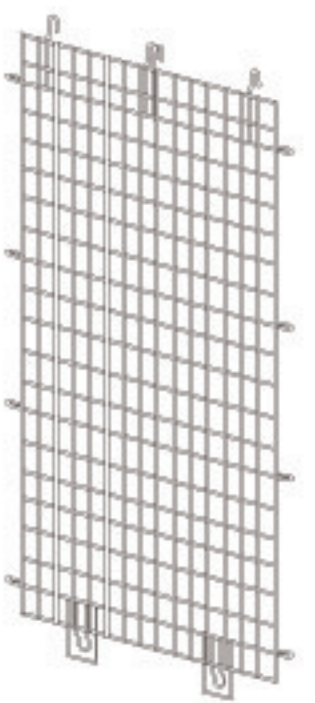









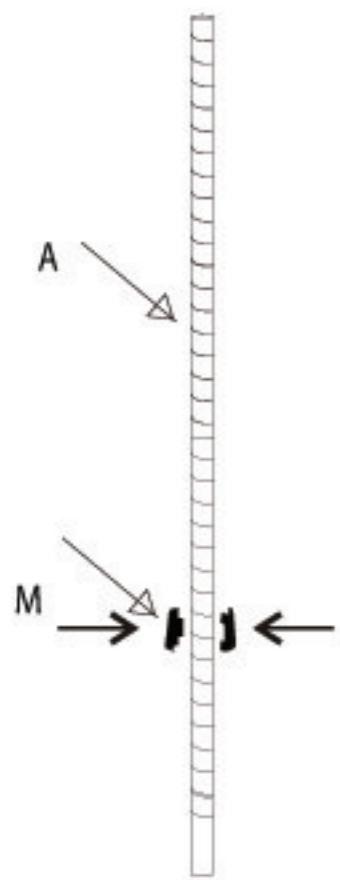
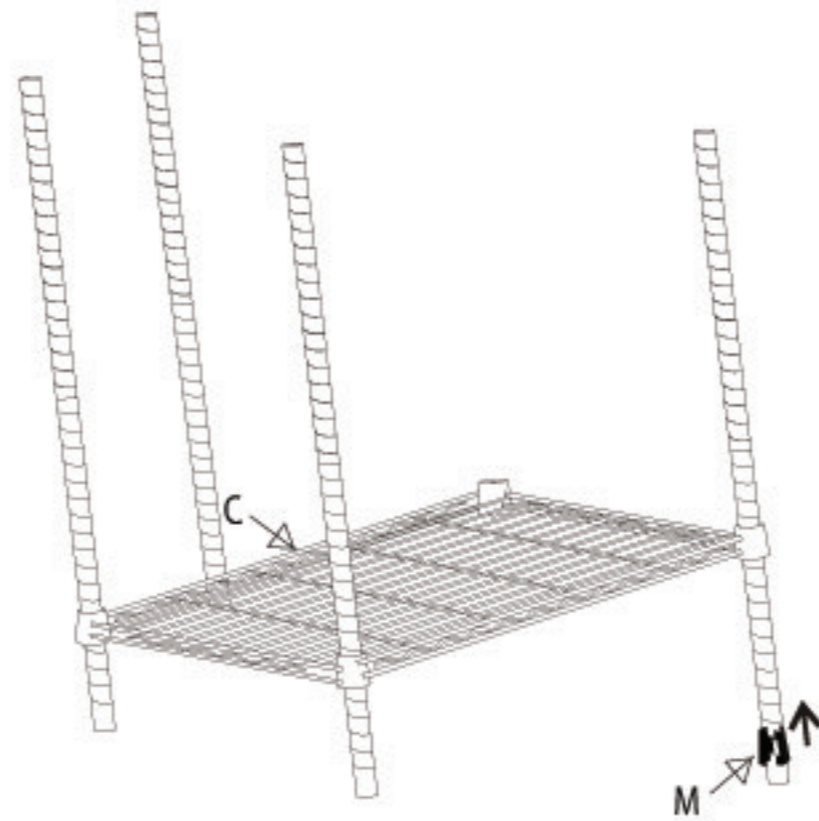


# WIRE SECURITY TRUCK ASSEMBLY INSTRUCTION

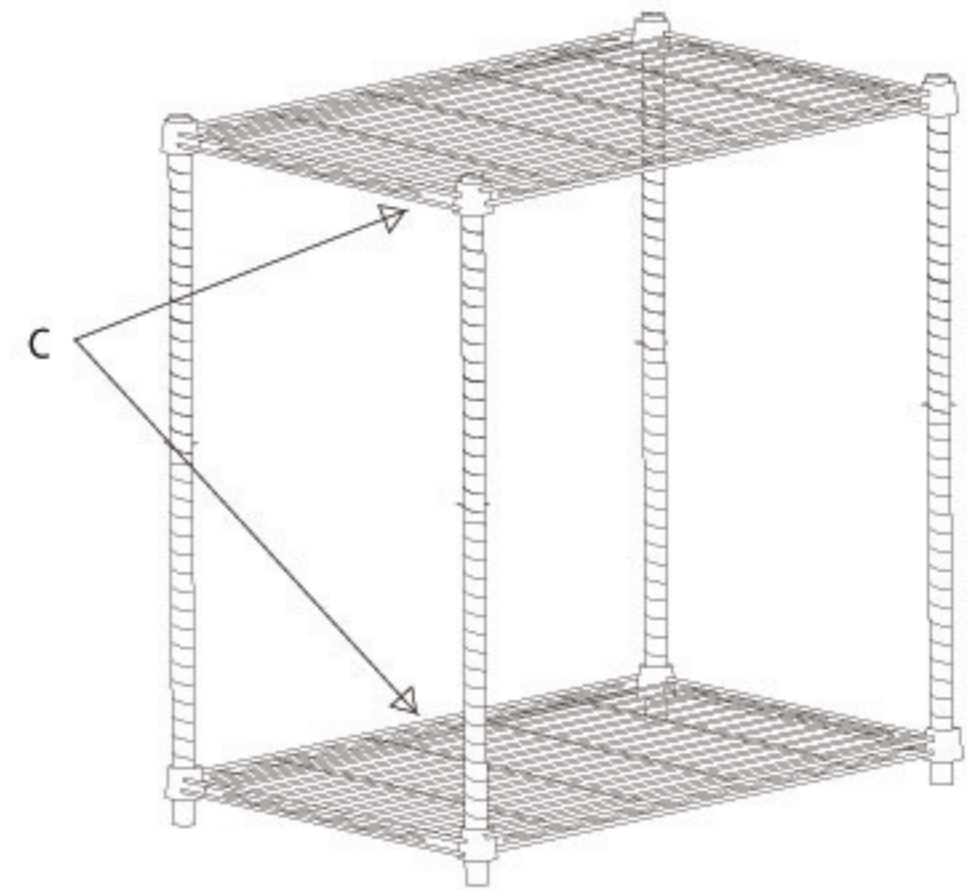
NO.	A	B	C		D	E	F	G
PARTS	Support Post	Door Retaining Clip	Shelf		Rear Panel	Left Door	Right Door	Side Panel
								
QTY.	4PCS	2PCS	2PCS		2PCS	1PCS	1PCS	2PCS
PARTS	H		I	J	K	L	M	N
	Large Security Bracket  (1PCS)  (1PCS)		Small Security Bracket  (2PCS)  (2PCS)	Caster 	Nut 	Washer 	Plastic Split Sleeve 	Plastic Bumper 
Qty.	1 SET		2 SET	4PCS	6PCS	6PCS	10Pairs(2pairs spare parts)	4PCS



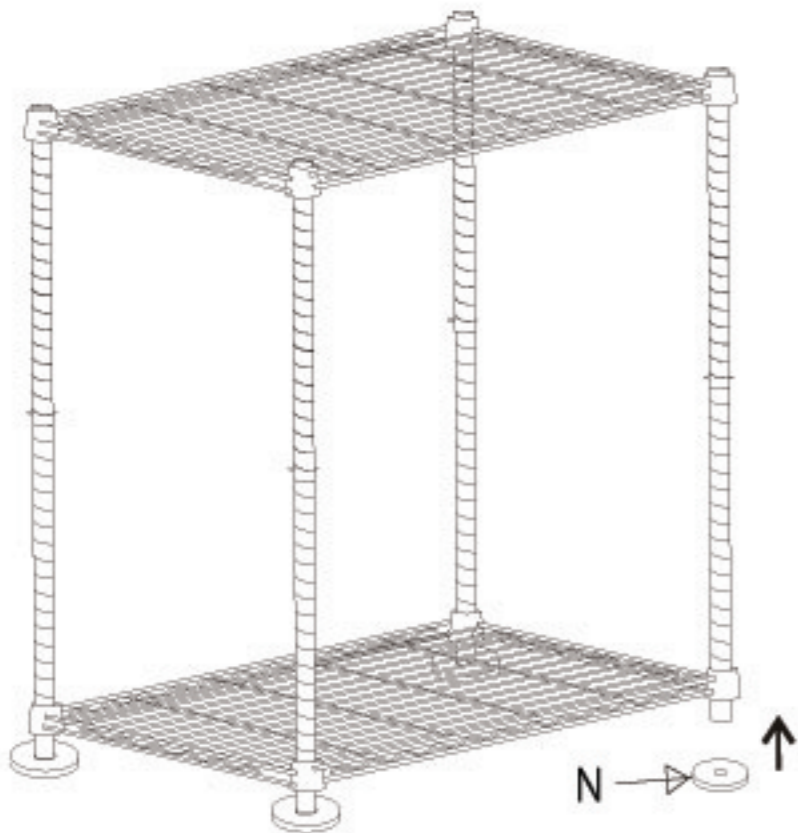
1. Snap Plastic Split Sleeve(M) into 2nd groove from bottom on all 4 posts



2. Place Shelf(C) at top of Support Post (A) and guide down to Plastic Split Sleeve(M) as above picture shows.



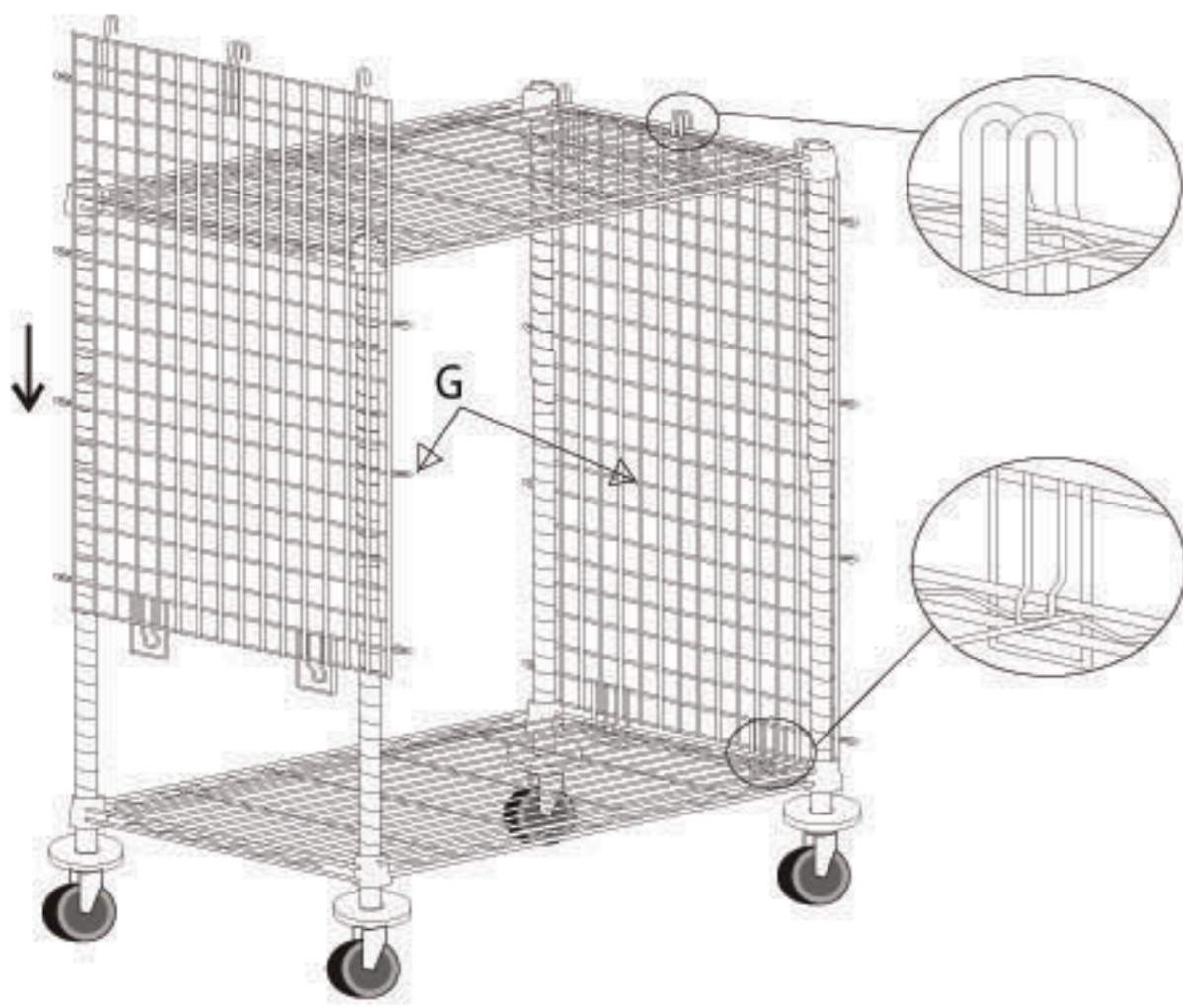
3. Snap Plastic Split Sleeves (M) into upper most to groove on all four support posts , and slide Shelf(C) onto them.



4. As above picture shows, assemble Plastic Bumper (M) with the four posts.



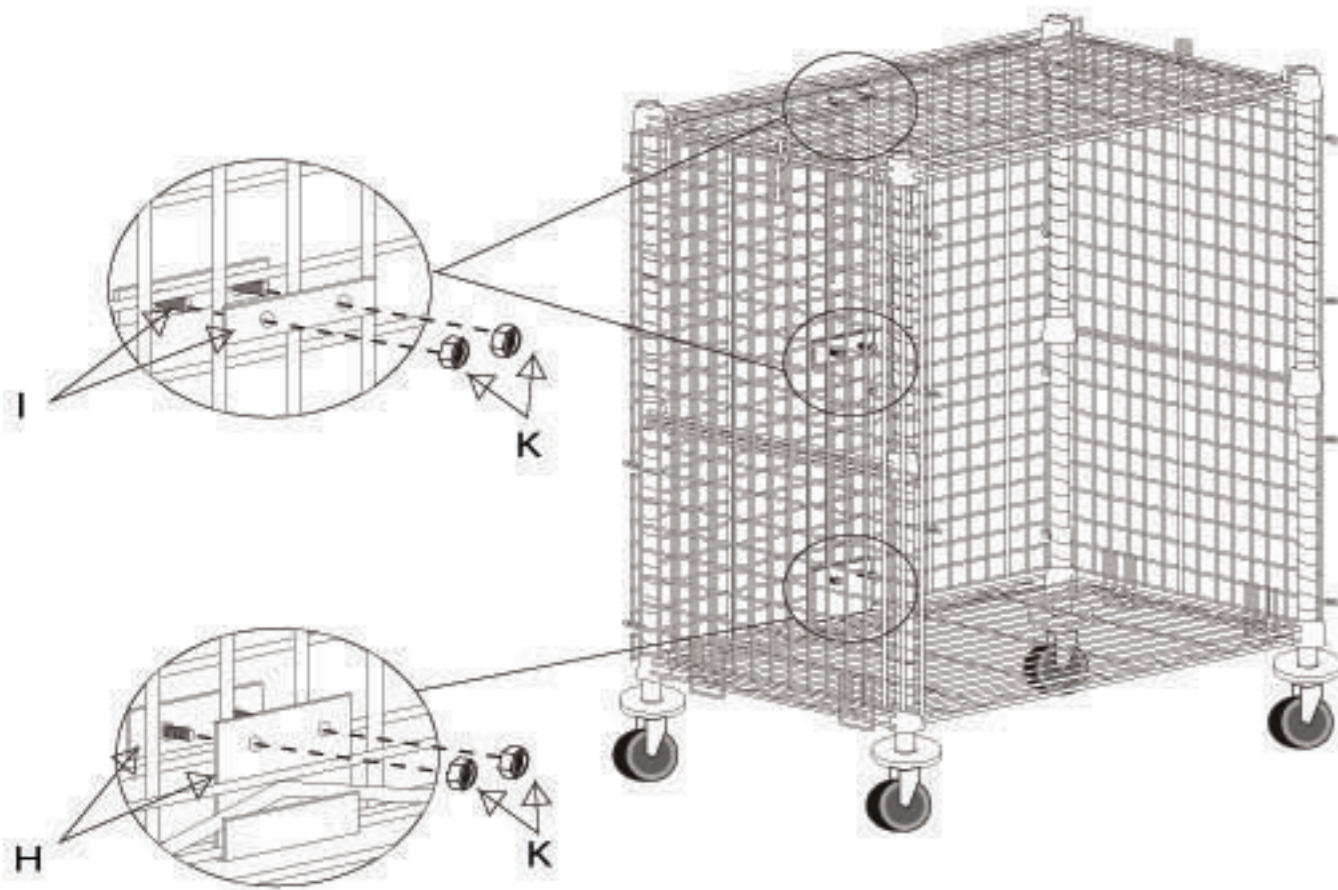
5. Insert Casters(O) into bottom of Support Post (A).



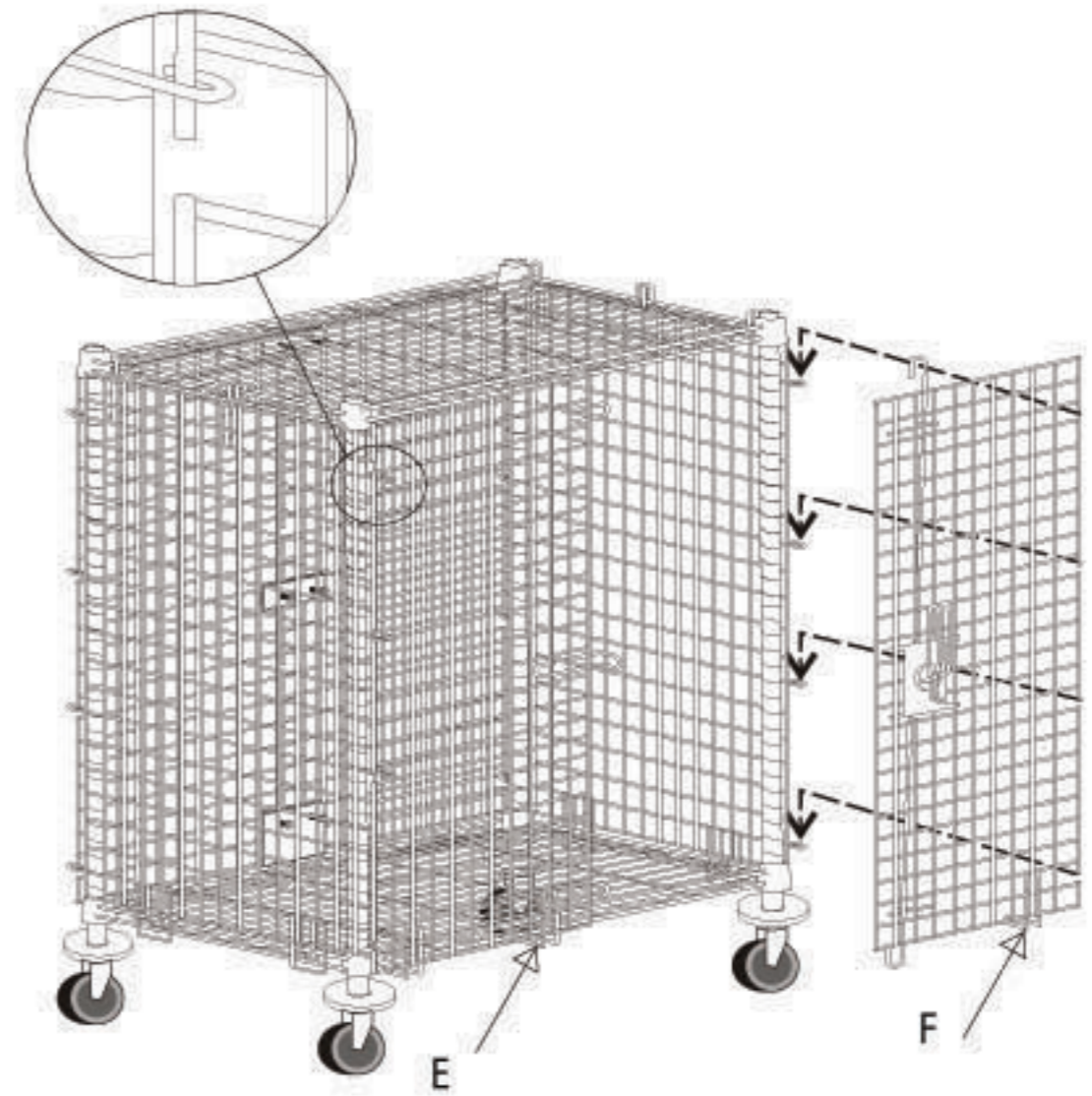
6. As above picture shows, attach Side Panel(G) with the completed part.



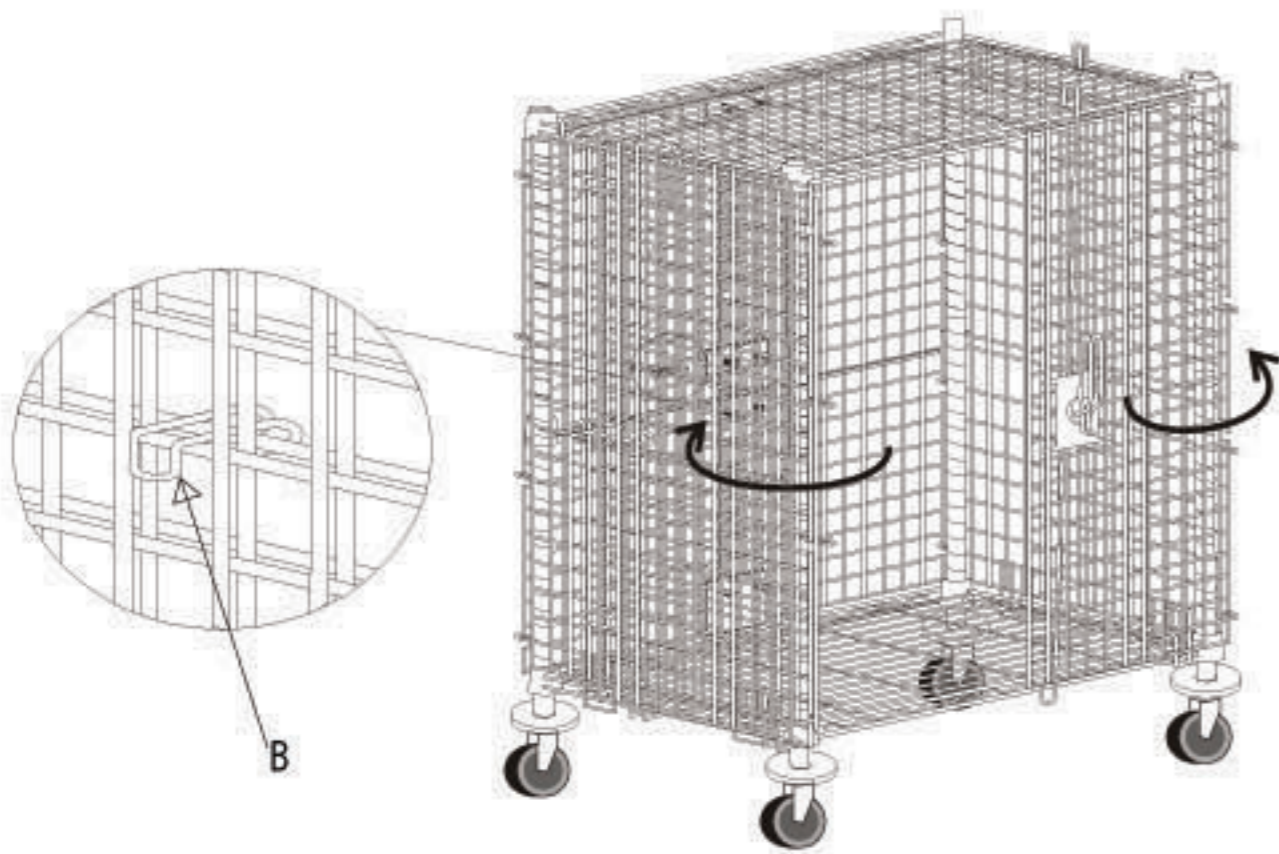
7. As above picture shows, attach Rear Panel(D) with Side Panel(G).



8. Align two Rear Panels tightly : Attach Large Security Bracket(H) with bottom frame wire and with Nuts(K) and Washers (L). Repeat process for Small Security Brackets(I), placing them in top, middle and bottom part of Rear Panel(D) with Nuts(K).



9. As above picture shows, assemble Left Door (E) and Right Door (F) with the completed part.



10. Open Left Door(E) and make Door Retaining Clip (B) engage Side Panel tightly . Repeat process for Right Door (F).



11. It is now ready for use.

### Specification List

SKU#	Product Dimension (INCH)	Maximum Load Capacity (LBS)	Part Numbers													
			A	B	C	D	E	F	G	H	I	J	K	L	M	N
1ECG8	27.25(D)x40.75(W)x68.5(H)	900	1G0210588	1G0210598	MH2436CG	1G0210592	1G0210589	1G0210590	1G0210591	1G0210596	1G0210597	1G0210595	--	--	MHSLEEVEG	1G0210593
1ECG9	27.25(D)x52.75(W)x68.5(H)	900	1G0210588	1G0210598	MH2448CG	1G0210602	1G0210599	1G0210600	1G0210591	1G0210596	1G0210597	1G0210595	--	--	MHSLEEVEG	1G0210593
1ECH1	27.25(D)x65(W)x68.5(H)	900	1G0210588	1G0210598	MH2460CG	1G0210606	1G0210603	1G0210604	1G0210591	1G0210596	1G0210597	1G0210595	--	--	MHSLEEVEG	1G0210593

**WARNING: Maximum load capacity as shown above is equally distributed.**

This security cart may contain NSF certified components, however, the finished and assembled security cart has NOT been certified by NSF for use in food service environments. This product should not be used in food service environments where NSF certification is required.

Manufactured For Grainger International  
Lake Forest, IL 60045  
Made in China