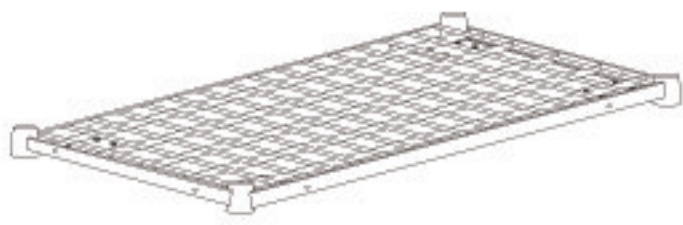
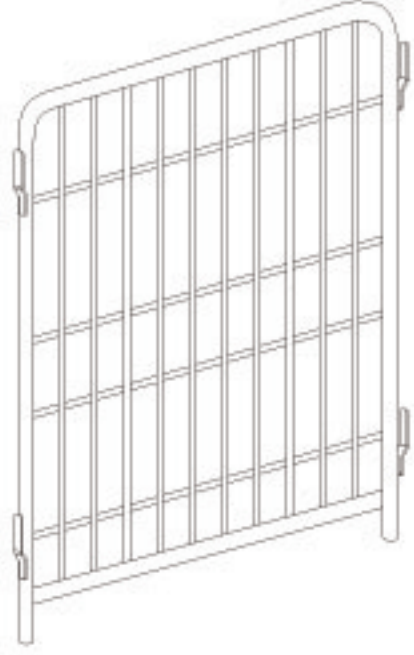
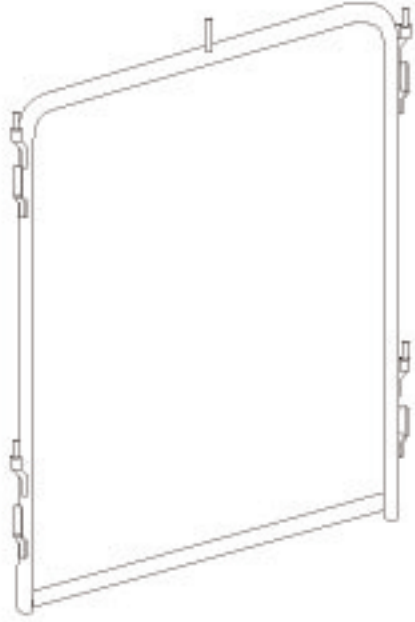

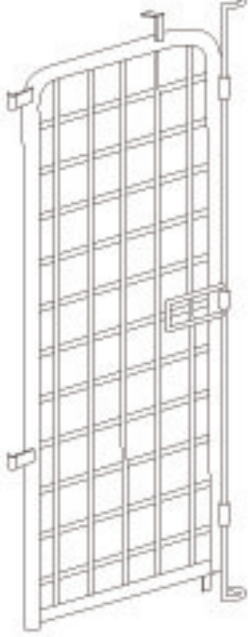

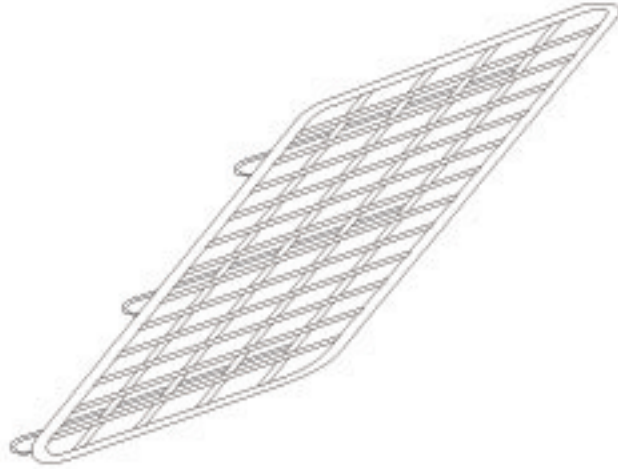
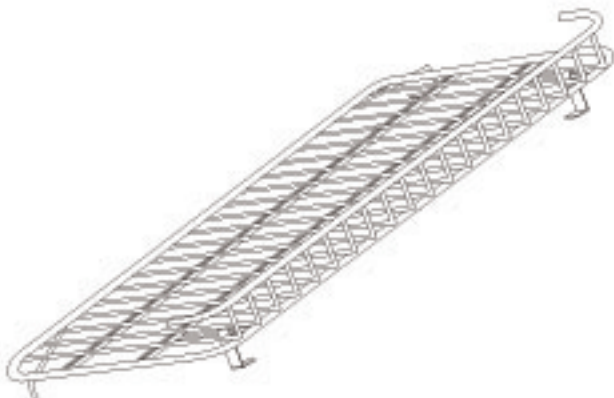





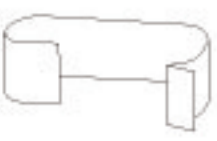
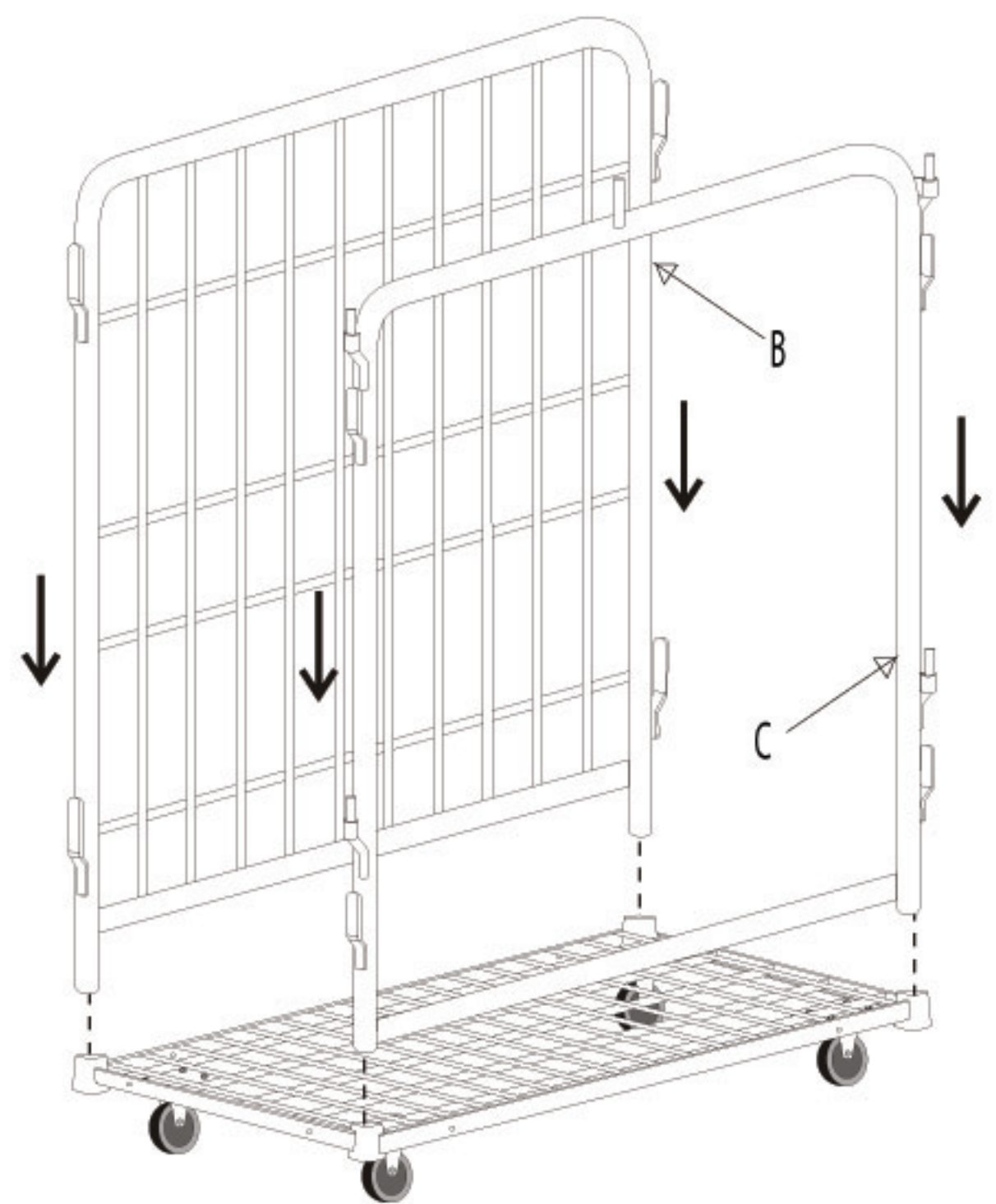
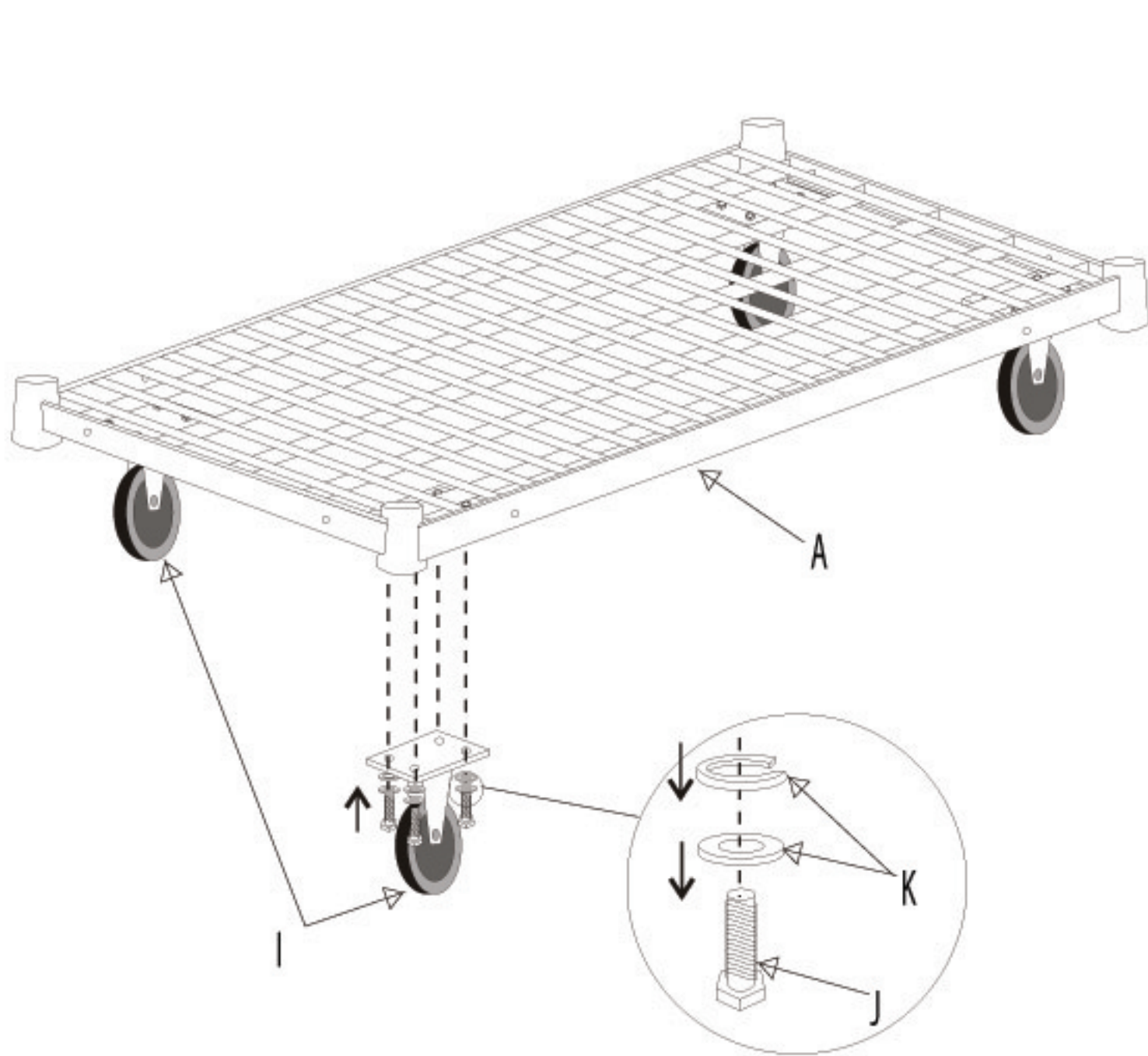


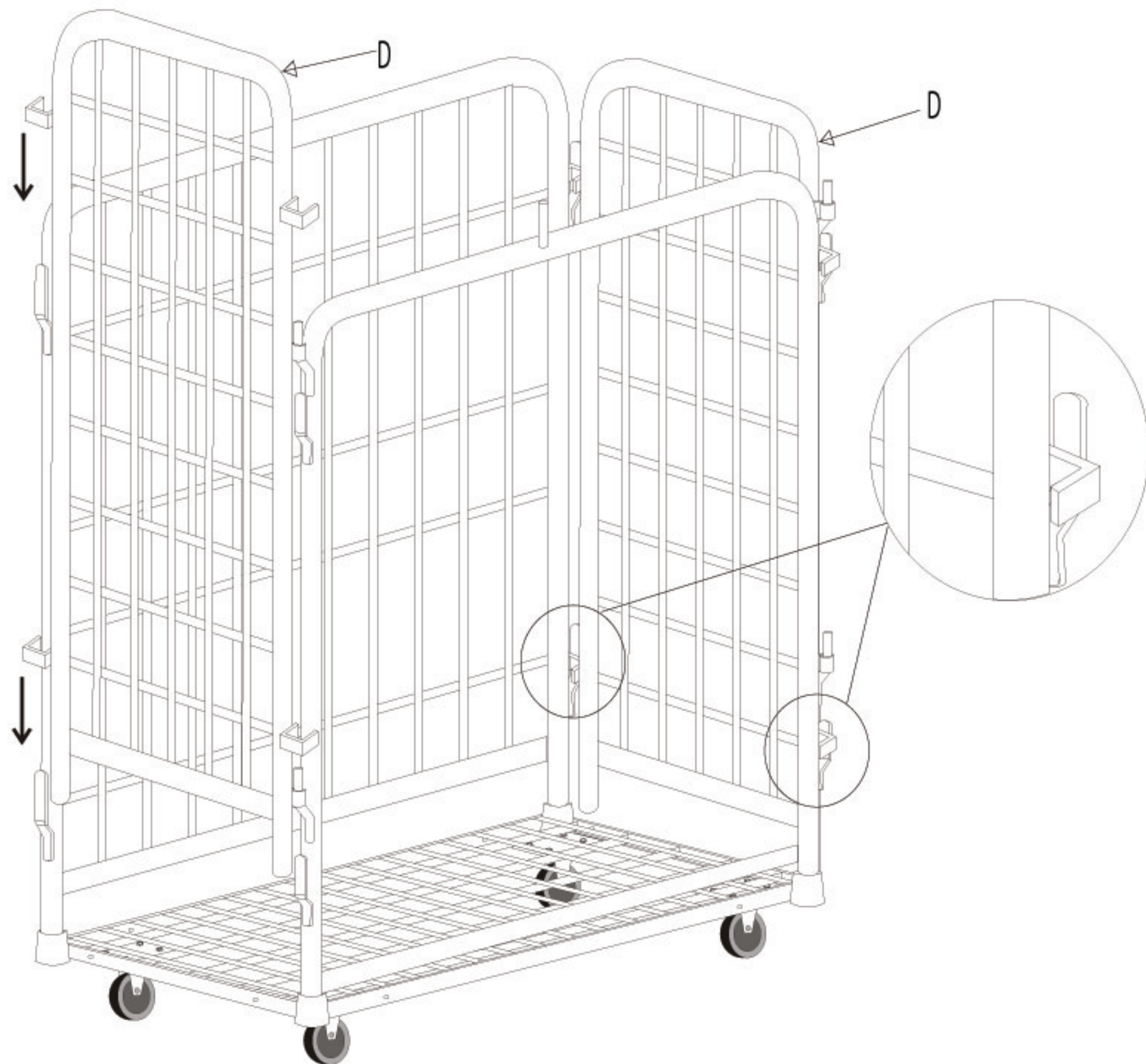
WIRE SECURITY CART ASSEMBLY INSTRUCTION

NO.	A	B	C	D	E	F
PARTS	Bottom Shelf	Rear Frame	Front Frame	Side Frame	Left Door	Right Door
						
Part#	1G0210607	1G0210608	1G0210609	1G0210610	1G0210611	1G0210612
QTY.	1PCS	1PCS	1PCS	2PCS	1PCS	1PCS
NO.	G	H	I	J	K	L
PARTS	Top Shelf	Optional Shelf	Caster	Bolt	Washer	Clip
		 Part# 1ECG7	 1G0210576 (Fixed 2pcs)  1G0210577 (Swivel 2pcs)		 (16PCS)  (16PCS)	
Part#	1G0210613	1ECG7				1G0210578
QTY.	1PCS	1PCS	4PCS	16PCS	32PCS	8PCS

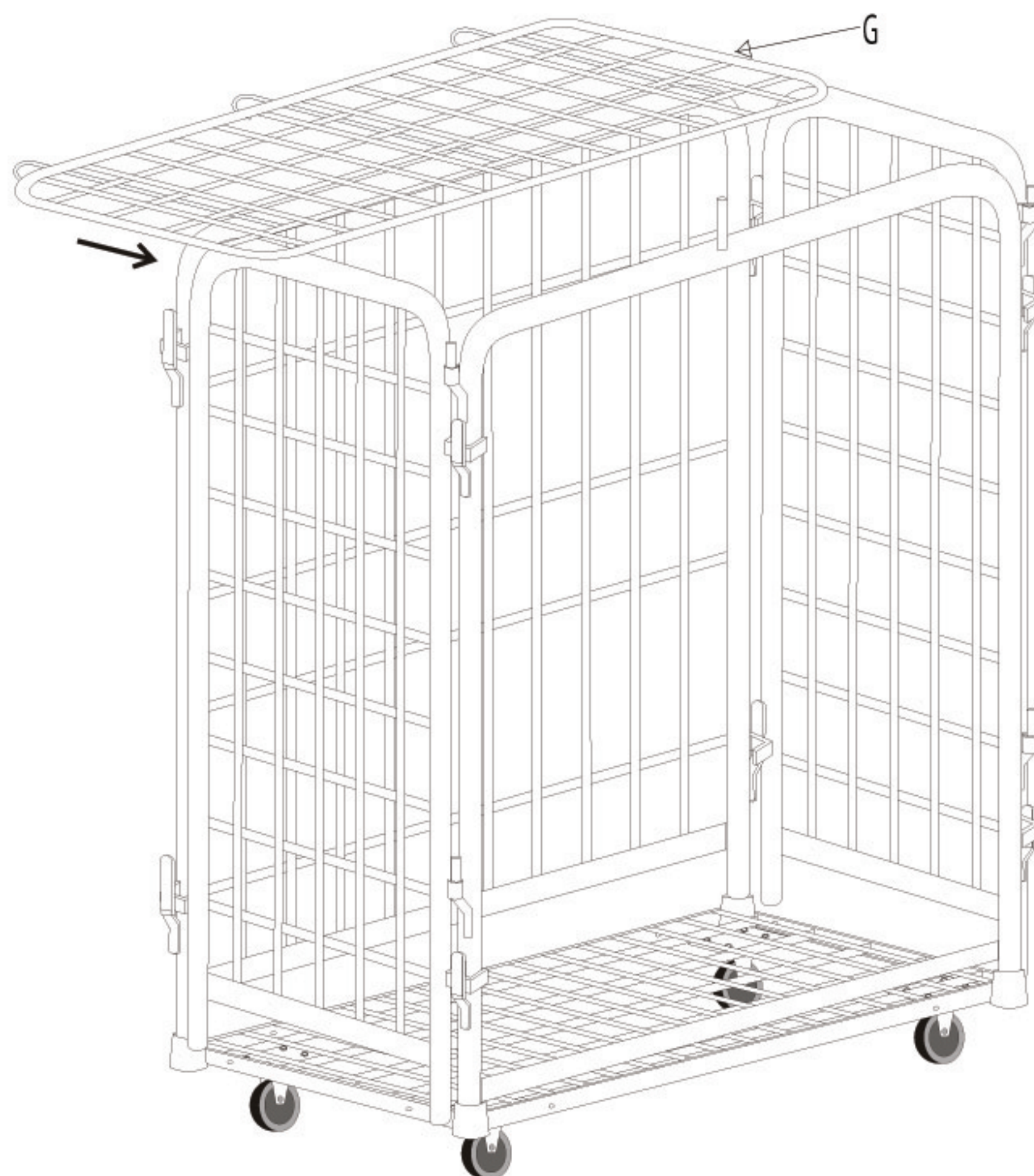


1. Lock Washers (K) onto Top Bolt (J). Assemble Casters(I) and Bottom Shelf(A) using Bolts(J) and Washers (K) .

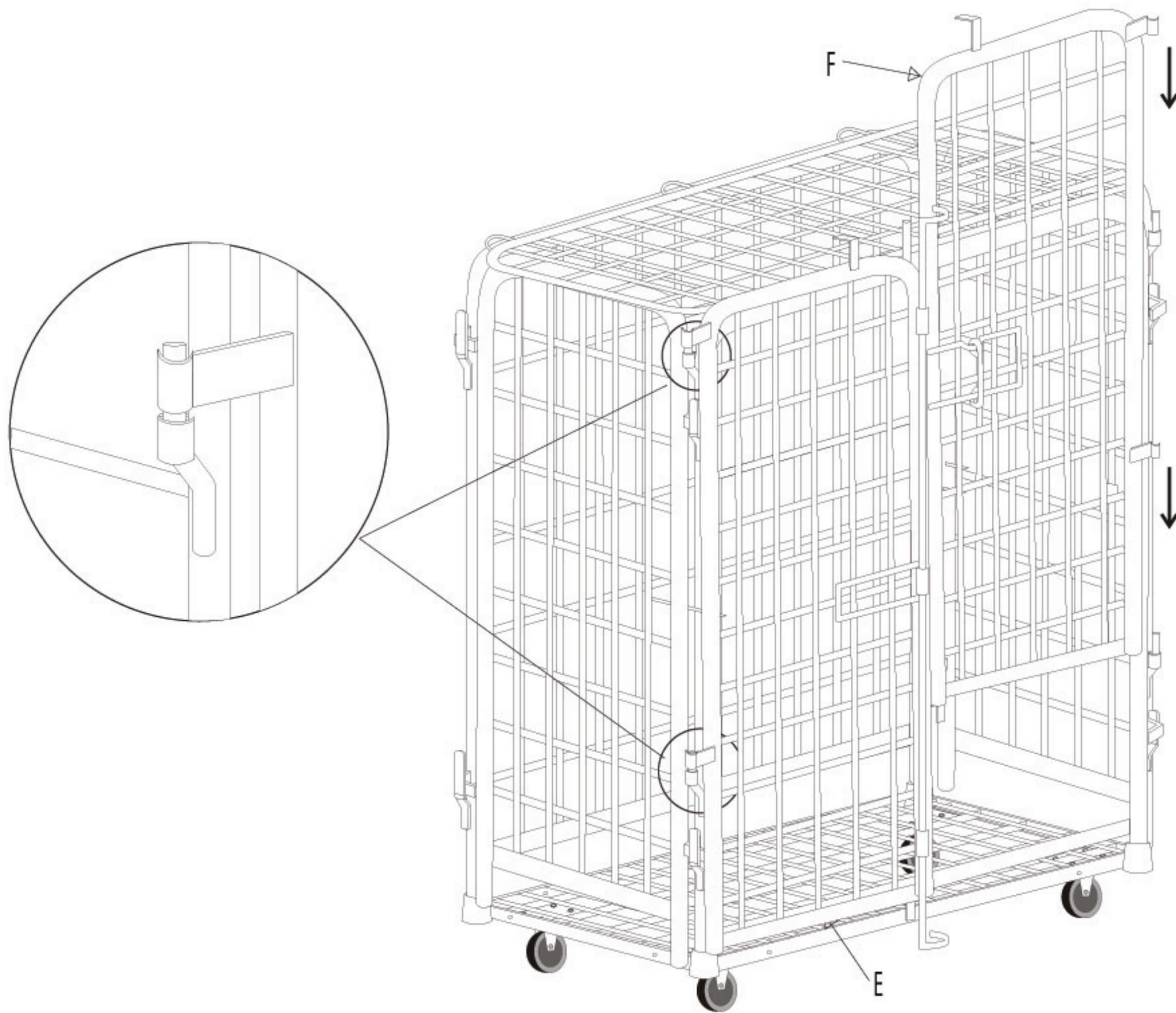
2. Insert Rear Frame(B) and Front Frame(C) into the hinge brackets of Bottom Shelf (A).



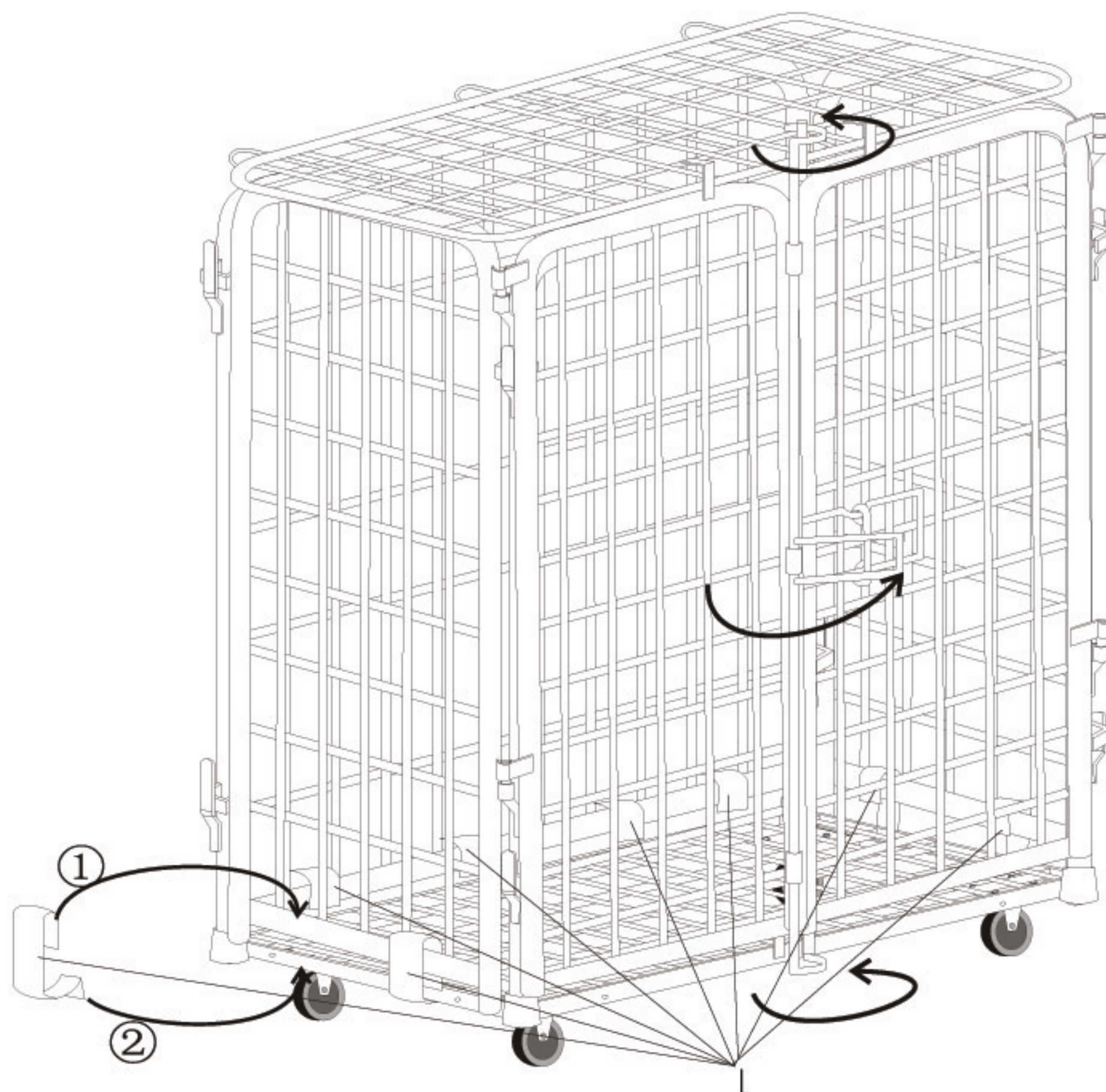
3. Assemble Side Frame(D) with Rear Frame(B) and Front Frame (C). Slide the hooks of Rear Frame (B) into Side Frame (D) tightly.



4. As above picture shows, assemble Top Shelf(G) , making hooks loop over back of Rear Frame(B).



5. Assemble Left Door(E) and Right Door(F) with the completed part as above picture shows.



6. Close Left Door (E) and Right Door (F), making top and bottom hooks of Left Door (E) lock the frame wire by turning the handle . Then as above picture shows, make Clips (L) loop over frame wire.



7. It is now ready for use.

Specification List

SKU#	Product Dimension (INCH)	Maximum Load Capacity (LBS)	Part Numbers												
			A	B	C	D	E	F	G	H	I (swivel)	I (rigid)	J	K	L
1ECG6	24 (D) x 48 (W) x 70 (H)	1800	1G0210607	1G0210608	1G0210609	1G0210610	1G0210611	1G0210612	1G0210613	1ECG7	1G0210577	1G0210576	--	--	1G0210578

WARNING: Maximum load capacity as shown above is equally distributed.

Manufactured For Grainger International
Lake Forest, IL 60045
Made in China