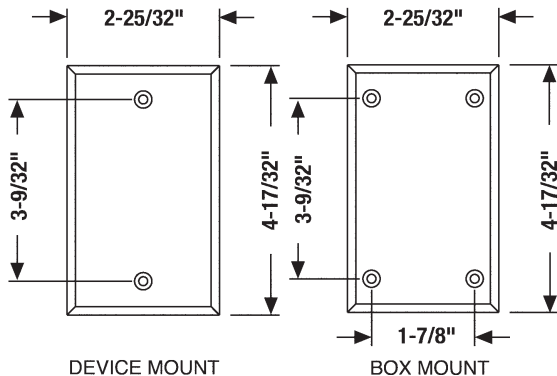
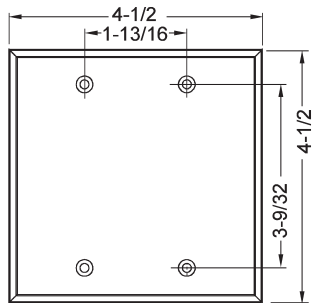


METALLIC BLANK COVERS

SINGLE-GANG BLANK COVERS



TWO-GANG



THREE-GANG

