

Please read and save these instructions, read carefully before attempting to assemble, install, operate or maintain the product described. Protect yourself and others by observing all safety information. Failure to comply with instructions could result in personal injury and/or property damage! Retain instructions for future reference.

Description

This **Vertical Drum Lifter** is designed to attach to a crane or hoist and grab and transport 55 gallon closed head steel drums to other locations.

Unpacking

When unpacking your unit, check carefully for shipping damage, if damage has occurred, file a claim with the delivering carrier within 24 hours. And notify the dealer from whom the unit was purchased. This unit is packed with the carton.

Specifications

Model	12R539
Max. Weight Capacity	1000 Lbs.
Drum Type Lifted	55 gallon closed head steel drum
Net Weight	65 Lbs.
Overall Dimension	H=18-1/2", W=33", D=8"



Figure 1

General Safety Information

WARNING: This vertical drum lifter is intended for specific functions. Please adhere to the following instructions to ensure proper use.

- (1) Maximum capacity including drum: 1000 Lbs.
- (2) The drum lifter is designed for use only with closed head 55 gallon steel drums. Do not use on open head steel drums or any type of fiber or plastic drums.
- (3) Adhere to safety instructions covering the mechanism that will lift the drum lifter. Be sure that use of the drum lifter is safe with your equipment.

- (4) Make sure the drum lifter is centered over drum before engaging. Once lifter is correctly aligned, keep hands clear of unit when using.
- (5) Align hoist for a straight line pull centered over load. Do not try side pulls.
- (6) Never leave the drum lifter with a load suspended in the air unattended.
- (7) Never transport any loads over people.
- (8) Periodically inspect the unit for damaged and/or loose hardware. If found, remove the drum lifter from service until repaired.
- (9) Never attempt a repair when a drum is engaged.
- (10) Use only genuine replacement parts from this manual when servicing.

Operation

- (1) Hang the Vertical Drum Lifter from the lifting device (hoist etc.) from the hole in the center of the lifting plate. See Figure 2 below.
- (2) To engage the drum, the grab arms must be in the open position (Figure 2). If arms are not open, lower the unit completely to the floor until the hoist is loose. Lift the unit up again and the arms should open automatically. If not, lower the unit again and check the latch assembly for proper alignment and tightness.
- (3) With grab arms open, lower unit over center of drum until lifting plate (item 4 on Figure 4) touches base assembly (item 1 on Figure 4).
- (4) Keep hands clear and raise hoist. Unit will automatically engage drum and lift it. (Figure 3)
- (5) Move carefully to desired location. Lower again until lifting plate touches base assembly and raise hoist. Unit will automatically open and lift free of drum.

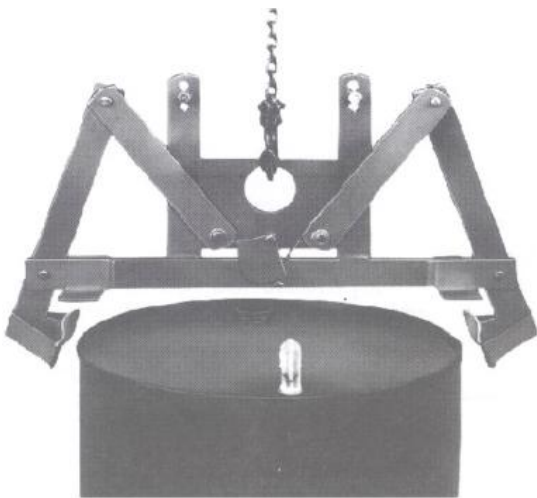


Figure 2

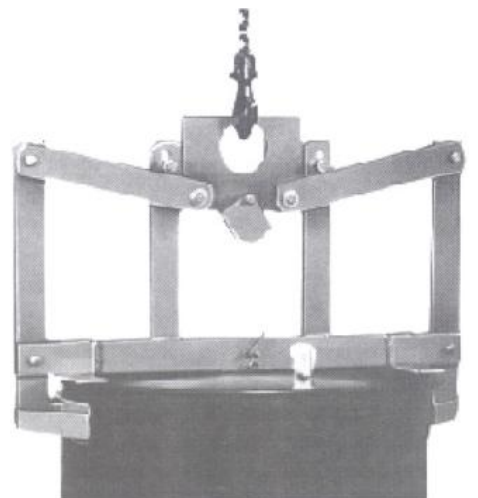


Figure 3

Maintenance

- (1) Lubricate moving parts periodically.
- (2) Check bolts and nuts frequently for tightness.

Exploded view and Parts list

Item	Part No	Qty	Description
1	DLGV500-00	1	Base Assembly
2	DLGV500-02A-00	2	Saddle Arm Assembly
3	DLGV500-02-03	4	Link
4	DLGV500-02-01	1	Lifting Plate
5	DLGV500-02-02-01	1	Latch Assembly
6	DLGV500-02-05	6	Clevis Pin
7	GB5783-86	2	Hex, Bolt M12x50
8	DLGV500-01-07	4	Washer 12
9	GB97-85	2	Spring Washer 12
10	GB6170-86	2	Nut M12
11	GB5783-86	1	Hex. Bolt M10x55
12	GB6170-86	1	Nut M10
13	GB91/T-2000	1	Clip pin

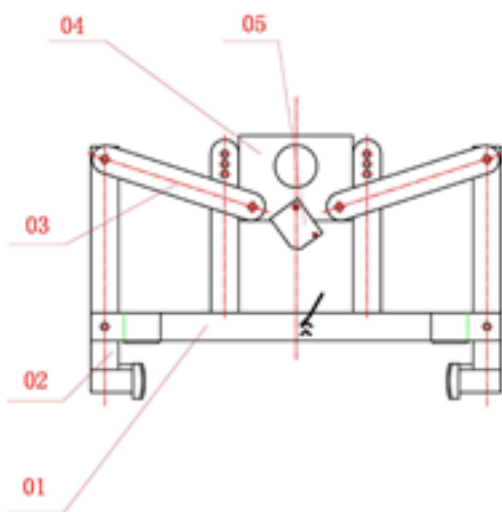


Figure 4
Front view

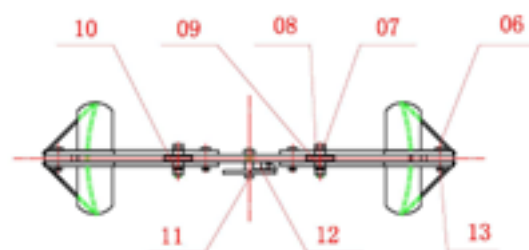


Figure 5
Bottom view